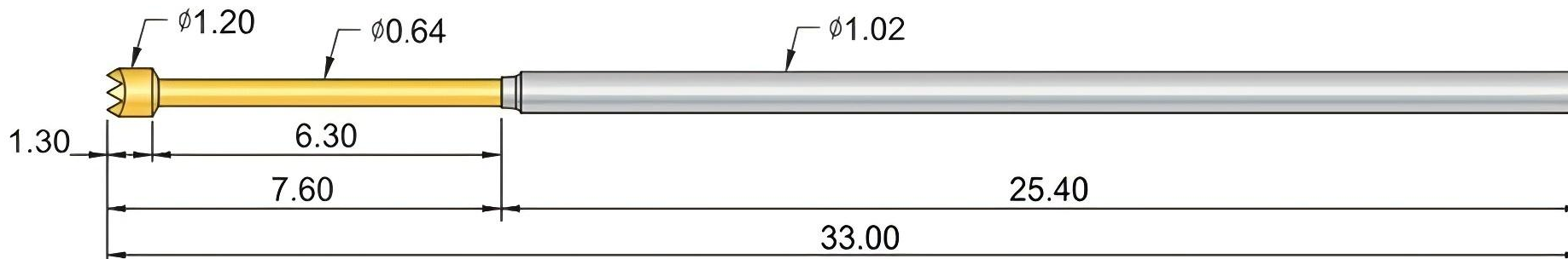


PROBE



技术要求 ( Technical Specifications ) :	
额定电流 ( Current Rating )	3A
接触电阻 ( Contact Resistance )	30 milliohm max
行程弹力 ( Spring Force at Stroke )	2N(200gf),3N(300gf)

材质 (Materials) :	
针杆 (Plunger)	SK4/BeCu,gold-plated
针管 (Barrel)	Ni-Ag/Ph. Nickel/gold-plated
弹簧 (Spring)	SWP,gold-plated

成品型号 ( Product Type ) :	
订购举例:SQ075-2501-2N	

SQ075-01	SQ075-03	SQ075-05	SQ075-06	SQ075-07
SQ075-08	SQ075-09	SQ075-10	SQ075-18	SQ075-22
SQ075-24	SQ075-34	SQ075-40	SQ075-41	SQ075-43
SQ075-44	SQ075-51	SQ075-53	SQ075-54	SQ075-55
SQ075-58	SQ075-61	SQ075-63	SQ075-74	SQ075-84



**PEXON**

E-mail: [sale@pinconnector.com](mailto:sale@pinconnector.com)

WhatsApp: +86-13361867201

[www.pinconnector.com](http://www.pinconnector.com)