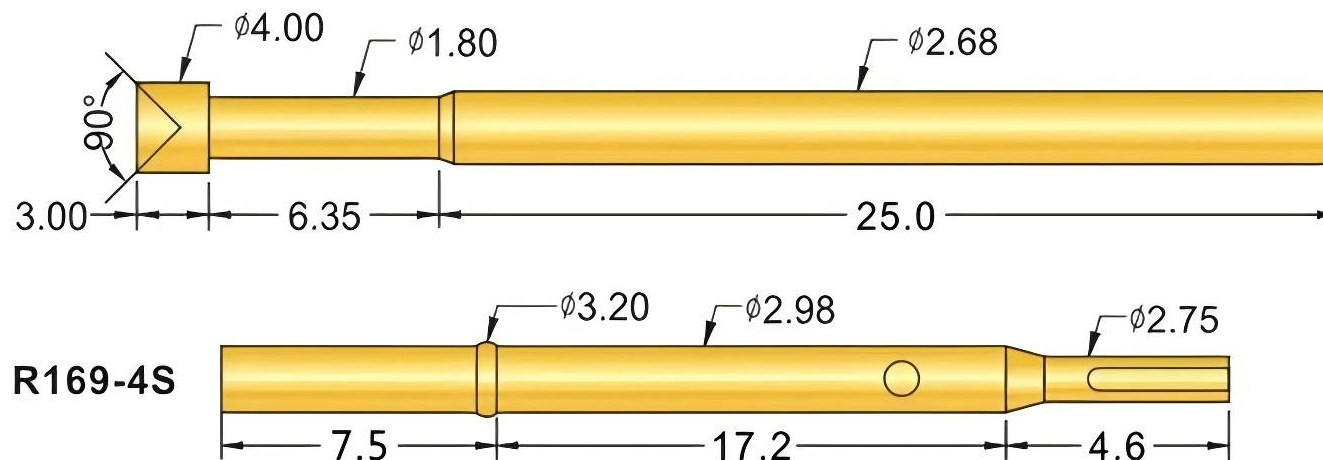


PROBE



|         |         |
|---------|---------|
| SP169-B | SP169-D |
|         |         |
| SP169-H | SP169-Q |
|         |         |

成品型号 (Product Type) :

SP169-A-6N  
系列 规格 头型 弹力

订购举例: SP169-A-6N

技术要求 ( Technical Specifications ) :

|                                 |             |
|---------------------------------|-------------|
| 钻孔尺寸 ( Hole Size )              | 3.0mm       |
| 额定电流 ( Current Rating )         | 5A          |
| 接触电阻 ( Contact Resistance )     | 50 milliohm |
| 行程弹力 ( Spring Force at Stroke ) | 6N(600gf)   |

材质 (Materials) :

|                 |                            |                                |
|-----------------|----------------------------|--------------------------------|
| 针管 (Barrel)     | Brass, gold-plated         |                                |
| 弹簧 (Spring)     | Stainless Steel Wire       |                                |
| 针套 (Receptacle) | Brass, gold-plated         |                                |
| 针杆 (Plunger)    | 国产料 ( Domestic Materials ) | Ph, Nickel-plated              |
|                 | 进口料 ( Imported materials ) | BeCu or SK4, Rh or gold-plated |



**PEXON**

E-mail: [sale@pinconnector.com](mailto:sale@pinconnector.com)

WhatsApp: +86-13361867201

[www.pinconnector.com](http://www.pinconnector.com)