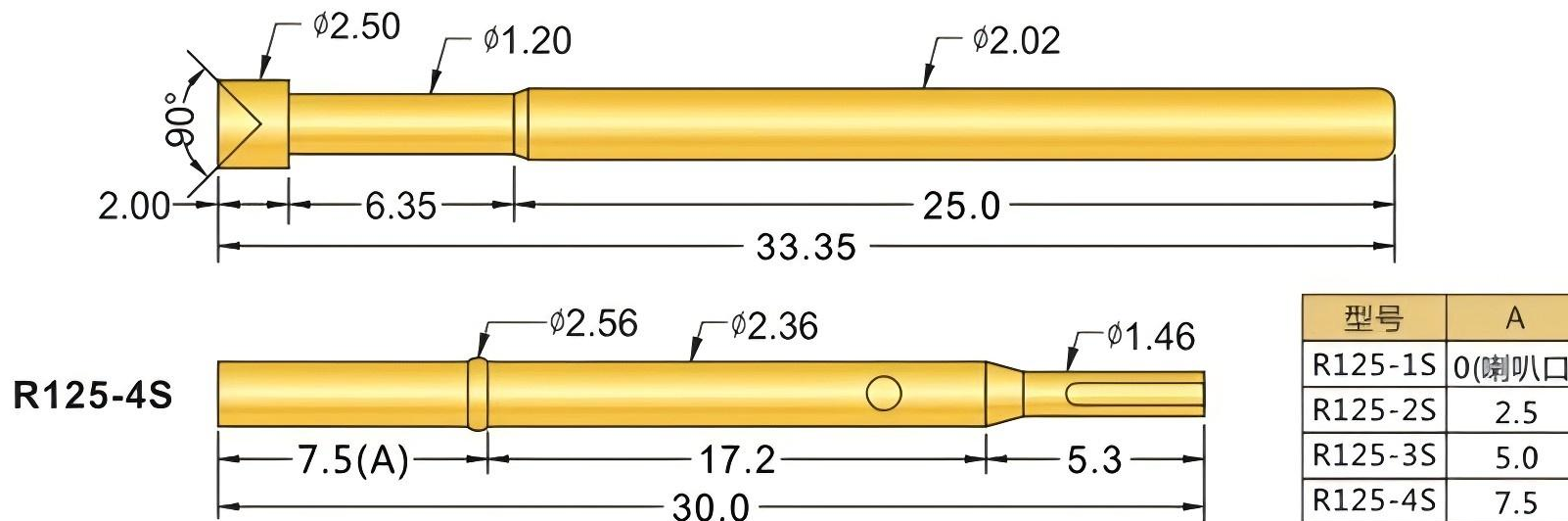


PROBE



技术要求 ( Technical Specifications ) :	
钻孔尺寸 ( Hole Size )	2.4mm
额定电流 ( Current Rating )	5A
接触电阻 ( Contact Resistance )	50 milliohm
行程弹力 ( Spring Force at Stroke )	1.8N(180gf),3.5N(350gf) <small>(括号内为定制品)</small>

材质 (Materials) :		
针管 (Barrel)	Brass, gold-plated	
弹簧 (Spring)	Stainless Steel Wire	
针套 (Receptacle)	Brass, gold-plated	
针杆 (Plunger)	国产料 ( Domestic Materials )	Ph, Nickel-plated
	进口料 ( Imported materials )	BeCu or SK4, Rh or gold-plated

SP125-B	SP125-D
SP125-H	SP125-Q
SP125-1Q	SP125-T

成品型号 ( Product Type ) :

SP125-A-1.8N  
 系列 规格 头型 弹力  
 订购举例: SP125-A-1.8N



**PEXON**

E-mail: [sale@pinconnector.com](mailto:sale@pinconnector.com)

WhatsApp: +86-13361867201

[www.pinconnector.com](http://www.pinconnector.com)