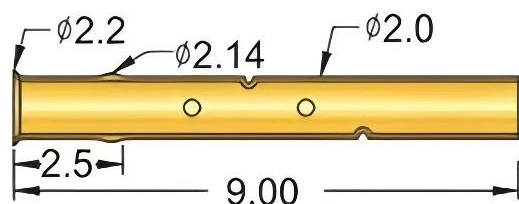
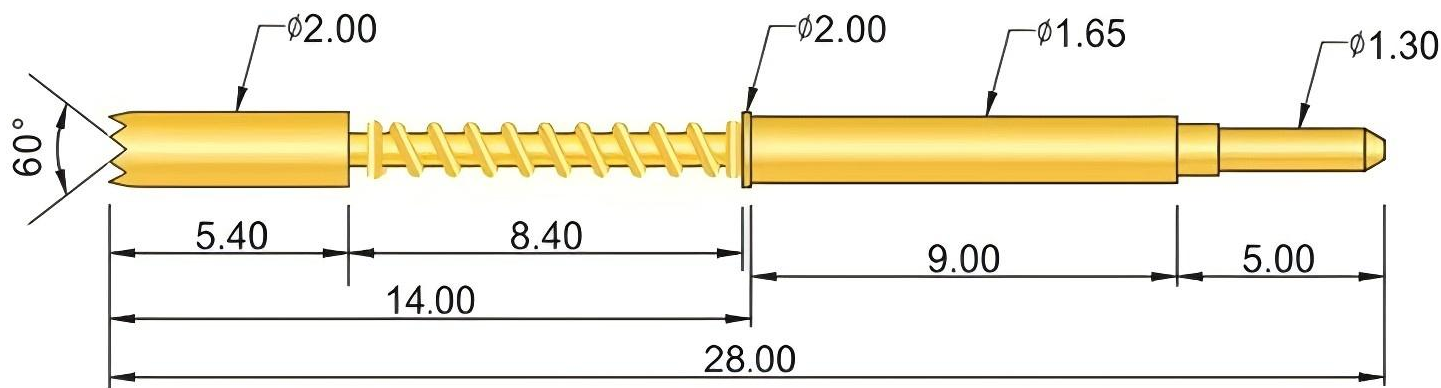


PROBE



R1052-1C

PH-1052-A	PH-1052-G
PH-1052-H	PH-1052-LM

材质 (Materials) :	
针杆 (Plunger)	BeCu or SK4, gold-plated
针管 (Barrel)	Brass, gold-plated
弹簧 (Spring)	SUS
针套 (Receptacle)	Brass, gold-plated
焊接片 (Soldering Pad)	Brass, gold-plated
满行程弹力 (Spring Force at Full Stroke)	(200g)250g(350g)(400g)
钻孔尺寸 (Hole Size)	1.65mm(or 2.05mm) <small>(括号内为定制品)</small>
成品型号 (Product Type) :	
<p>PH-1052-H200-250g-S(G)</p> <p>系列 规格 头型 头型外径 弹力 针头材质 镀层材质</p>	
订购举例: PH-1052-H200-250g-S(G)	



PEXON

E-mail: sale@pinconnector.com

WhatsApp: +86-13361867201

www.pinconnector.com