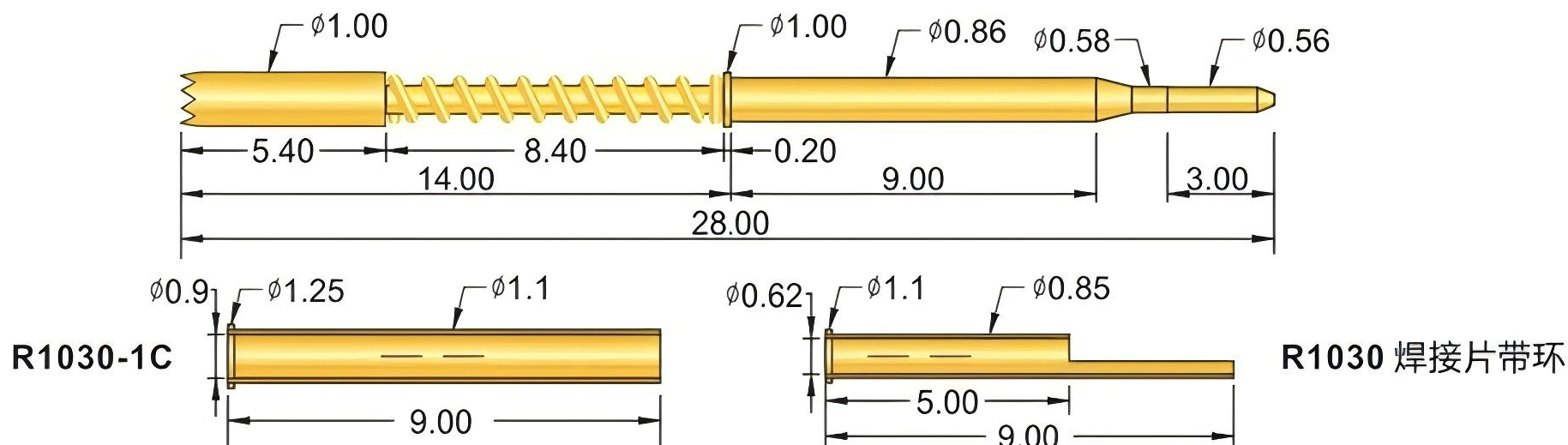


PROBE



材质 (Materials) :	
针杆 (Plunger)	BeCu or SK4, gold-plated
针管 (Barrel)	Brass, gold-plated
弹簧 (Spring)	SUS
针套 (Receptacle)	Brass, gold-plated
焊接片 (Soldering Pad)	Brass, gold-plated
满行程弹力 (Spring Force at Full Stroke)	100g(150g) <small>(括号内为定制品)</small>
钻孔尺寸 (Hole Size)	0.85mm(or 1.10mm) <small>(另有PH103S/PH-1033/R1033供应)</small>

PH-1030-B	PH-1030-F
PH-1030-G	PH-1030-H
PH-1030-J	PH-1030-Q

成品型号 (Product Type) :	
<p>PH-1030-H100-100g-S(G)</p> <p>系列 规格 头型 头型外径 弹力 针头材质 镀层材质</p>	订购举例:PH-1030-H100-100g-S(G)



**PEXON**

E-mail: [sale@pinconnector.com](mailto:sale@pinconnector.com)

WhatsApp: +86-13361867201

[www.pinconnector.com](http://www.pinconnector.com)