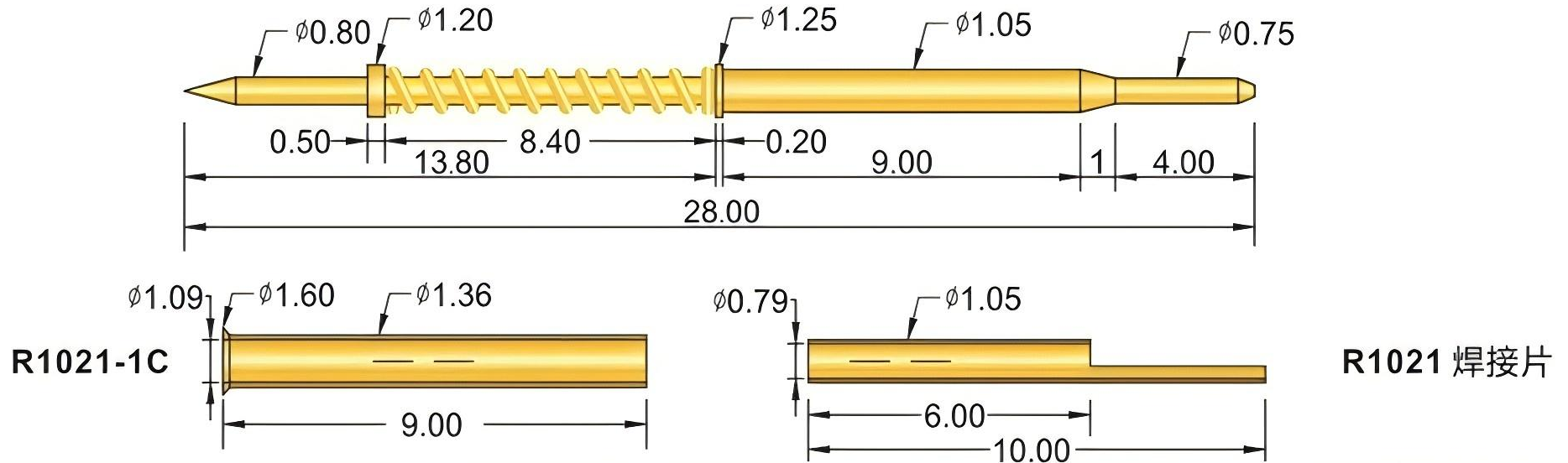


PROBE



材质 (Materials) :	
针杆 (Plunger)	BeCu or SK4, gold-plated
针管 (Barrel)	Brass, gold-plated
弹簧 (Spring)	SUS
针套 (Receptacle)	Brass, gold-plated
焊接片 (Soldering Pad)	Brass, gold-plated
满行程弹力 (Spring Force at Full Stroke)	(60g)150g
钻孔尺寸 (Hole Size)	1.05mm(or 1.35mm) <small>(括号内为定制品, 另有PH1021S供应)</small>

PH-1021-B	PH-1021-LM
PH-1021-D	PH-1021-M3
PH-1021-H	PH-1021-Q

成品型号 (Product Type) :	
<p>PH-1021-B080-150g-S(G)</p> <p>系列 规格 头型 头型外径 弹力 针头材质 镀层材质</p>	订购举例: PH-1021-B080-150g-S(G)



PEXON

E-mail: sale@pinconnector.com

WhatsApp: +86-13361867201

www.pinconnector.com