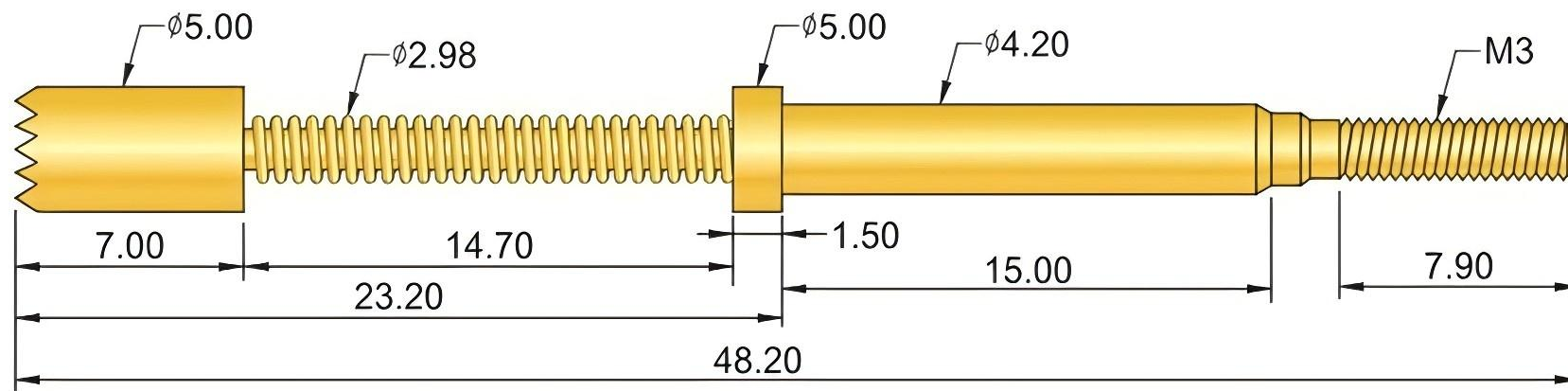


PROBE

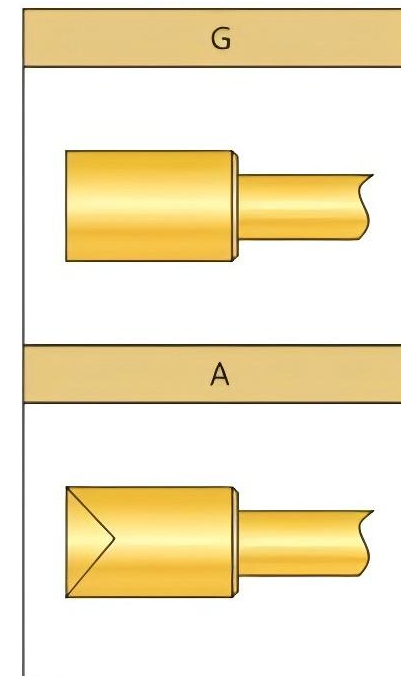


### 技术要求 ( Technical Specifications ) :

最大电流 ( Maximum Current )	15A
接触电阻 ( Contact Resistance )	<12 milliohm
行程 ( Stroke )	7.7mm
工作弹力 ( Spring Force at Work )	650g(1000g)(1800g) <small>(括号内为定制品)</small>

### 材质 ( Materials ) :

针头 (Plunger)	Brass,gold-plated
针杆 (Plunger)	SK4,gold-plated
针管 (Barrel)	Brass,gold-plated
弹簧 (Spring)	SUS





**PEXON**

E-mail: [sale@pinconnector.com](mailto:sale@pinconnector.com)

WhatsApp: +86-13361867201

[www.pinconnector.com](http://www.pinconnector.com)