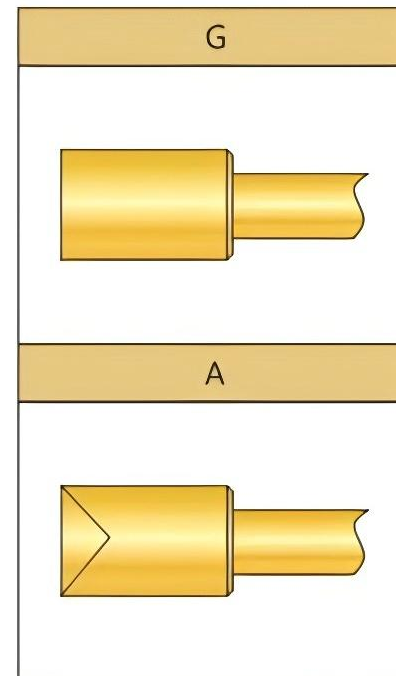


技术要求 (Technical Specifications) :

最大电流 (Maximum Current)	12A
接触电阻 (Contact Resistance)	<15 milliohm
行程 (Stroke)	7.7mm
工作弹力 (Spring Force at Work)	(200g)480g <small>(括号内为定制品)</small>

材质 (Materials) :

针头 (Plunger)	Brass,gold-plated
针杆 (Plunger)	SK4,gold-plated
针管 (Barrel)	Brass,gold-plated
弹簧 (Spring)	SUS





PEXON

E-mail: sale@pinconnector.com

WhatsApp: +86-13361867201

www.pinconnector.com