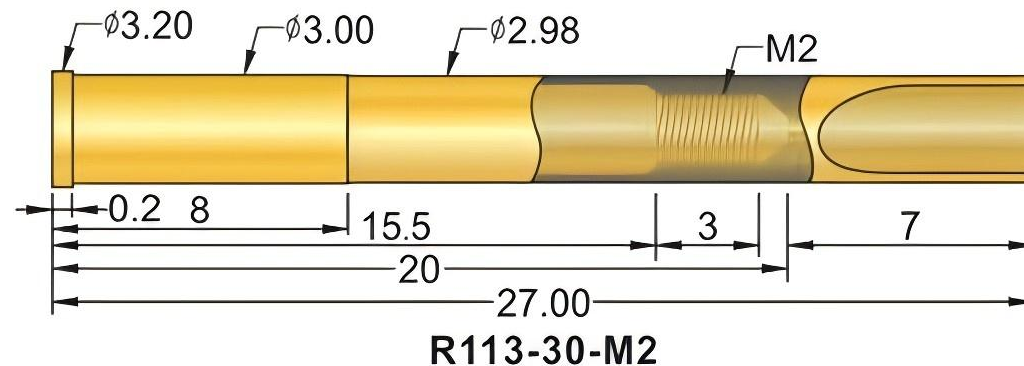
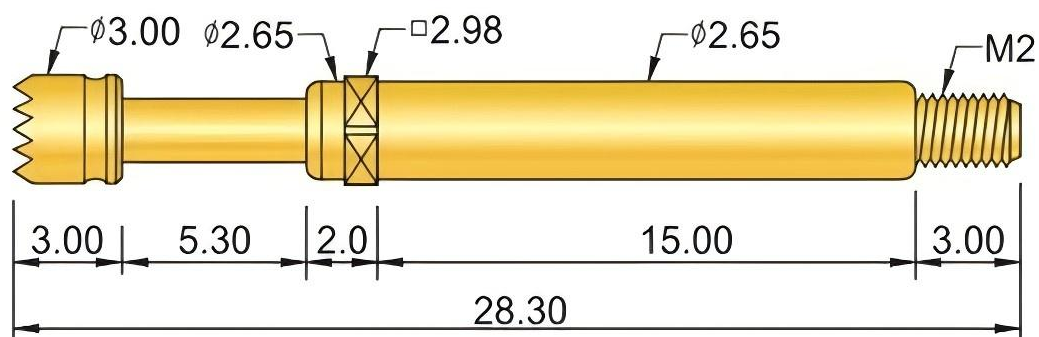


PROBE



A	B
H	LM

技术要求 (Technical Specifications) :	
最大电流 (Maximum Current)	24A
接触电阻 (Contact Resistance)	<10 milliohm
满行程 (Full Stroke)	5.3mm
工作行程 (Work. Stroke)	4.0mm
工作弹力 (Spring Force at Work)	230g(300g) <small>(括号内为定制品)</small>
材质 (Materials) :	
针杆 (Plunger)	BeCu ,gold-plated
针管 (Barrel)	Brass,gold-plated
弹簧 (Spring)	SUS
套管 (Receptacle)	Brass,gold-plated



PEXON

E-mail: sale@pinconnector.com

WhatsApp: +86-13361867201

www.pinconnector.com