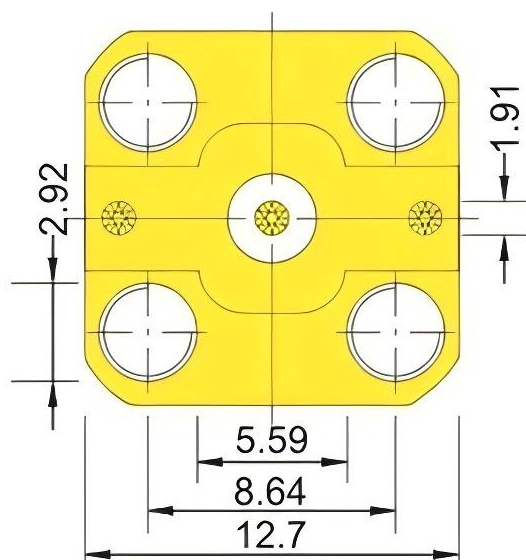


内装有3支探针
SP075-225-N120-2N



材质 (Materials) :		技术要求 (Technical Specifications) :	
针座 (Base)	Brass, gold-plated	工作行程 (Work. Stroke)	4.30mm
针座内芯 (Inner Core of Base)	Teflon	最大行程 (Maximum Stroke)	6.35mm
针杆 (Plunger)	BeCu or SK4, gold-plated	2/3行程弹力 (Spring Force at Work. Stroke)	2.0N(200g)
针管 (Barrel)	Ph, gold-plated	可选弹力	2.8N(280g)
弹簧 (Spring)	Music Wire		

电气性能 (Electrical Properties) :	
最大电流 (Maximum Current)	3-4A
接触电阻 (Contact Resistance)	<50 milliohm
最小回路损耗 (Minimum Loop Loss)	1GHZ@-23dB, 1GHZ@-26dB
最大输入损耗 (Maximum Input Loss)	1GHZ@-0.12dB, 1GHZ@-0.06dB
最大VSWR (Maximum VSWR)	1.15:1 , 1.11 : 1



PEXON

E-mail: sale@pinconnector.com

WhatsApp: +86-13361867201

www.pinconnector.com