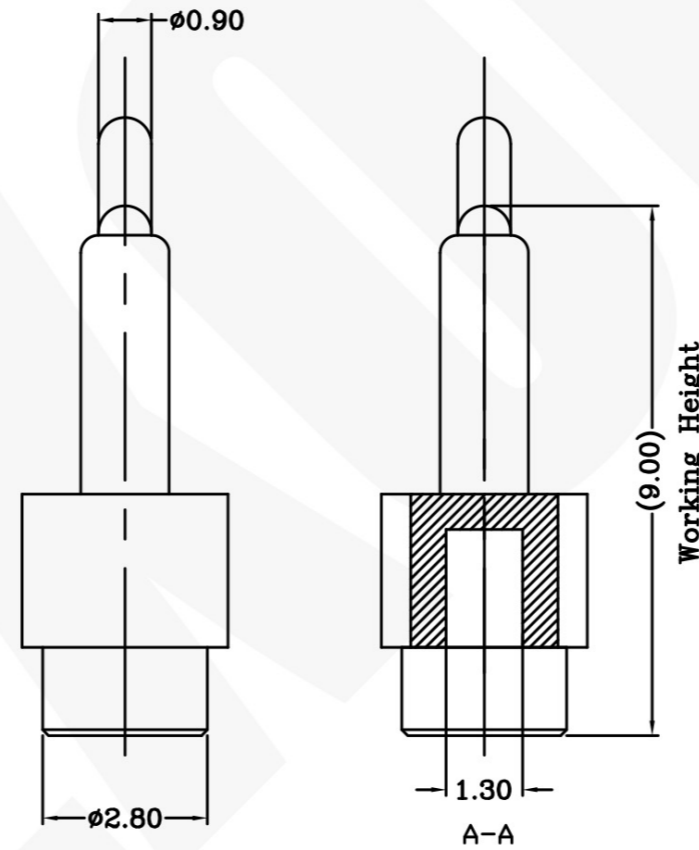
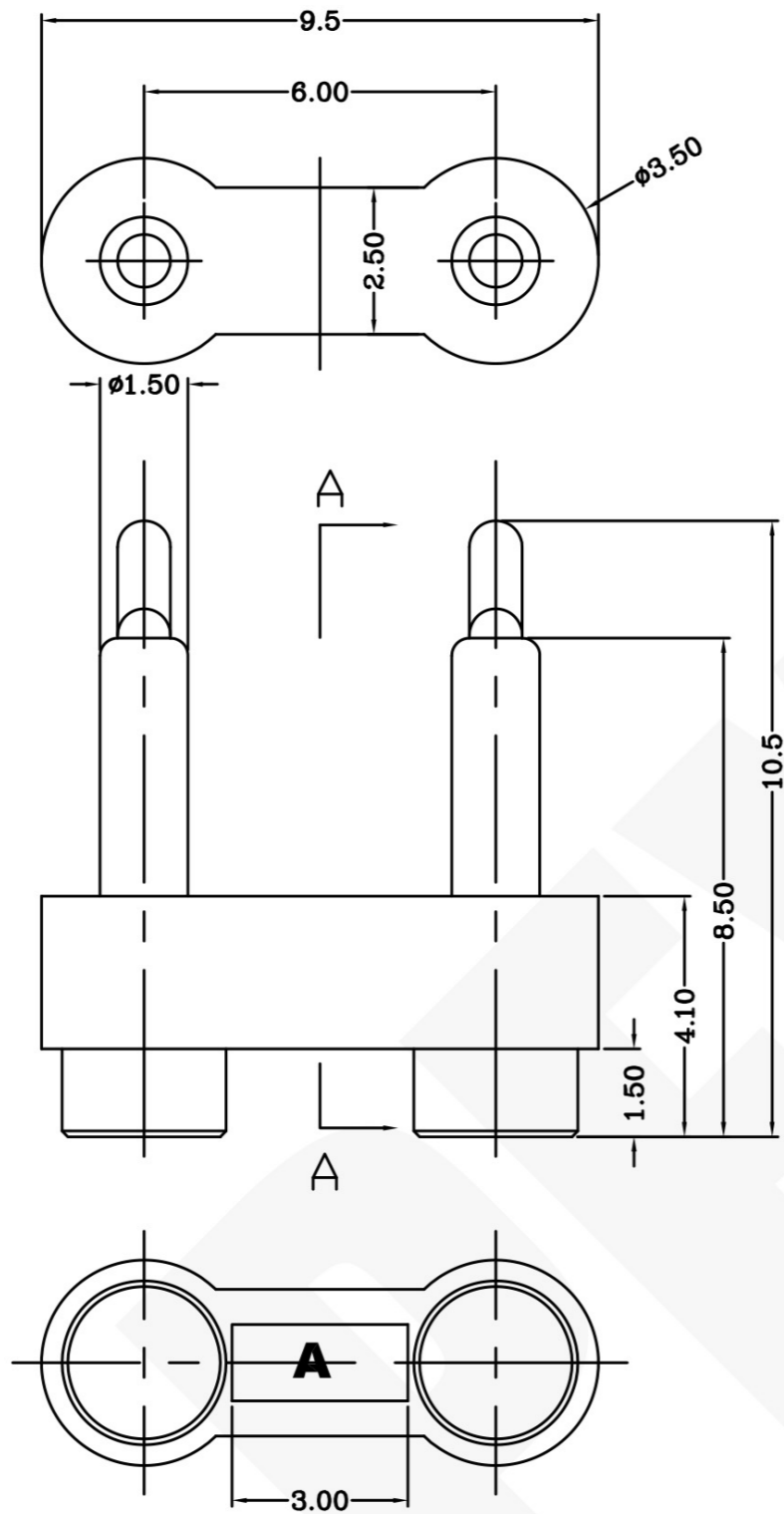


THIS INFORMATION IS CONFIDENTIAL AND IS DISCLOSED TO YOU ON CONDITION THAT NO FURTHER DISCLOSURE IS MADE BY YOU TO OTHER THAN PEXON PERSONNEL WITHOUT WRITTEN AUTHORIZATION FROM PEXON LTD.

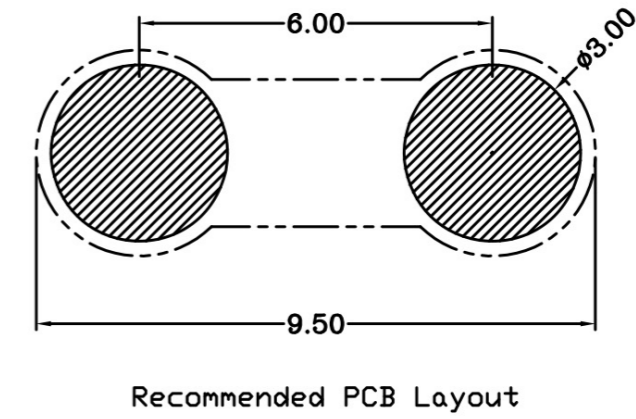
DWG NO.  
C-100036-2



USED ON  
-



Notes:  
 1 Material, Housing: PA 4.6 (30% Glass Filled)  
     Color Black.  
     Contact: Brass  
 2 Mechanical demands:  
     Full stroke: 2.7mm  
     Plating Plunger: Min 0.4Um Au over 2.5um Ni  
     Plating Body: Min 0.1Um Au over 1.4um .



LOC -  
DIST -

|     |                 |      |            |
|-----|-----------------|------|------------|
|     | Change Height   |      | 2007/04/11 |
| LTR | REVISION RECORD | APVD | DATE       |

DIMENSIONS IN MM  
 TOLERANCES UNLESS  
 OTHER SPECIFIED  
 0 = ±-  
 0.0 = ±0.15  
 0.00 = ±0.10  
 0.000 = ±  
 ANGLE: ±1°  
 SURF TEXTURE: 3.2/  
 REMOVE BURRS. BREAK  
 SHARP EDGES R0.05 MAX  
 DO NOT SCALE PRINT

|  |       |       |                    |              |        |
|--|-------|-------|--------------------|--------------|--------|
| MATL   | 1     | HT TR | -                  | FIN          | - ✓    |
| DWN  | Benny | APVD  | -                  | <b>PEXON</b> |        |
| CHK  |       | REL   |                    |              |        |
| NAME BATTERY POGO CONNECTOR 2 POSITIONS<br>(PGC-1.5-10.5-R-2P-6.0PH) |       |       |                    |              |        |
| SCALE  | 1:1   | A4    | DWG NO. C-100036-2 | SHEET        | 1 OF 1 |
|  |       |       |                    | REV          | B      |

4

3

2

1

D

C

B

A



**PEXON**

E-mail: [sale@pinconnector.com](mailto:sale@pinconnector.com)

WhatsApp: +86-13361867201

[www.pinconnector.com](http://www.pinconnector.com)