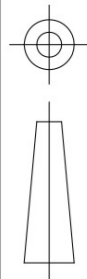
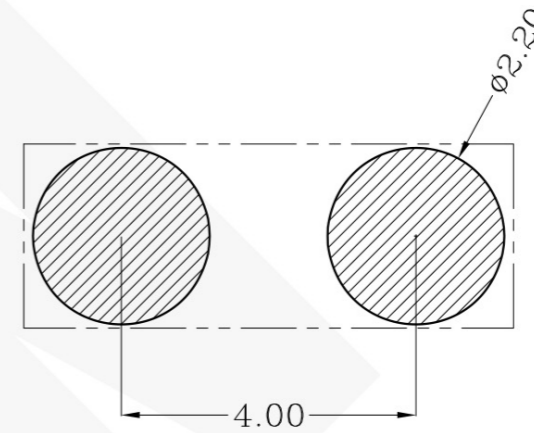
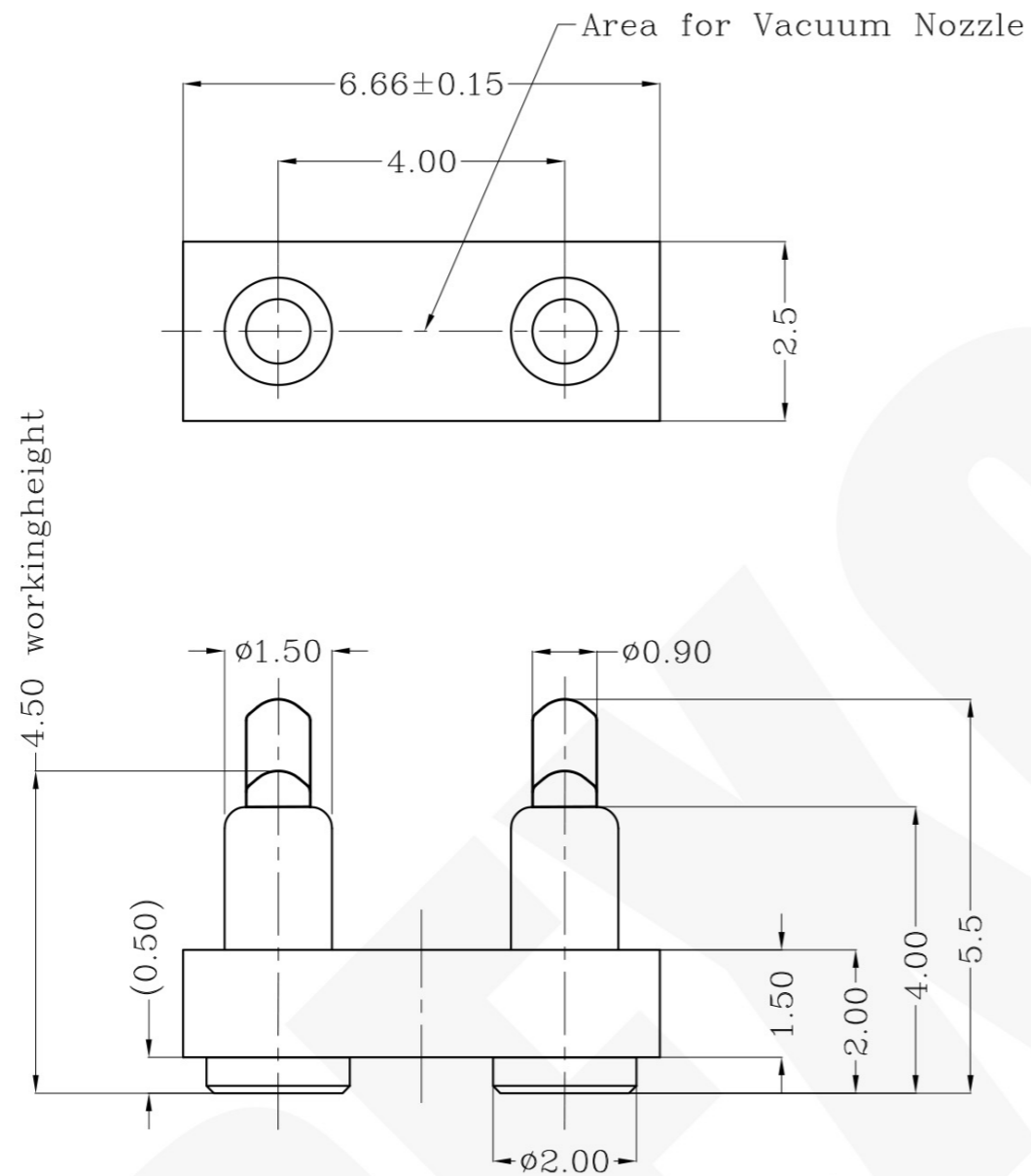


THIS INFORMATION IS CONFIDENTIAL AND IS DISCLOSED TO YOU ON CONDITION THAT NO FURTHER DISCLOSURE IS MADE BY YOU TO OTHER THAN PEXON PERSONNEL WITHOUT WRITTEN AUTHORIZATION FROM PEXON LTD.

DWG NO.
C-100155



USED ON



Recommended solder patse thickness is 0.10 mm
Recommended PCB Layout

Notes:

1 Material(材质):

Housing: PA 46 (30% Glass Filled) Color Black.
Contact: Brass
Spring :Stainless steel wire

2 Plating:

1)Body: Min 0.1um Gold plating over min. 1.4um Nickel plating
(Body: 镀金0.1um Min 镍底1.4um Min)
2)Plunger: Min 0.4um Gold plating over min. 1.4um Nickel plating
(Plunger: 镀金0.4um Min 镍底1.4um Min)

DIMENSIONS IN MM
TOLERANCES UNLESS
OTHER SPECIFIED
0 = ±-
0.0 = ±0.15
0.00 = ±0.10
0.000 = ±
ANGLE: ±1°
SURF TEXTURE: 3.2/
REMOVE BURRS. BREAK
SHARP EDGES R0.05 MAX
DO NOT SCALE PRINT

MATL	△ 1	HT TR	-	FIN	- ✓
DWN	Qin	APVD		PEXON	
CHK		REL			
NAME	POGO CONNECTOR 2 POSITIONS PGC-1.5-5.5-R-2P-4.0PH				
SCALE	1:1	A4	DWG NO. C-100155	SHEET 1 OF 1	REV A

LOC	-
DIST	-

update remark	2007/12/26		
LTR	REVISION RECORD	APVD	DATE

4

3

2

1

D

C

B

A



PEXON

E-mail: sale@pinconnector.com

WhatsApp: +86-13361867201

www.pinconnector.com