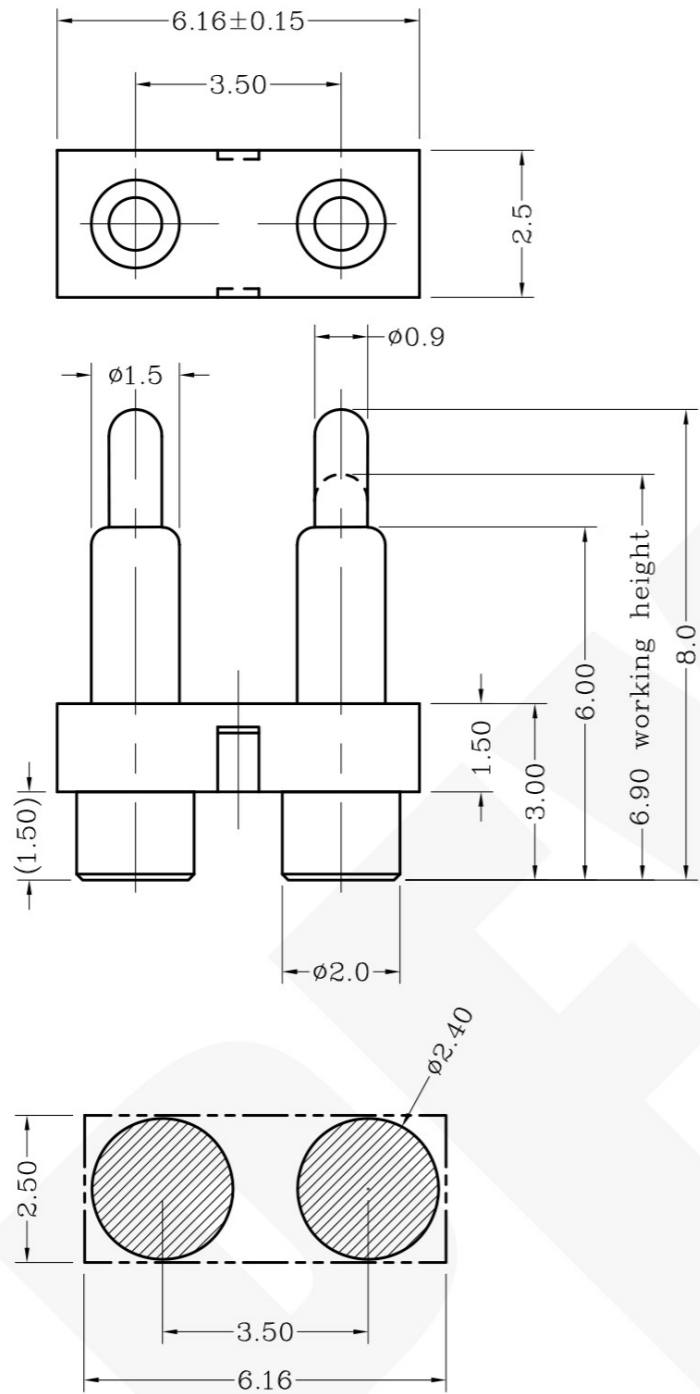


THIS INFORMATION IS CONFIDENTIAL AND IS DISCLOSED TO YOU ON CONDITION THAT NO FURTHER DISCLOSURE IS MADE BY YOU TO OTHER THAN PEXON PERSONNEL WITHOUT WRITTEN AUTHORIZATION FROM PEXON LTD.

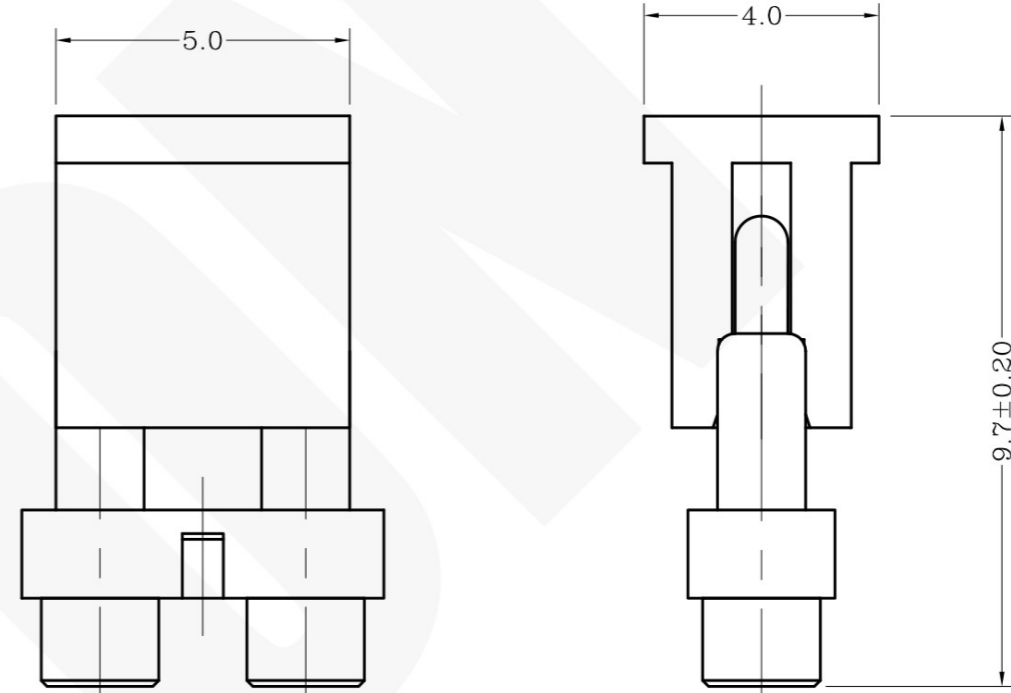
DWG NO.  
C-100051



USED ON  
-



Recommended PCB Layout



Notes:

- 1 Material, Housing: PA 4.6 (30% Glass Filled)  
Color Black.  
Contact: Brass
- 2 Mechanical demands:  
Plating Plunger: Min 0.4um Au over 2.5um Ni  
Plating Body: Min 0.1um Au over 1.4um Ni.

LDC  
-  
DIST  
-

	NEW		2007/08/13
LTR	REVISION RECORD	APVD	DATE

DIMENSIONS IN MM TOLERANCES UNLESS OTHER SPECIFIED		MATL	HT TR	FIN
0 = ±-	0.0 = ±0.15	1	-	- ✓
0.00 = ±0.10	0.000 = ±	DWN Benny	APVD Lansing	<b>PEXON</b>
ANGLE: ±1°	SURF TEXTURE: 3.2/	CHK Andy	REL	
REMOVE BURRS. BREAK SHARP EDGES R0.05 MAX DO NOT SCALE PRINT	NAME BATTERY POGO CONNECTOR 2 POSITIONS (PGC-1.5-8.0-R-2P-3.5PH)			
	SCALE 1:1	A4	DWG NO. C-100051	SHEET 1 OF 1
				REV A

100051-2
PART NUMBER

4

3

2

1

D

C

B

A



**PEXON**

E-mail: [sale@pinconnector.com](mailto:sale@pinconnector.com)

WhatsApp: +86-13361867201

[www.pinconnector.com](http://www.pinconnector.com)