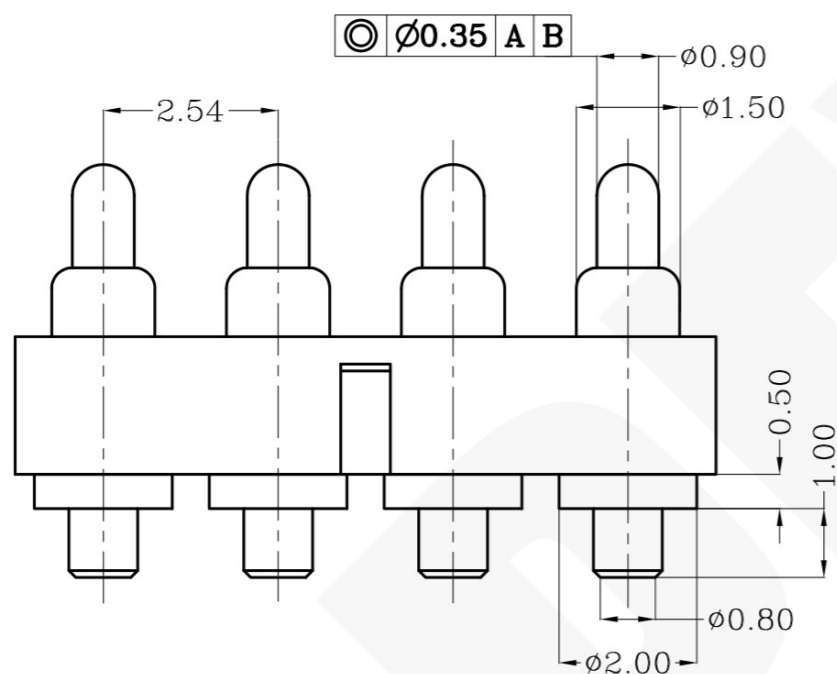
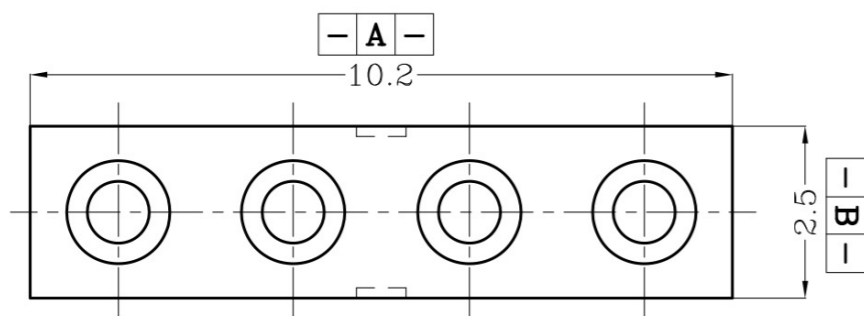
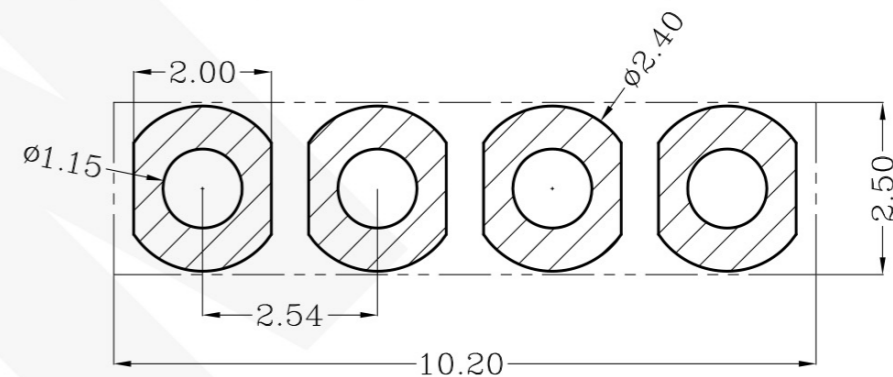


THIS INFORMATION IS CONFIDENTIAL AND IS DISCLOSED TO YOU ON CONDITION THAT NO FURTHER DISCLOSURE IS MADE BY YOU TO OTHER THAN PEXON PERSONNEL WITHOUT WRITTEN AUTHORIZATION FROM PEXON LTD.



Item	Part name	Q'ty/Ea'	Material	Finish
1	HSG	1	High temp.Plastic UL94 V-0 Color Black	
2	Body	4	Leaded Brass	Gold plating over Nickel plating
3	Plunger	4	Leaded Brass	Gold plating over Nickel plating
4	Spring	4	Stainless steel wire	
5				



Recommended PCB Layout

Max.working height	4.40mm	85±25gf <2.1>
Min.working height	3.80mm	150±35gf
Durability	10000cycle	

Notes:

- 1 Demensions shall be interpreted per ASME Y14.5M.
- 2 Mechanical performance(See the table 1)
<2.1>The force is the average of forces obtained when plunger goes downwards and upwards.
<2.2>Warning:Working height are not permitted to be less than Min working height.
- 3 Electrical performance
Resistance: 30mOhm Max.Current rating: 2.0A
- 4 RoHS compliant.

110791-4

PART NUMBER

Top-Link Electronics Ltd.		Type Customer drawing	Unit mm	Weight
TOLERANCES UNLESS OTHER SPECIFIED		DWN: Qin Zuozhong	APVD:	PEXON
0. = ± -		CHK:	REL:	
0.0 = ± 0.15		Name Customer drawing		
0.00 = ± 0.10		Scale 1:1	Size A4	DWG No. C-110791
0.000 = ± -		Page 1/1		
Angle: ±1°		Rev. 1		
SURF TEXTURE: REMOVE BURRS. BREAK SHARP EDGES R0.05 MAX.DO NOT SCALE PRINT.				

Rev.	Revision record.	Date.
	NEW	2012/02/24
4		
3		

DIST

DIST



PEXON

E-mail: sale@pinconnector.com

WhatsApp: +86-13361867201

www.pinconnector.com