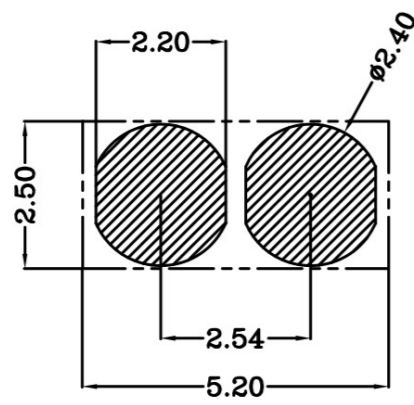


USED ON

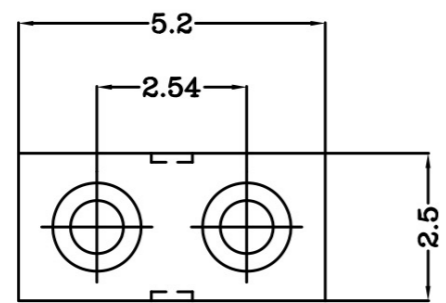
DWG NO.
C-100438



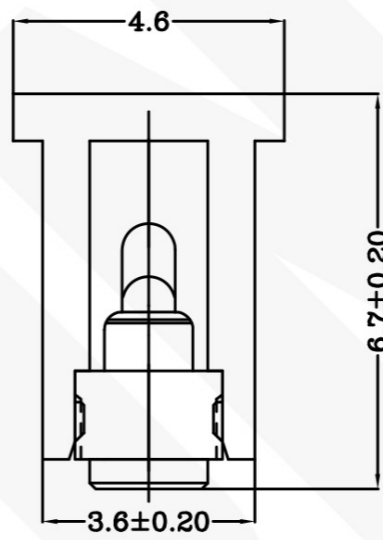
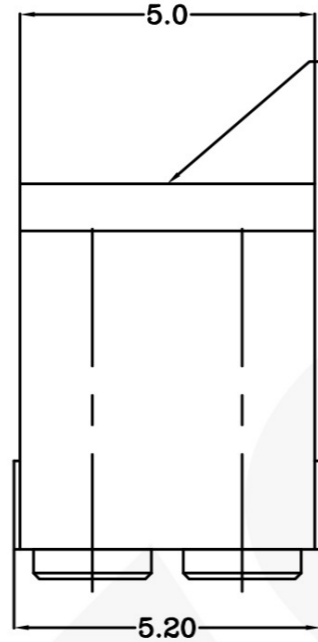
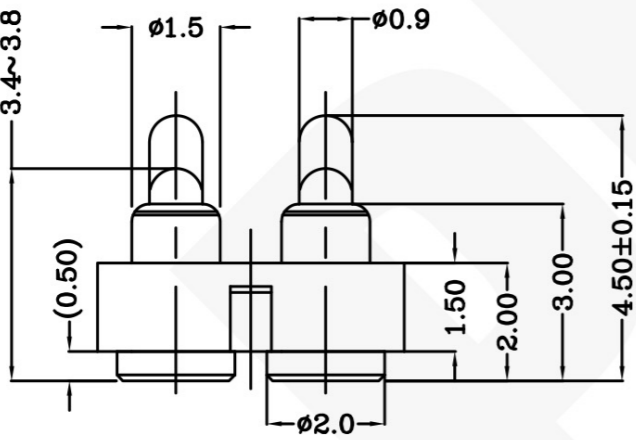
THIS INFORMATION IS CONFIDENTIAL AND IS DISCLOSED TO YOU ON CONDITION THAT NO FURTHER DISCLOSURE IS MADE BY YOU TO OTHER THAN PEXON PERSONNEL WITHOUT WRITTEN AUTHORIZATION FROM PEXON LTD.



Recommended PCB Layout

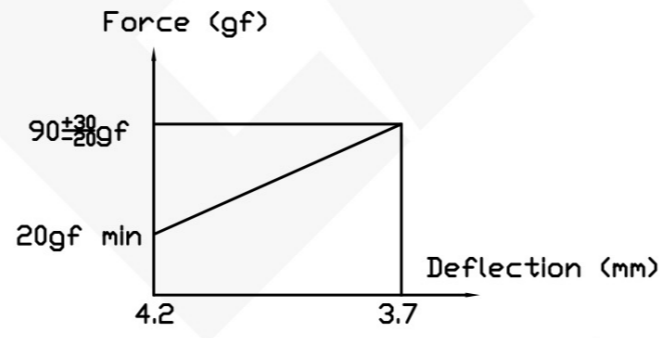


3.4~3.8 (Working Point)



Notes:

- 1 Material(材质):
Housing: PA 4.6 (30% Glass Filled) Color Black.
Contact: Brass
Spring :Stainless steel wire
- 2 Plating:
1)Body: Min 0.1um Gold plating over min. 1.4um Nickel plating
(Body: 镀金0.1um Min 镍底1.4um Min)
2)Plunger: Min 0.4um Gold plating over min. 1.4um Nickel plating
(Plunger: 镀金0.4um Min 镍底1.4um Min)
- 3 Mechanical:
Total stroke(总行程): 1.20mm
Durability(寿命): 10,000 cycle min.
- 4 Electrical(电性能)
Contact resistance(接触抵抗): 30mOhm Max.
Voltage rating(额定电压): 36V DC Max
Current rating(额定电流): 2.0A



100438-2
PART NUMBER

LOC	-
DIST	-

	增标工作范围		2011/04/08
	NEW		2008/11/27
LTR	REVISION RECORD	APVD	DATE

DIMENSIONS IN MM TOLERANCES UNLESS OTHER SPECIFIED		MATL	△1	HT TR	-	FIN	- ✓			
0	= ±-	DWN		APVD		Pexon				
0.0	= ±0.15	QIn		REL						
0.00	= ±0.10	CHK								
0.000	= ±	NAME		BATTERY POGO CONNECTOR 2 POSITIONS PGC-1.5-4.5-R-2P-2.54PH						
ANGLE: ±1°		SCALE	1:1	A4	DWG NO.	C-100438	SHEET	1 OF 1	REV	A1
SURF TEXTURE: 3.2/		REMOVE BURRS. BREAK SHARP EDGES R0.05 MAX DO NOT SCALE PRINT								

4

3

2

1

D
C
B
A



PEXON

E-mail: sale@pinconnector.com

WhatsApp: +86-13361867201

www.pinconnector.com