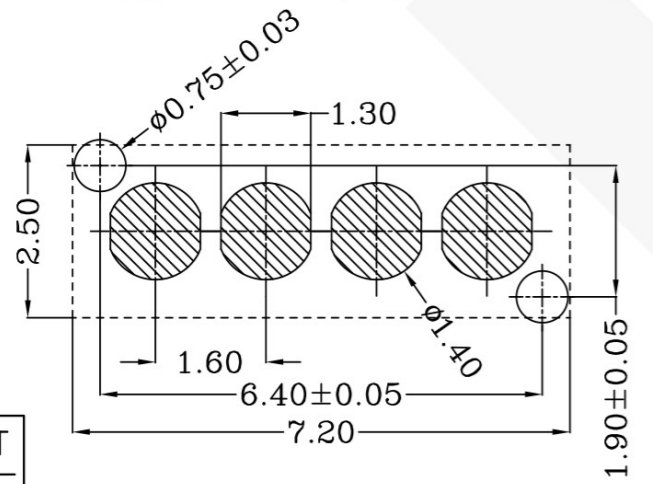
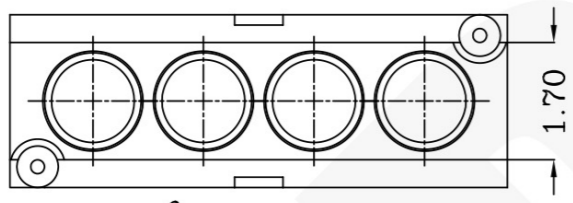
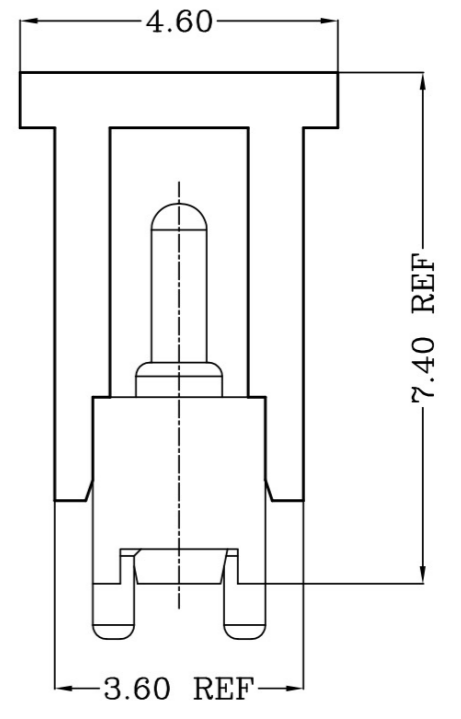
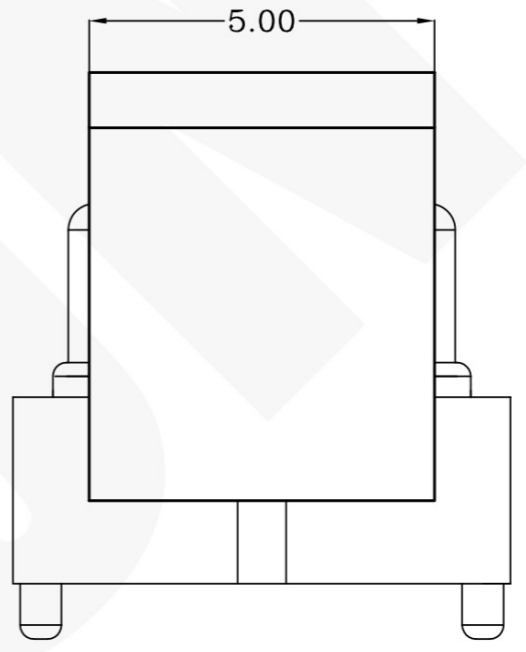
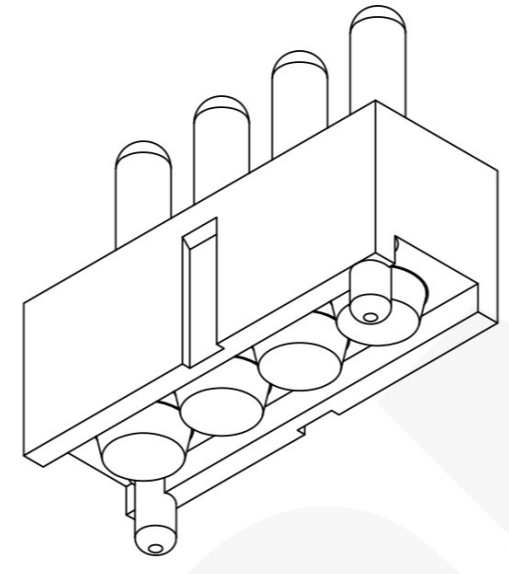
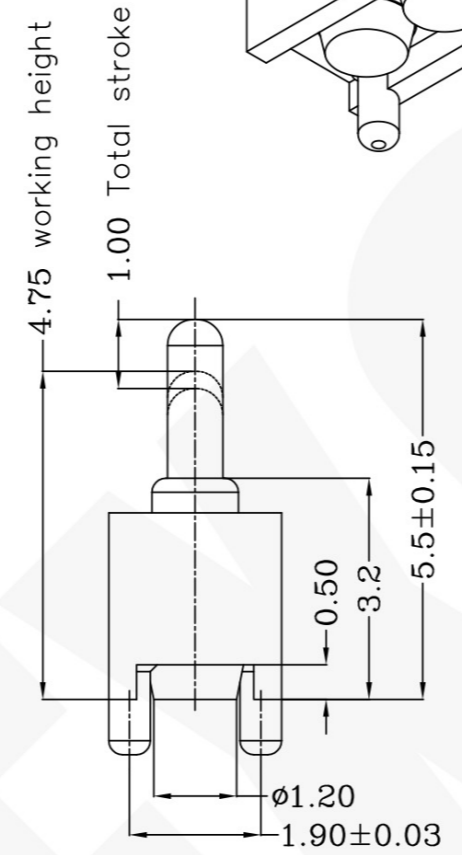
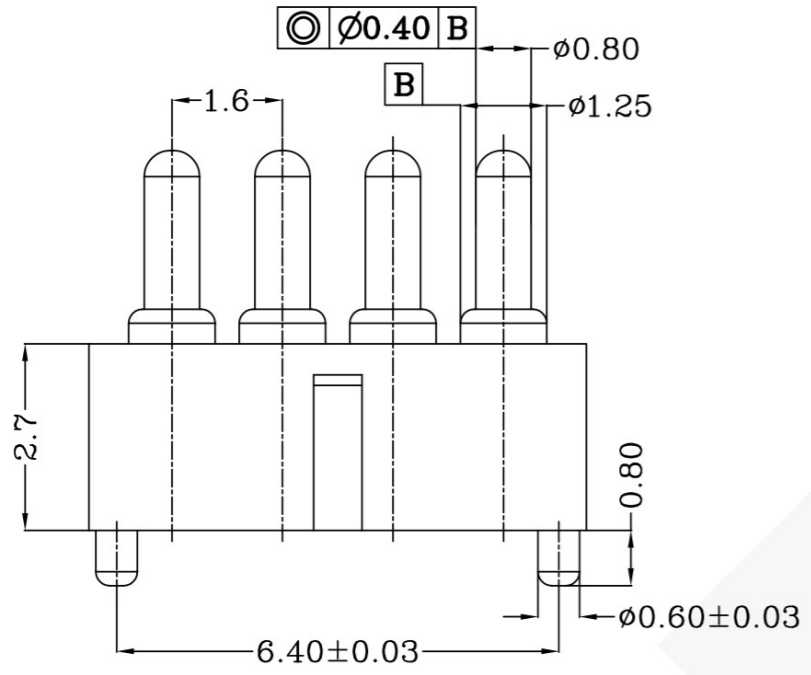
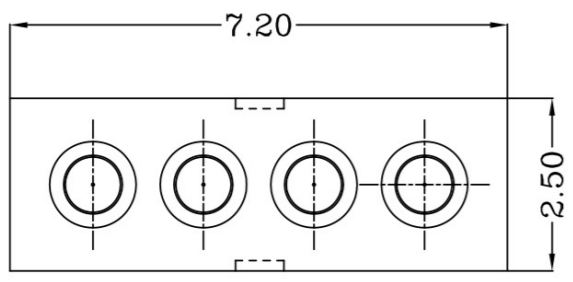


DWN No.: C-100719



THIS INFORMATION IS CONFIDENTIAL AND IS DISCLOSED TO YOU ON CONDITION THAT NO FURTHER DISCLOSURE IS MADE BY YOU TO OTHER THAN PEXON PERSONNEL WITHOUT WRITTEN AUTHORIZATION FROM PEXON LTD.



Recommended PCB Layout

working height	4.75mm	60 ⁺ ₁₅ gf <2.1>
Durability	10000cycle	

Item	Part name	Q'ty/Ea'	Material	Finish
1	HSG	1	High temp.Plastic UL94 V-0 Color Black	_____
2	Body	4	Leaded Brass	Au 0.1um over Ni 1.4um
3	Plunger	4	Leaded Brass	Au 0.4um over Ni 1.4um
4	Spring	4	Stainless steel wire	_____
5	CAP	1	High temp.Plastic UL94 V-0 Color Black	_____

- Notes:
- 1 Demensions shall be interpreted per ASME Y14.5M.
 - 2 Mechanical performance(See the table 1)
 - 3 Electrical performance
Resistance:50mOhm Max.Current rating: 1.5A
 - 4 Packaging Spec.Comformance to EIA 481
 - 5 Operating temperature: -40°C~+85°C
 - 6 SMT Mounting
 - 7 To ensure the product reliability, the store and working environments must maintain clean and no contamination is permitted on the product.
 - 8 RoHS complaint.

100719-4
PART NUMBER

Top-Link Electronics Ltd.		Type	Customer drawing	Unit	mm	Weight					
TOLERANCES UNLESS OTHER SPECIFIED		DWN:	Qin Zuozhong	APVD:		PEXON					
0. = ± -		CHK:		REL:							
0.0 = ± 0.15		Name				Customer drawing PGC-1.5-5.5-R-4P-1.6PH					
0.00 = ± 0.10		Scale	1:1	Size	A4	DWG No.	C-100719	Page	1/1	Rev.	A
0.000 = ± -											
Angle: ±1°											
SURF TEXTURE: REMOVE BURRS. BREAK SHARP EDGES R0.05 MAX.DO NOT SCALE PRINT.											

Rev.	NEW	2011/07/27
Revision record.	3	
Date.		

DIST

DIST

4

3

2

1



PEXON

E-mail: sale@pinconnector.com

WhatsApp: +86-13361867201

www.pinconnector.com