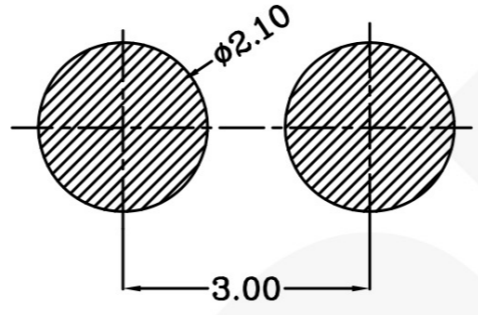
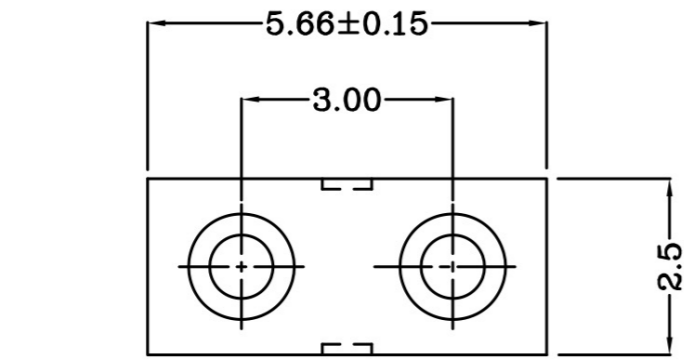
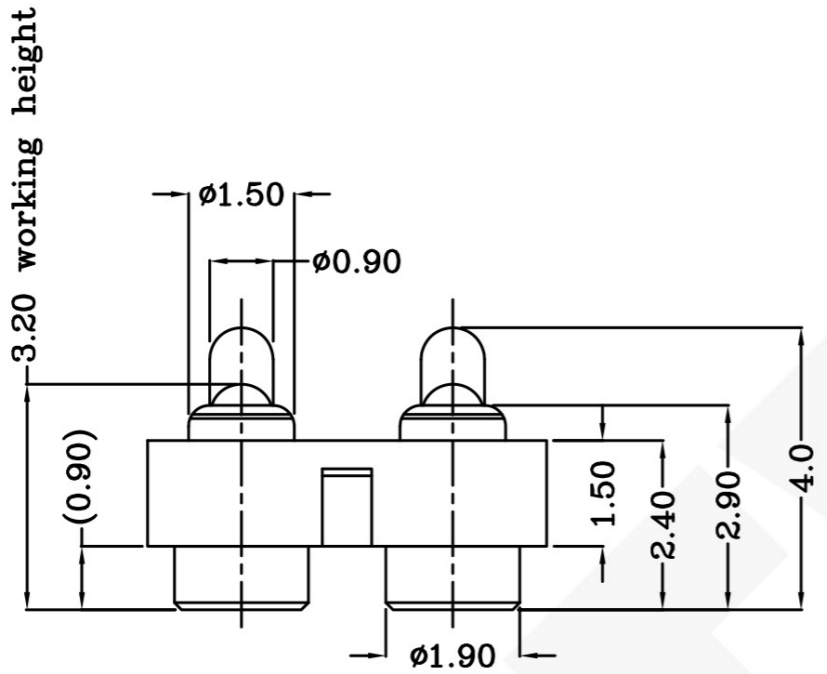


THIS INFORMATION IS CONFIDENTIAL AND IS DISCLOSED TO YOU ON CONDITION THAT NO FURTHER DISCLOSURE IS MADE BY YOU TO OTHER THAN PEXON PERSONNEL WITHOUT WRITTEN AUTHORIZATION FROM PEXON LTD.

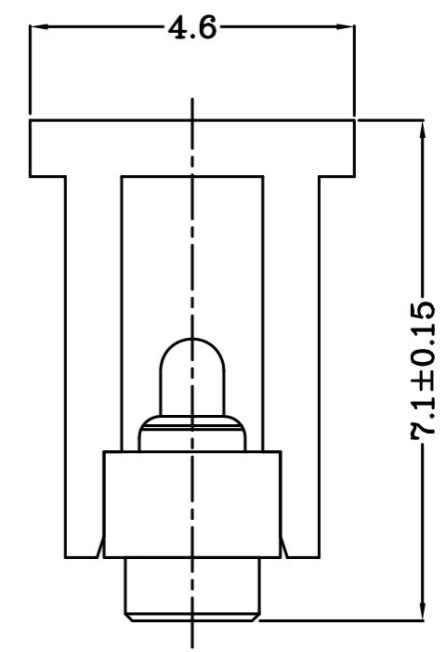
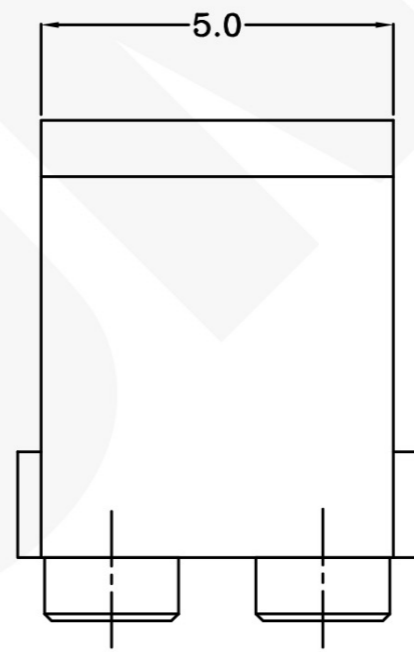
DWN No.: C-100277



Recommended PCB Layout



Item	Part name	Q'ty/Ea'	Material	Finish
1	HSG	1	High temp.Plastic UL94 V-0 Color Black	_____
2	Body	2	Leaded Brass	0.1um Au min over 1.4um Ni
3	Plunger	2	Leaded Brass	0.4um Au min over 1.4um Ni
4	Spring	2	Stainless steel wire	_____
5	CAP	1	High temp.Plastic UL94 V-0 Color Black	_____



- Notes:
- Dimensions shall be interpreted per ASME Y14.5M.
  - Mechanical performance(See the table 1)  
<2.1>The force is the average of forces obtained when plunger goes downwards and upwards.  
<2.2>Warning: Working height are not permitted to be less than Min working height.
  - Electrical performance  
Resistance: 30mOhm Max.  
Operating voltage: 36VDC Max.
  - Packaging specification conforms to EIA 481
  - RoHS compliant.

Table 1 Mechanical performance		
working height	3.2mm	80gf min <2.1>

100277-2  
PART NUMBER

Top-Link Electronics Ltd.		Type	Customer drawing	Unit	mm	Weight
TOLERANCES UNLESS OTHER SPECIFIED		DWN:	Qin Zuozhong	APVD:		<b>Pexon</b>
0. = ± -		CHK:		REL:		
0.0 = ± 0.15		Name				Pogo pin connector
0.00 = ± 0.10		Scale	1:1	Size	A4	DWG No.
0.000 = ± -						C-100277
Angle: ±1°						Page
SURF TEXTURE: REMOVE BURRS.						1/1
BREAK SHARP EDGES R0.05 MAX.DO NOT SCALE PRINT.						Rev.
						A

Rev.	Revision record.	Date.
	NEW	2008/01/10
3		

DIST  
---

DIST  
---



**PEXON**

E-mail: [sale@pinconnector.com](mailto:sale@pinconnector.com)

WhatsApp: +86-13361867201

[www.pinconnector.com](http://www.pinconnector.com)