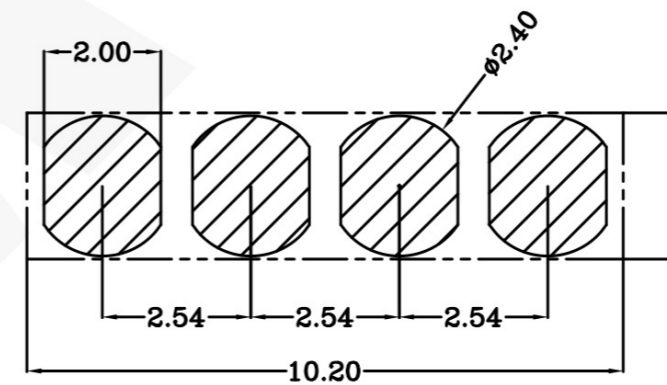
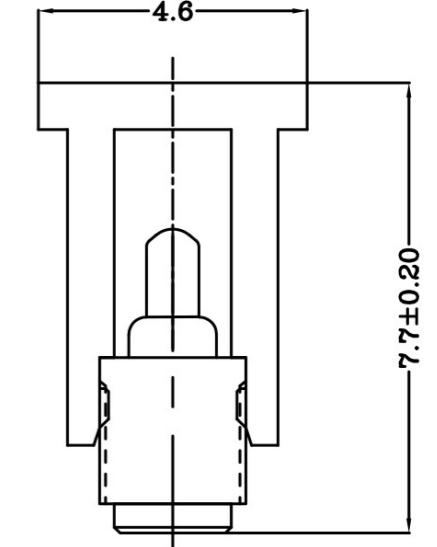
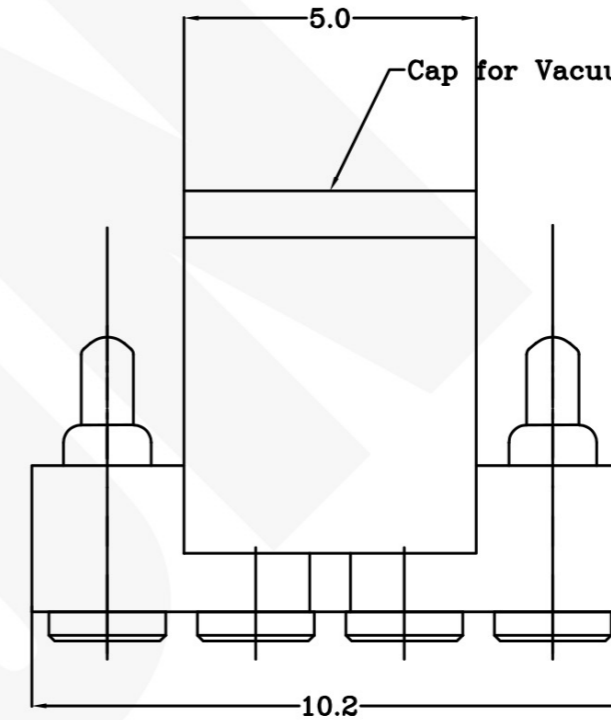
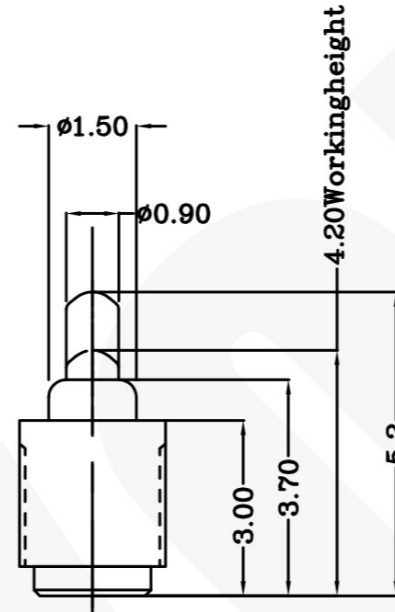
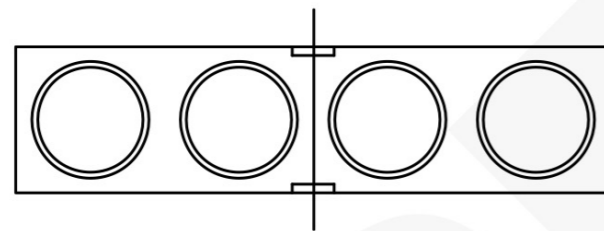
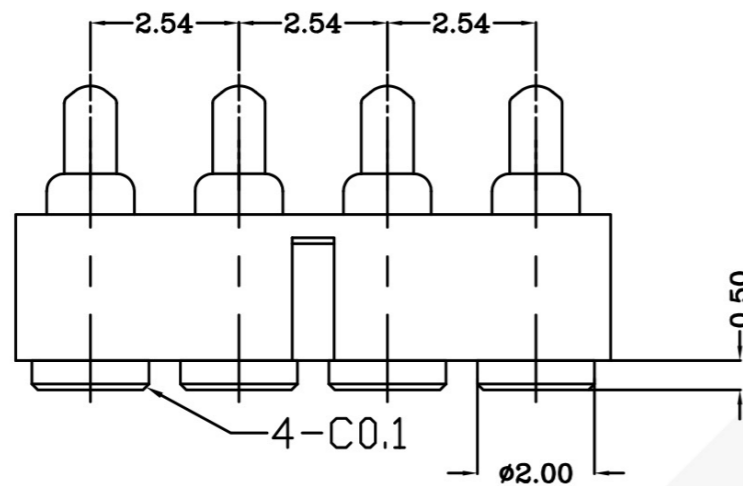
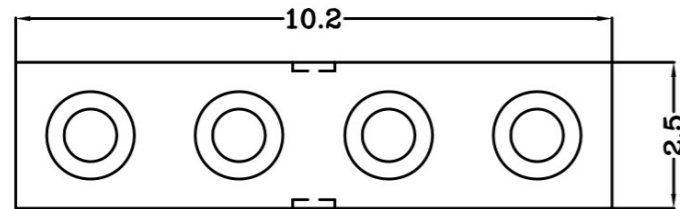


THIS INFORMATION IS CONFIDENTIAL AND IS DISCLOSED TO YOU ON CONDITION THAT NO FURTHER DISCLOSURE IS MADE BY YOU TO OTHER THAN PEXON PERSONNEL WITHOUT WRITTEN AUTHORIZATION FROM PEXON LTD.

DWG NO.
C-100481



USED ON
-



Recommended PCB Layout

- Notes:
- Material, Housing: PA 4.6 (30% Glass Filled)
Color Black.
Contact: Brass
 - Mechanical demands:
Plating Plunger: Min 0.4um Au over 1.4um Ni
Plating Body: Min 0.1um Au over 1.4um Ni.
 - Single PIN spring force: Min 20gf with 0.2mm stroke
105±30gf with 1.0mm stroke.

LDC
-
DIST
-

	NEW		2009/02/20
LTR	REVISION RECORD	APVD	DATE

DIMENSIONS IN MM
TOLERANCES UNLESS
OTHER SPECIFIED
0 = ±-
0.0 = ±0.15
0.00 = ± 0.10
0.000 = ±
ANGLE: ±1°
SURF TEXTURE: 3.2/
REMOVE BURRS. BREAK
SHARP EDGES R0.05 MAX
DO NOT SCALE PRINT

MATL	△ 1	HT TR	-	FIN	- ✓
DWN	Jim	APVD	Lansing	PEXON	
CHK	Andy	REL			
NAME	BATTERY POGO CONNECTOR 4 POSITIONS PGC-1.5-5.2-R-4P-2.54PH				
SCALE	1:1	A4	DWG NO. C-100481	SHEET 1 OF 1	REV A

100481-4

PART NUMBER

4

3

2

1

D

C

B

A



PEXON

E-mail: sale@pinconnector.com

WhatsApp: +86-13361867201

www.pinconnector.com