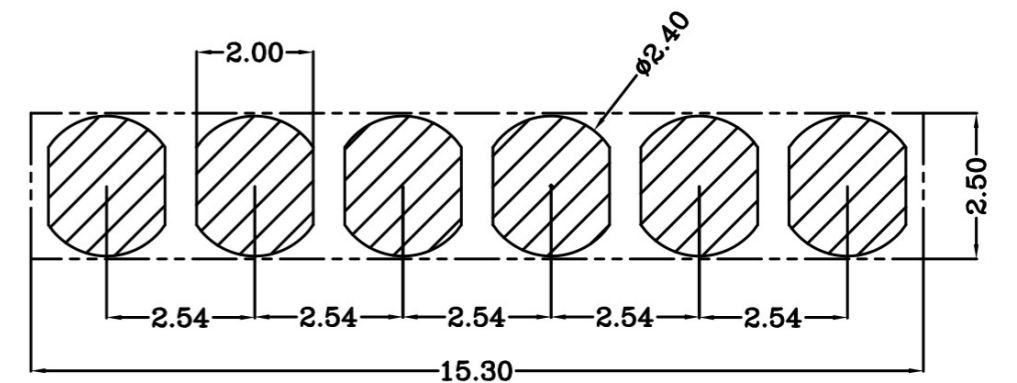
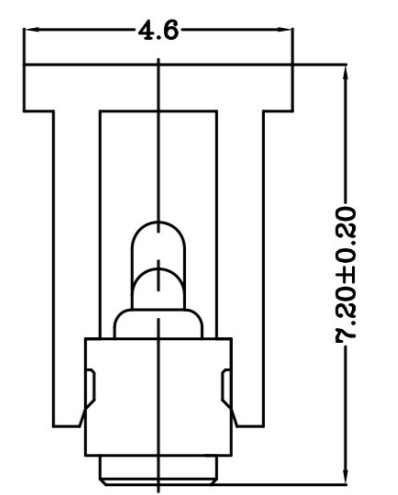
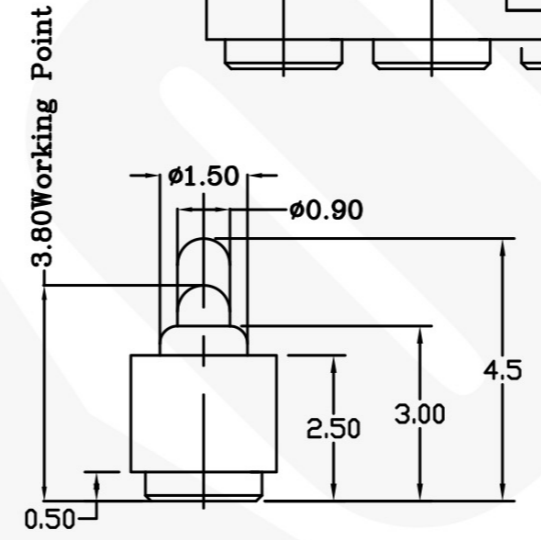
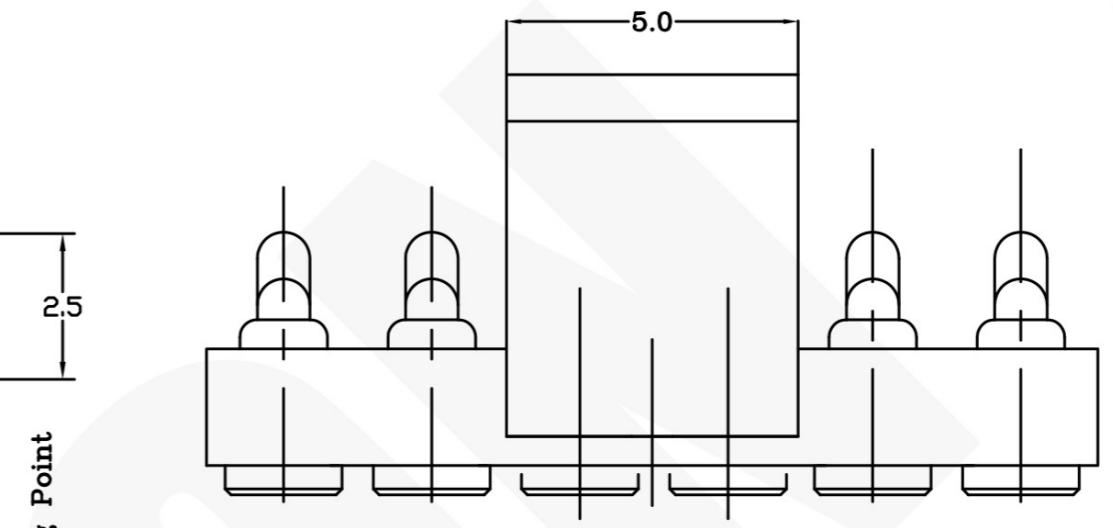
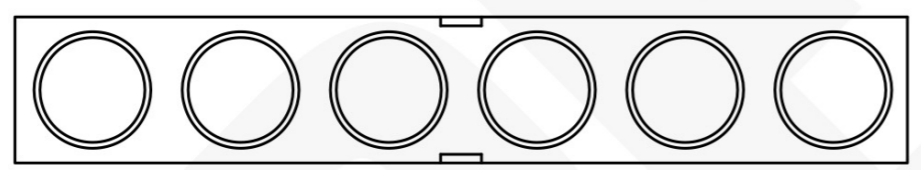
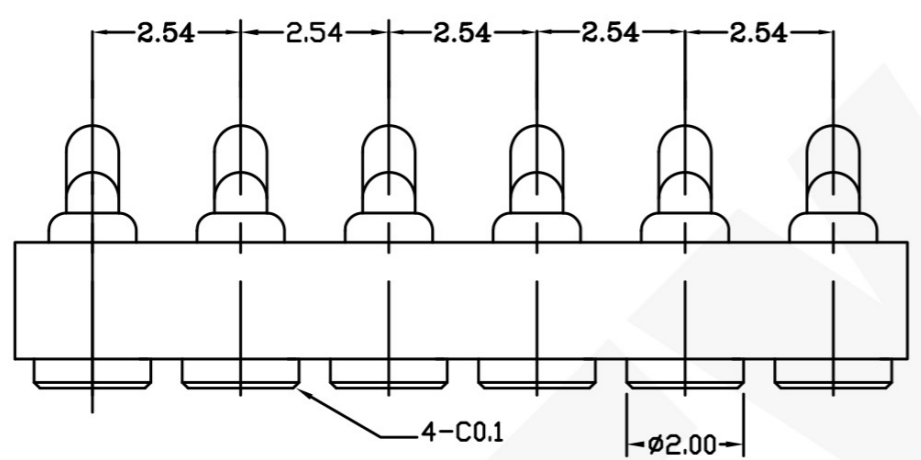
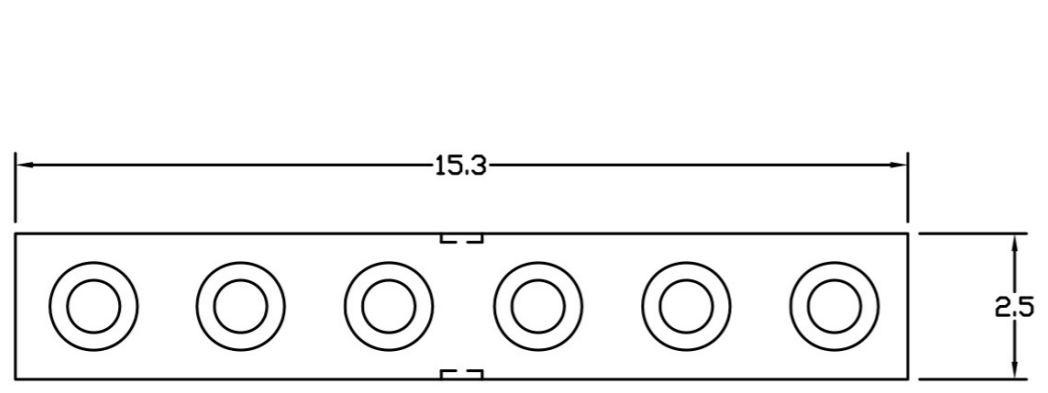


THIS INFORMATION IS CONFIDENTIAL AND IS DISCLOSED TO YOU ON CONDITION THAT NO FURTHER DISCLOSURE IS MADE BY YOU TO OTHER THAN PEXON PERSONNEL WITHOUT WRITTEN AUTHORIZATION FROM PEXON LTD.

DWG NO. C-100184



USED ON -



Recommended PCB Layout

- Notes:**
- 1 Material, Housing: PA 4.6 (30% Glass Filled)
Color Black.
Contact: Brass
 - 2 Mechanical demands:
Spring force: Min 80g with 0.7mm stroke
Full stroke is 1.0 mm
Plating Plunger: 0.4um Au over 1.4um Ni
Plating Body: 0.1um Au over 1.4um Ni

100184-6
PART NUMBER

DIMENSIONS IN MM
TOLERANCES UNLESS
OTHER SPECIFIED
0 = ±-
0.0 = ±0.15
0.00 = ±0.10
0.000 = ±
ANGLE: ±1°
SURF TEXTURE: 3.2/
REMOVE BURRS. BREAK
SHARP EDGES R0.05 MAX
DO NOT SCALE PRINT

MATL	△ 1	HT TR	-	FIN	- ✓
DWN		APVD		Pexon	
CHK		REL			
NAME BATTERY POGO CONNECTOR 6 POSITIONS PGC-1.5-4.5-R-6P-2.54PH					
SCALE	1:1	A4	DWG NO. C-100184	SHEET 1 OF 1	REV B1

LDC	-	Change Housing	2008/09/02
DIST	-	NEW	2007/09/26
LTR	REVISION RECORD	APVD	DATE



PEXON

E-mail: sale@pinconnector.com

WhatsApp: +86-13361867201

www.pinconnector.com