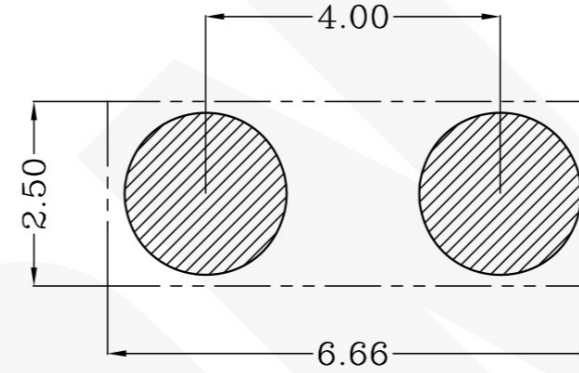
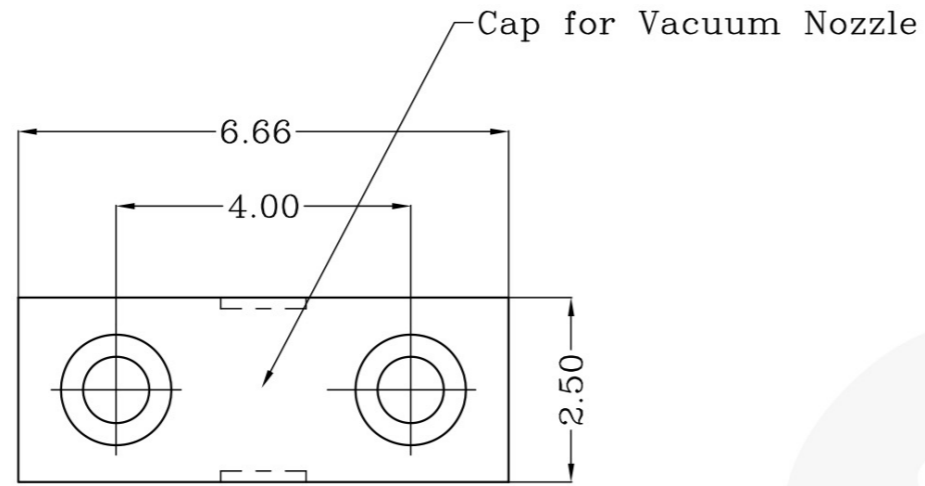


THIS INFORMATION IS CONFIDENTIAL AND IS DISCLOSED TO YOU ON CONDITION THAT NO FURTHER DISCLOSURE IS MADE BY YOU TO OTHER THAN PEXON PERSONNEL WITHOUT WRITTEN AUTHORIZATION FROM PEXON LTD.

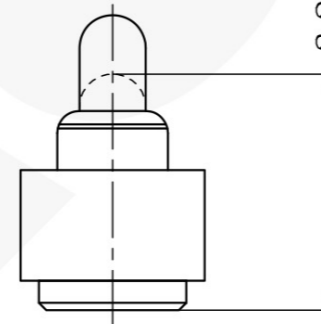
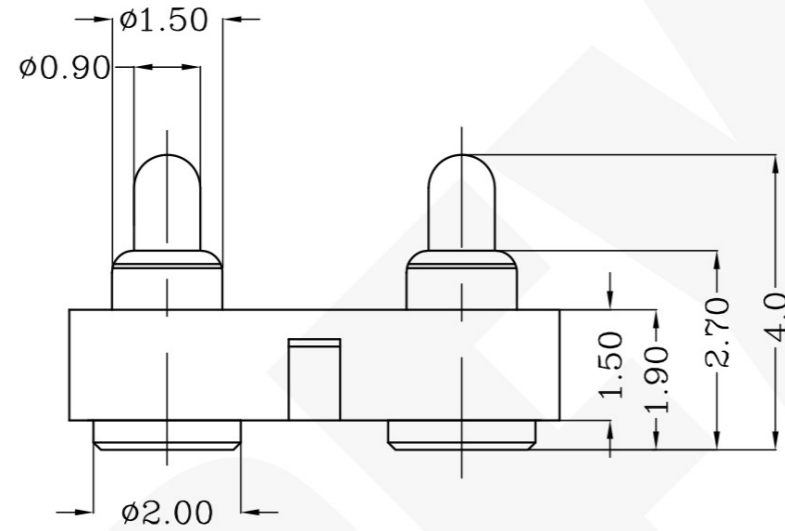
DWG NO. C-100595



USED ON



Recommended PCB Layout



Notes:

- 1 Material, Housing: PA 4.6 (30% Glass Filled)
Color Black.
Contact: Brass
- 2 Mechanical demands:
Body: Min 0.1um Gold plating over min. 1.4um Nickle plating
Plunger: Min 0.4um Gold plating over min. 1.4um Nickle plating

DIMENSIONS IN MM
TOLERANCES UNLESS
OTHER SPECIFIED
0 = ±-
0.0 = ±0.15
0.00 = ±0.10
0.000 = ±
ANGLE: ±1°
SURF TEXTURE: 3.2/
REMOVE BURRS. BREAK
SHARP EDGES R0.05 MAX
DO NOT SCALE PRINT

MATL	△ 1	HT TR	-	FIN	- ✓
DWN	Qin	APVD		PEXON	
CHK		REL			
NAME BATTERY POGO CONNECTOR 2 POSITIONS PGC-1.5-4.0-R-2P-4.0PH					
SCALE	1:1	A4	DWG NO. C-100595	SHEET 1 OF 1	REV A

LDC	-
DIST	-

	NEW		2010/04/02
LTR	REVISION RECORD	APVD	DATE

100595-2

PART NUMBER

4

3

2

1

D

C

B

A



PEXON

E-mail: sale@pinconnector.com

WhatsApp: +86-13361867201

www.pinconnector.com