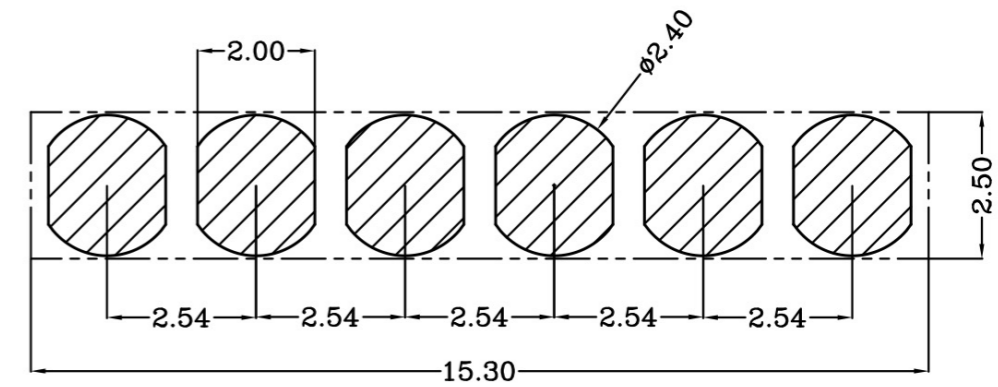
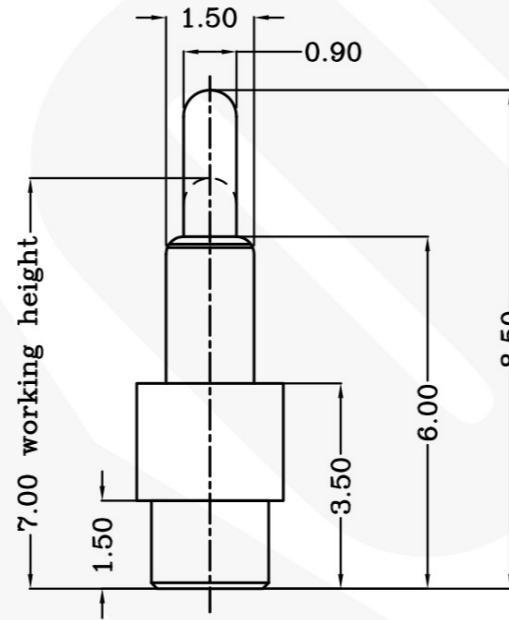
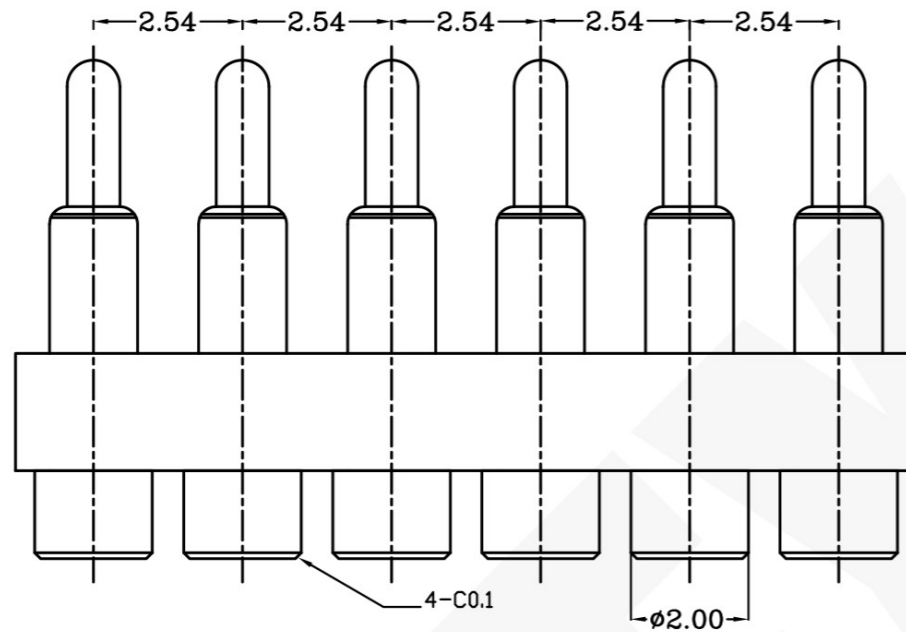
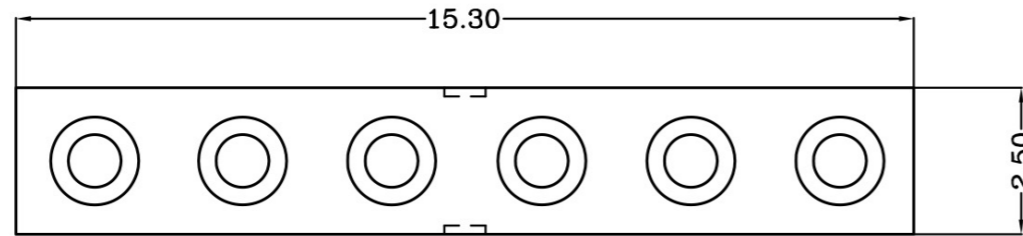


THIS INFORMATION IS CONFIDENTIAL AND IS DISCLOSED TO YOU ON CONDITION THAT NO FURTHER DISCLOSURE IS MADE BY YOU TO OTHER THAN PEXON PERSONNEL WITHOUT WRITTEN AUTHORIZATION FROM PEXON LTD.

DWG NO.
C-110291



USED ON
-



Recommended PCB Layout

- Notes:
 1 Material, Housing: PA 4.6 (30% Glass Filled)
 Color Black.
 Contact: Brass
 2 Mechanical demands:
 Plating Plunger: 0.4um Au over 1.4um Ni
 Plating Body: 0.1um Au over 1.4um Ni.

DIMENSIONS IN MM
 TOLERANCES UNLESS
 OTHER SPECIFIED
 0 = ±-
 0.0 = ±0.15
 0.00 = ±0.10
 0.000 = ±
 ANGLE: ±1°
 SURF TEXTURE: 3.2/
 REMOVE BURRS, BREAK
 SHARP EDGES R0.05 MAX
 DO NOT SCALE PRINT

MATL	HT TR	FIN
1	-	✓
DWN	APVD	Pexon
Qin	REL	
CHK	REL	
NAME BATTERY POGO CONNECTOR 6 POSITIONS PGC-1.5-8.5-R-6P-2.54PH		
SCALE	A4	DWG NO. C-110291
1:1		SHEET 1 OF 1
		REV A

LDC	-
DIST	-

	NEW		2009/10/16
LTR	REVISION RECORD	APVD	DATE

110291-6

PART NUMBER

Pexon

4

3

2

1

D

C

B

A



PEXON

E-mail: sale@pinconnector.com

WhatsApp: +86-13361867201

www.pinconnector.com