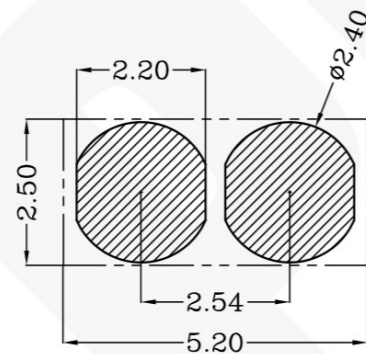
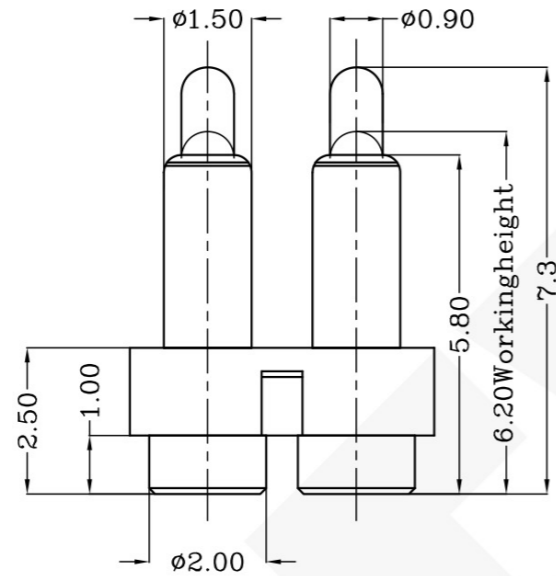
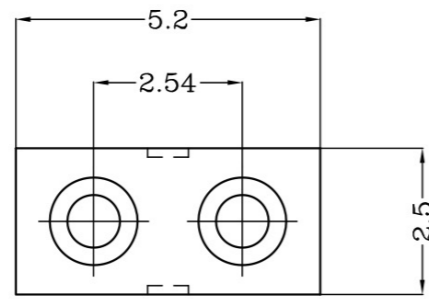


THIS INFORMATION IS CONFIDENTIAL AND IS DISCLOSED TO YOU ON CONDITION THAT NO FURTHER DISCLOSURE IS MADE BY YOU TO OTHER THAN PEXON PERSONNEL WITHOUT WRITTEN AUTHORIZATION FROM PEXON LTD.

DWG NO. C-100620

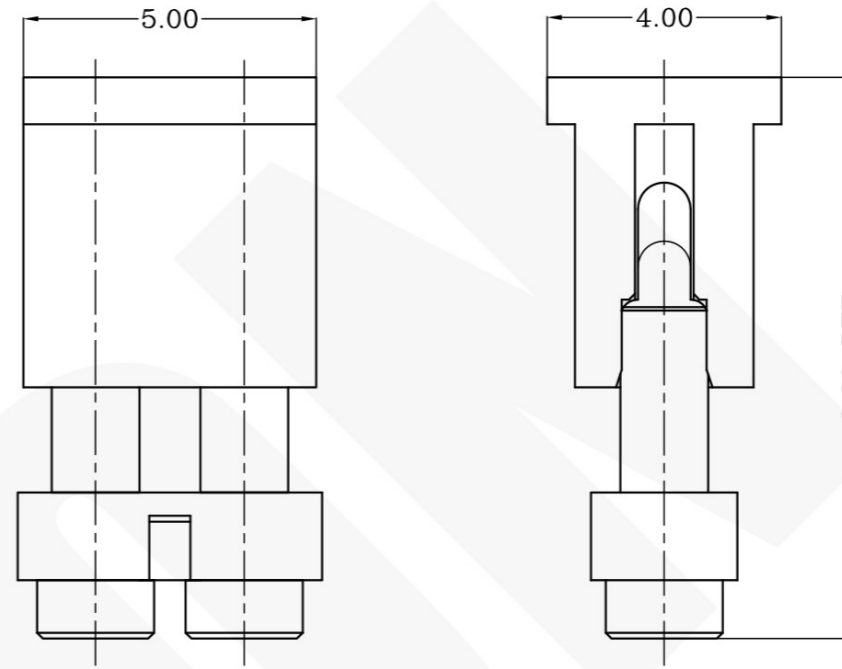


USED ON



Recommended PCB Layout

Recommended solder paste thickness is 0.10 mm



Notes:

- 1 Material(材质):  
 Housing: PA 4.6 (30% Glass Filled) Color Black.  
 Contact: Brass  
 Spring :Stainless steel wire
- 2 Plating:  
 1)Body: Min 0.1um Gold plating over min. 1.4um Nickel plating  
 (Body: 镀金0.1um Min 镍底1.4um Min)  
 2)Plunger: Min 0.4um Gold plating over min. 1.4um Nickel plating  
 (Plunger: 镀金0.4um Min 镍底1.4um Min)
- 3 Mechanical:  
 Total stroke(总行程): 1.40mm  
 Durability(寿命): 10,000 cycle min.
- 4 Electrical(电性能)  
 Contact resistance(接触抵抗): 30mOhm Max.  
 Voltage rating(额定电压): 36V DC Max  
 Current rating(额定电流): 2.5A

100620-2

PART NUMBER

DIMENSIONS IN MM  
 TOLERANCES UNLESS  
 OTHER SPECIFIED  
 0 = ±-  
 0.0 = ±0.15  
 0.00 = ±0.10  
 0.000 = ±  
 ANGLE: ±1°  
 SURF TEXTURE: 3.2/  
 REMOVE BURRS. BREAK  
 SHARP EDGES R0.05 MAX  
 DO NOT SCALE PRINT

MATL	△ 1	HT TR	-	FIN	- ✓
DWN	Qin	APVD	<h1>PEXON</h1>		
CHK	REL				
NAME	PGGD PIN CONNECTOR 2 POSITIONS PGC-1.5-7.3-R-2P-2.54PH				
SCALE	1:1	A4	DWG NO.	C-100620	SHEET 1 OF 1
					REV 1

LDC	-
DIST	-

	NEW		2010/05/06
LTR	REVISION RECORD	APVD	DATE

4

3

2

1

D

C

B

A



**PEXON**

E-mail: [sale@pinconnector.com](mailto:sale@pinconnector.com)

WhatsApp: +86-13361867201

[www.pinconnector.com](http://www.pinconnector.com)