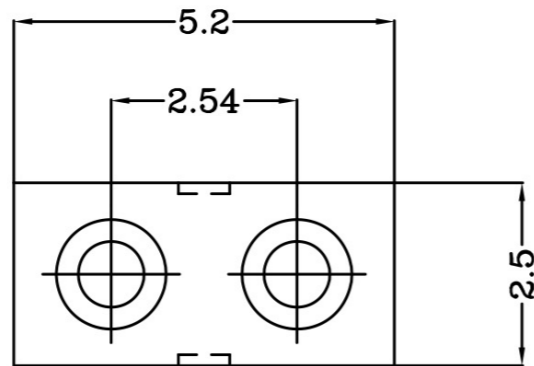


THIS INFORMATION IS CONFIDENTIAL AND IS DISCLOSED TO YOU ON CONDITION THAT NO FURTHER DISCLOSURE IS MADE BY YOU TO OTHER THAN PEXON PERSONNEL WITHOUT WRITTEN AUTHORIZATION FROM PEXON LTD.

DWG NO.  
C-110241

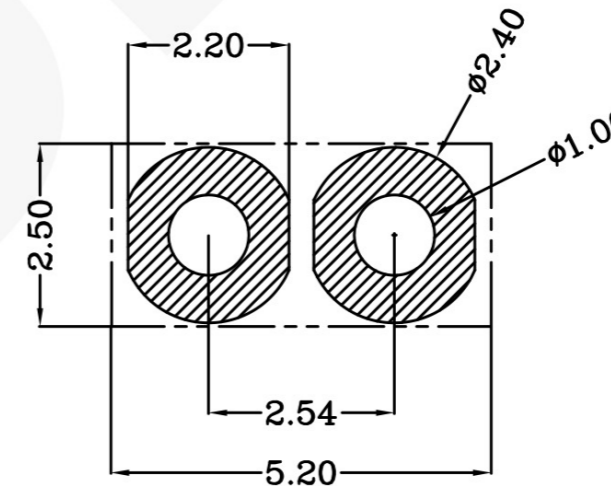
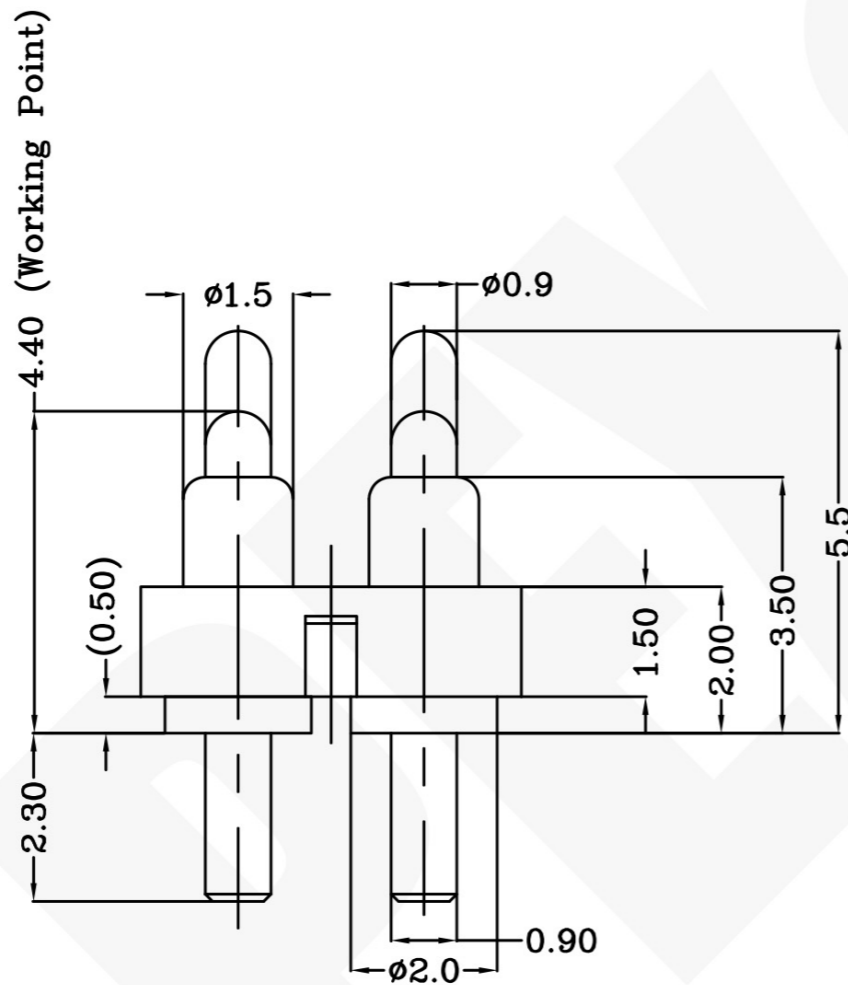


USED ON  
-



Notes:

- 1 Material, Housing: PA 4.6 (30% Glass Filled)  
Color Black.  
Contact: Brass
- 2 Mechanical demands:  
Full stroke: 1.4mm  
Plating Plunger: 0.4um Au over 1.4um Ni  
Plating Body: 0.1um Au over 1.4um Ni.



Recommended PCB Layout

110241-2

PART NUMBER

DIMENSIONS IN MM  
TOLERANCES UNLESS  
OTHER SPECIFIED  
0 = ±-  
0.0 = ±0.15  
0.00 = ±0.10  
0.000 = ±  
ANGLE: ±1°

SURF TEXTURE: 3.2/  
REMOVE BURRS. BREAK  
SHARP EDGES R0.05 MAX  
DO NOT SCALE PRINT

MATL	△ 1	HT TR	-	FIN	- ✓
DWN	Benny	APVD	Lansing	<h1>Pexon</h1>	
CHK	Andy	REL			
NAME BATTERY POGO CONNECTOR 2 POSITIONS PGC-1.5-5.5-R-2P-2.54PH					
SCALE	1:1	A4	DWG NO. C-110241	SHEET 1 OF 1	REV B

LDC -  
DIST -

LTR	Modify Dip	APVD	DATE
			2007/12/20

4

3

2

1

D

C

B

A



**PEXON**

E-mail: [sale@pinconnector.com](mailto:sale@pinconnector.com)

WhatsApp: +86-13361867201

[www.pinconnector.com](http://www.pinconnector.com)