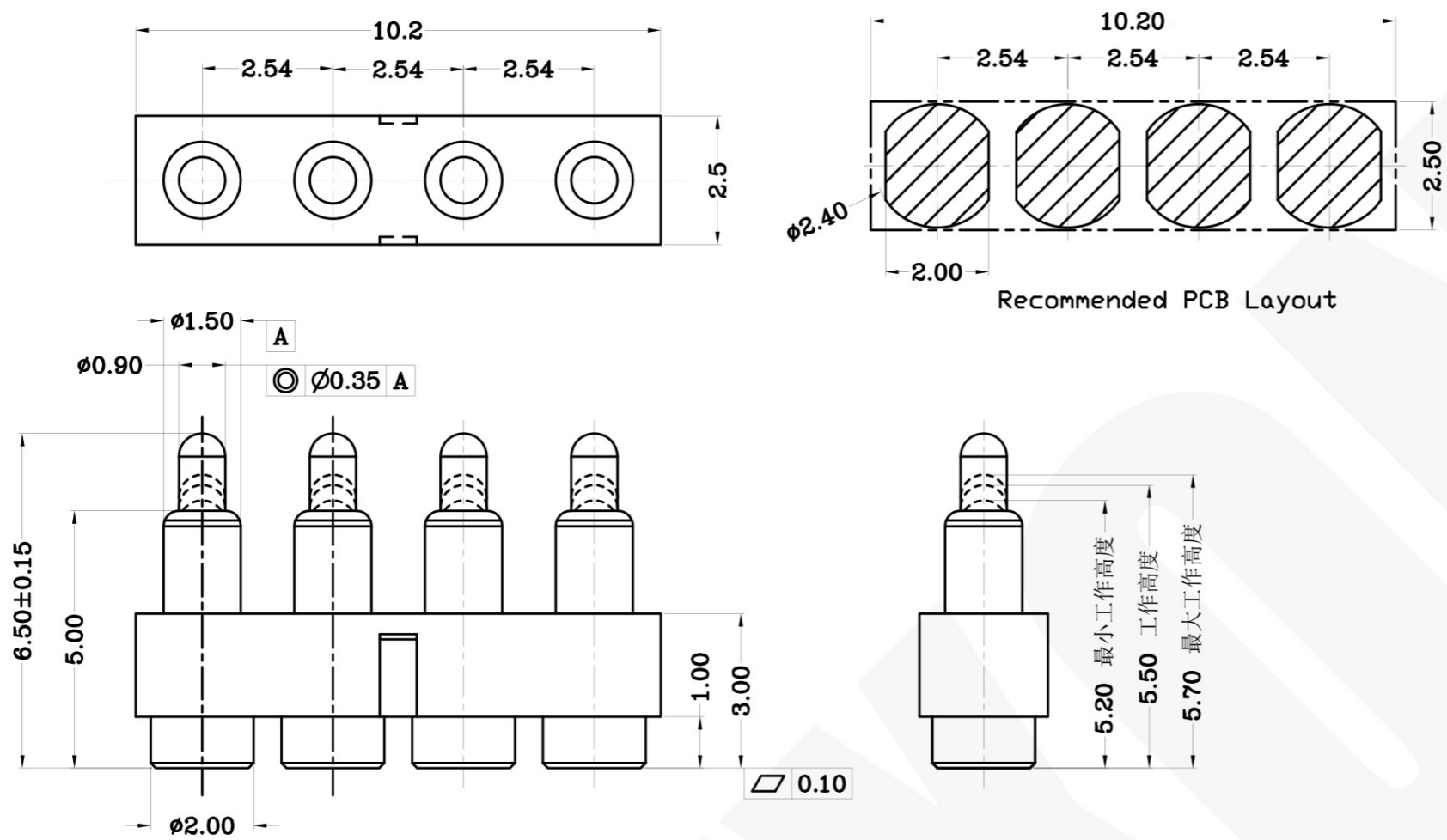
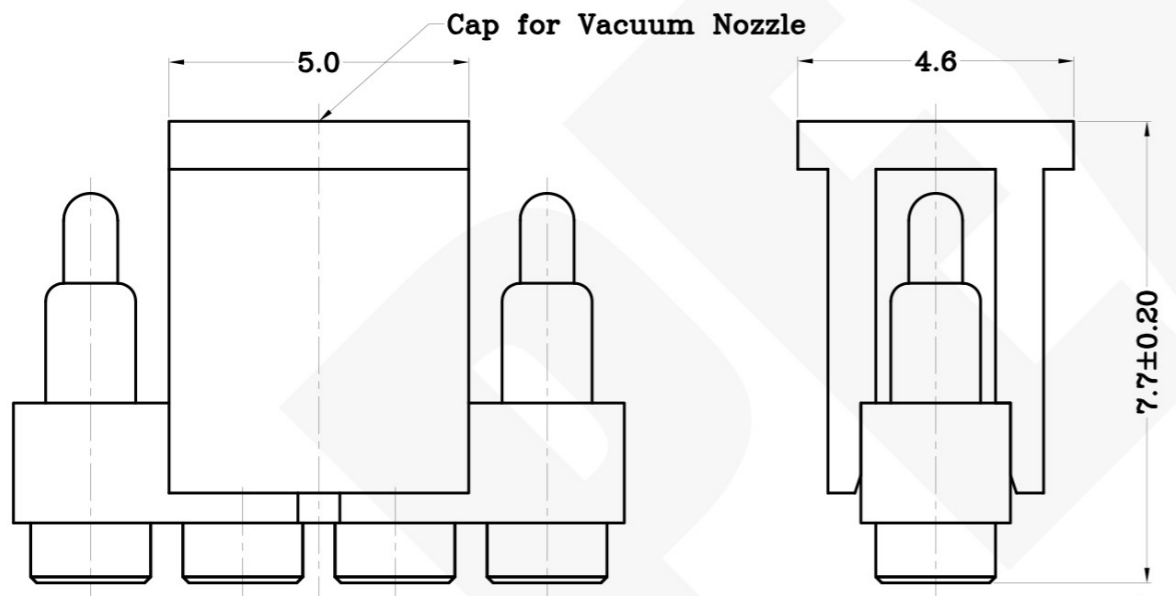


THIS INFORMATION IS CONFIDENTIAL AND IS DISCLOSED TO YOU ON CONDITION THAT NO FURTHER DISCLOSURE IS MADE BY YOU TO OTHER THAN PEXON PERSONNEL WITHOUT WRITTEN AUTHORIZATION FROM PEXON LTD.



- Notes:
- 1 Dimensions shall be interpreted per ASME Y14.5M
 - 2 Mechanical performance(See the table 1)
 - <2.1>The force is the average of forces obtained when plunger goes downwards and upwards
 - <2.2>Warning:Working height are not permitted to be less than Min working height
 - 3 Electrical performance
 - <3.1>Current rating: 2.0A
 - <3.2>Voltage rating: 36VAC/DC
 - <3.3>Dynamic Resistance:30mOhm Max (between max and min working height)
 - <3.4>Insulation Resistance:100MOhm minimum
 - 4 Environmental performance
 - <4.1> RoHS compliant
 - <4.2>Salt Spray:48h Min
 - <4.3>Operating Temperature range: -40°C~+85°C
 - <4.4>Withstanding Higt Temperature:260°C/10Sec
 - 5 Packaging:Carrier tape

Working Height	5.50mm	125±35gf
Durability	10000 Cycles Min.	



Item	Part Name	Q'TY	Material	Finish
5	CAP	1	High temp.Plastic; UL94 V-0 Color Black	-----
4	Body	4	Leaded Brass	Au plating 0.1um min Ni plating 1.4um min
3	Plunger	4	Leaded Brass	Au plating 0.4um min Ni plating 1.4um min
2	Spring	4	Stainless steel wire	-----
1	Housing	1	High temp.Plastic; UL94 V-0 Color Black	-----

Top-Link
Electronics Ltd.
TOLERANCES UNLESS
OTHER SPECIFIED
0. = ± -
0.0 = ± 0.15
0.00 = ± 0.10
0.000 = ± -
Angle: ±°
SURF TEXTURE:
REMOVE BURRS.
BREAK SHARP EDGES
R0.05 MAX.DO NOT
SCALE PRINT.

Type	Customer drawing	Unit	mm
DWN:	Caiwanlu	APVD:	
CHK:		REL:	
NAME	Pogo PIN Connector		
Scale	1:1	Size	A4
Part NO.	C-100104-4	Page	1/1
Rev:	XA		

XA	New Release	2017.03.15
Item	Revision record	Date

PEXON



PEXON

E-mail: sale@pinconnector.com

WhatsApp: +86-13361867201

www.pinconnector.com