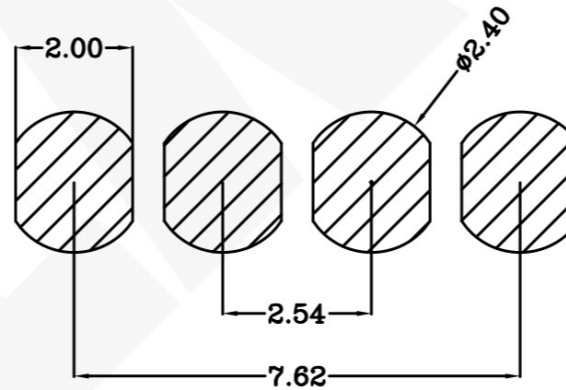
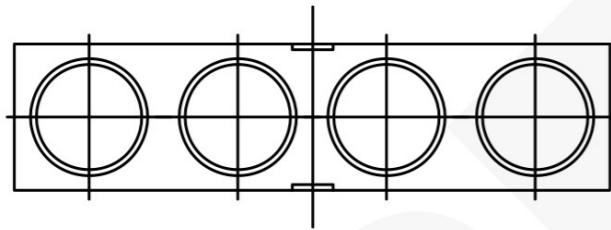
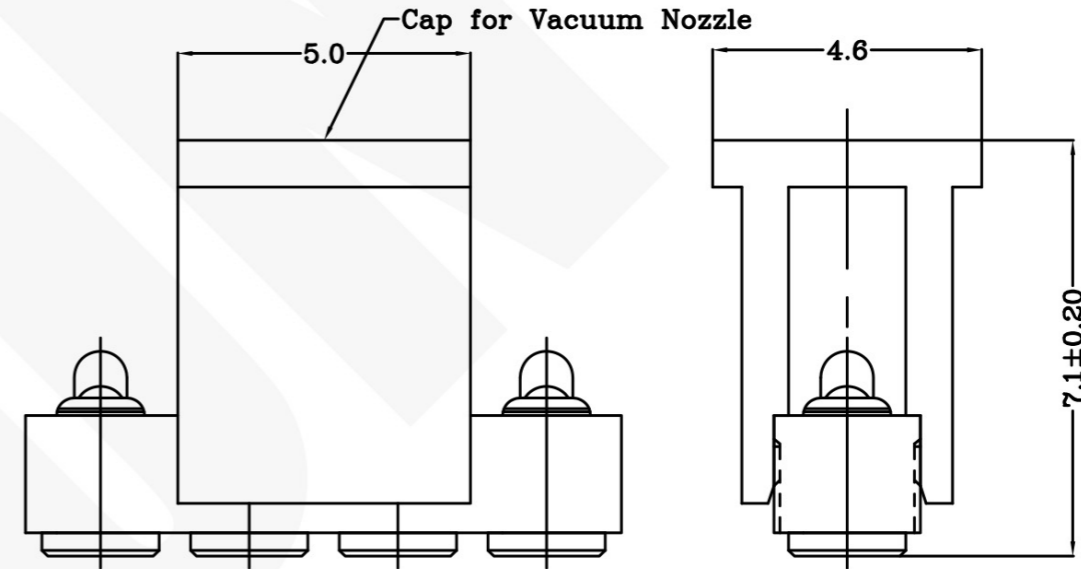
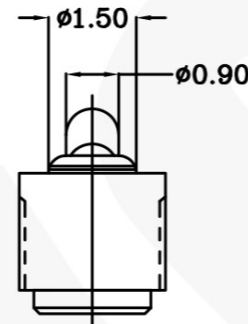
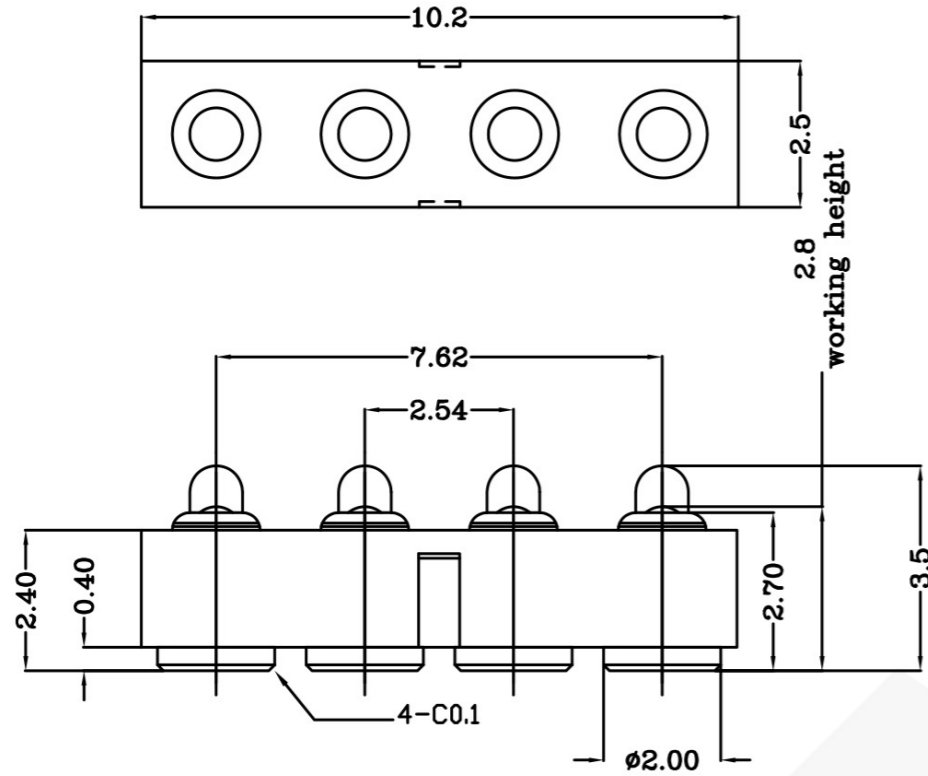


THIS INFORMATION IS CONFIDENTIAL AND IS DISCLOSED TO YOU ON CONDITION THAT NO FURTHER DISCLOSURE IS MADE BY YOU TO OTHER THAN PEXON PERSONNEL WITHOUT WRITTEN AUTHORIZATION FROM PEXON LTD.

DWG NO.
C-100366



USED ON
-



Recommended PCB Layout

- Notes:
- Material, Housing: PA 4.6 (30% Glass Filled)
Color Black.
Contact: Brass
 - Mechanical demands:
Plating Plunger: Min 0.4um Au over 1.4um Ni
Plating Body: Min 0.1um Au over 1.4um Ni.
Force: 75gf min. at 0.7mm stroke.
Resistance: Max. 30 mOhm at working point.
Full stroke is 0.8mm

100366-4

PART NUMBER

FIN - ✓

DIMENSIONS IN MM
TOLERANCES UNLESS
OTHER SPECIFIED

0 = ±-
0.0 = ±0.15
0.00 = ± 0.10
0.000 = ±
ANGLE: ±1°

SURF TEXTURE: 3.2/
REMOVE BURRS. BREAK
SHARP EDGES R0.05 MAX
DO NOT SCALE PRINT

MATL	1	HT TR	-	FIN	- ✓
DWN	Jim	APVD	Lansing	<h1>Pexon</h1>	
CHK	Andy	REL			
NAME BATTERY POGO CONNECTOR 4 POSITIONS PGC-1.5-3.5-R-4P-2.54PH					
SCALE	1:1	A4	DWG NO. C-100366	SHEET 1 OF 1	REV A

LDC	-
DIST	-

	NEW		2008/07/30
LTR	REVISION RECORD	APVD	DATE

4

3

2

1

D

C

B

A



PEXON

E-mail: sale@pinconnector.com

WhatsApp: +86-13361867201

www.pinconnector.com