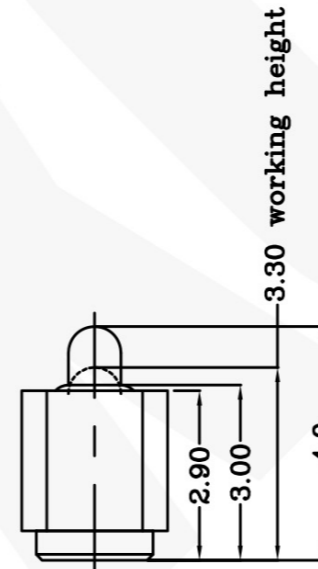
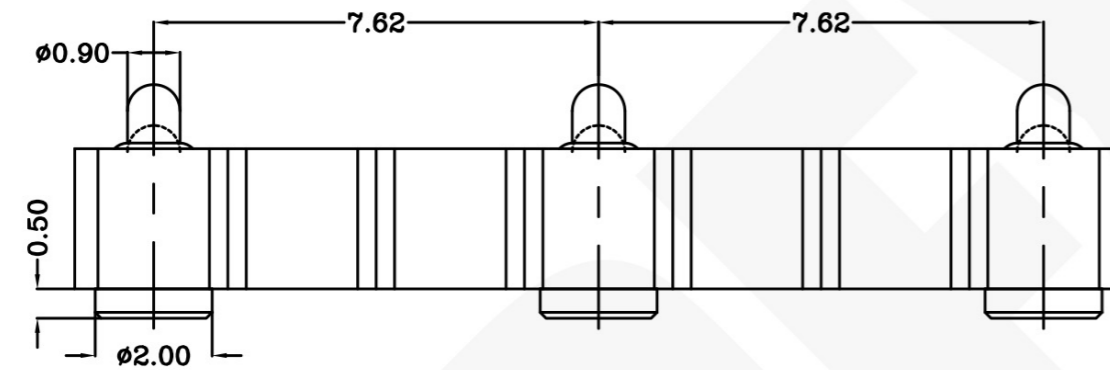
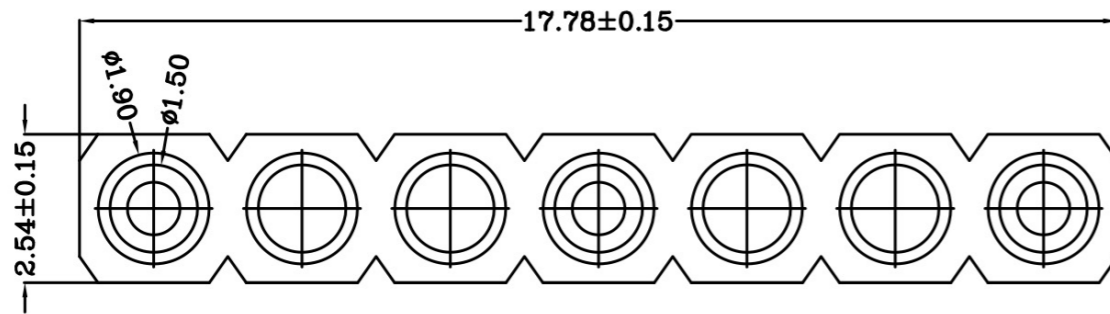


USED ON

DWG NO. C-110667



THIS INFORMATION IS CONFIDENTIAL AND IS DISCLOSED TO YOU ON CONDITION THAT NO FURTHER DISCLOSURE IS MADE BY YOU TO OTHER THAN PEXON PERSONNEL WITHOUT WRITTEN AUTHORIZATION FROM PEXON LTD.



Notes:

- 1 Material(材质):
Housing: PA 4.6 (30% Glass Filled) Color Black.
Contact: Brass
Spring :Stainless steel wire
- 2 Plating:
1)Body: Min 0.1um Gold plating over min. 1.4um Nickel plating
(Body: 镀金0.1um Min 镍底1.4um Min)
2)Plunger: Min 0.4um Gold plating over min. 1.4um Nickel plating
(Plunger: 镀金0.4um Min 镍底1.4um Min)
- 3 Mechanical:
Total stroke(总行程): 0.90mm
Durability(寿命): 10,000 cycle min.
- 4 Electrical(电性能)
Contact resistance(接触阻抗): 30mOhm Max
Voltage rating(额定电压): 36V DC Max
Current rating(额定电流): 2.0A

LDC	-
DIST	-

	NEW		2008/03/19
LTR	REVISION RECORD	APVD	DATE

DIMENSIONS IN MM
TOLERANCES UNLESS
OTHER SPECIFIED
0 = ±-
0.0 = ±0.15
0.00 = ±0.10
0.000 = ±
ANGLE: ±1°
SURF TEXTURE: 3.2/
REMOVE BURRS. BREAK
SHARP EDGES R0.05 MAX
DO NOT SCALE PRINT

MATL	1	HT TR	-	FIN	-
DWN		APVD		Pexon	
CHK		REL			
NAME	PGO CONNECTOR PGC-1.5-4.0-R-3P-7.62PH				
SCALE	1:1	A4	DWG NO. C-110667	SHEET 1 OF 1	REV 1

110667-3

PART NUMBER

4

3

2

1

D

C

B

A



PEXON

E-mail: sale@pinconnector.com

WhatsApp: +86-13361867201

www.pinconnector.com