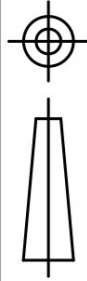
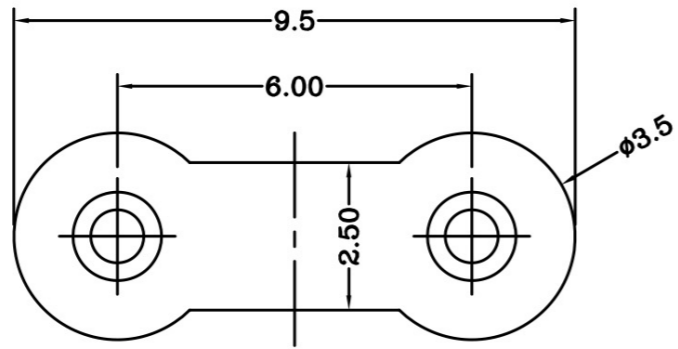


THIS INFORMATION IS CONFIDENTIAL AND IS DISCLOSED TO YOU ON CONDITION THAT NO FURTHER DISCLOSURE IS MADE BY YOU TO OTHER THAN PEXON PERSONNEL WITHOUT WRITTEN AUTHORIZATION FROM PEXON LTD.

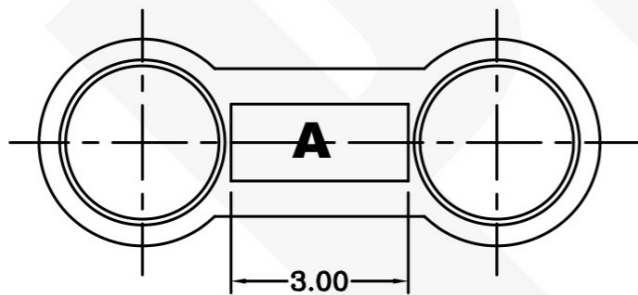
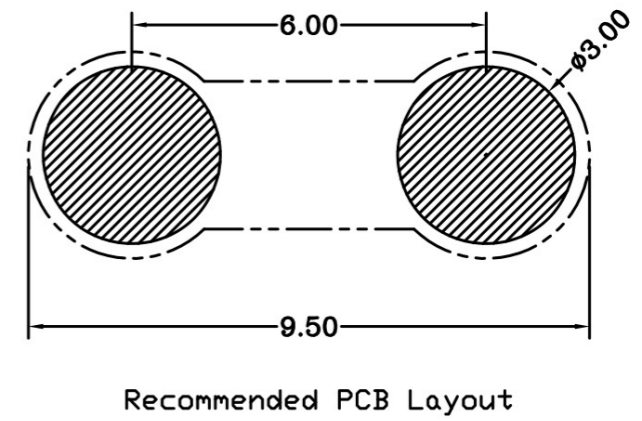
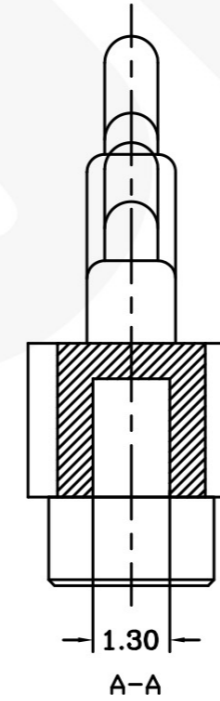
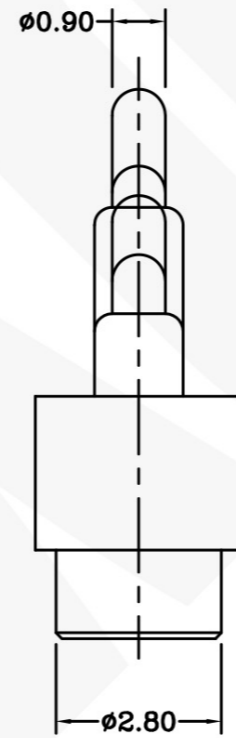
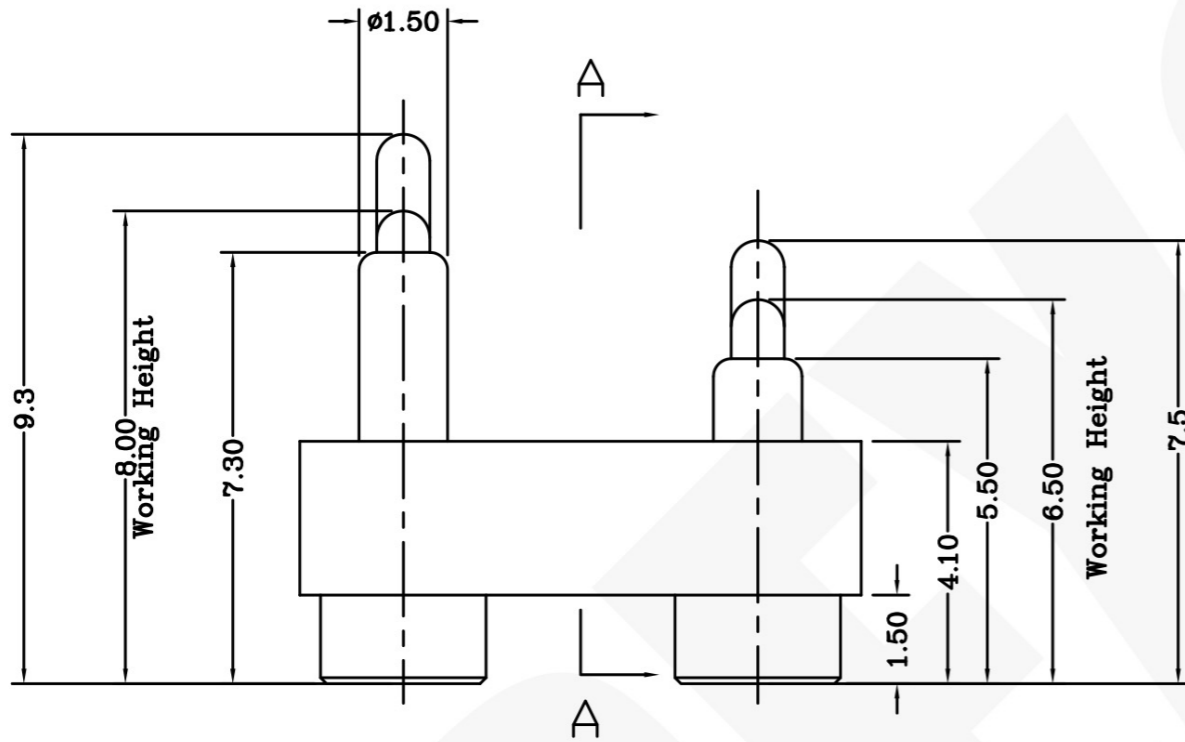
DWG NO.
C-100034



USED ON
-



Notes:
 1 Material, Housing: PA 4.6 (30% Glass Filled)
 Color Black.
 Contact: Brass
 2 Mechanical demands:
 Plating Plunger: 0.5um Au over 2.5um Ni
 Plating Body: 0.125um Au over 1.4um Ni.



100034-2

PART NUMBER

FIN - ✓

DIMENSIONS IN MM
 TOLERANCES UNLESS
 OTHER SPECIFIED
 0 = ±
 0.0 = ±0.15
 0.00 = ±0.10
 0.000 = ±
 ANGLE: ±1°
 SURF TEXTURE: 3.2/
 REMOVE BURRS. BREAK
 SHARP EDGES R0.05 MAX
 DO NOT SCALE PRINT

MATL	1	HT TR	-	FIN	- ✓
DWN	Benny	APVD	Lansing	Pexon	
CHK	Andy	REL			
NAME BATTERY POGO CONNECTOR 2 POSITIONS (PGC-1.5-7.5/9.3-R-2P-6.0PH)					
SCALE	1:1	A4	DWG NO. C-100034	SHEET	1 OF 1
				REV	B

LOC	-
DIST	-

	update remark		2007/09/07
LTR	REVISION RECORD	APVD	DATE

4

3

2

1

D

C

B

A



PEXON

E-mail: sale@pinconnector.com

WhatsApp: +86-13361867201

www.pinconnector.com