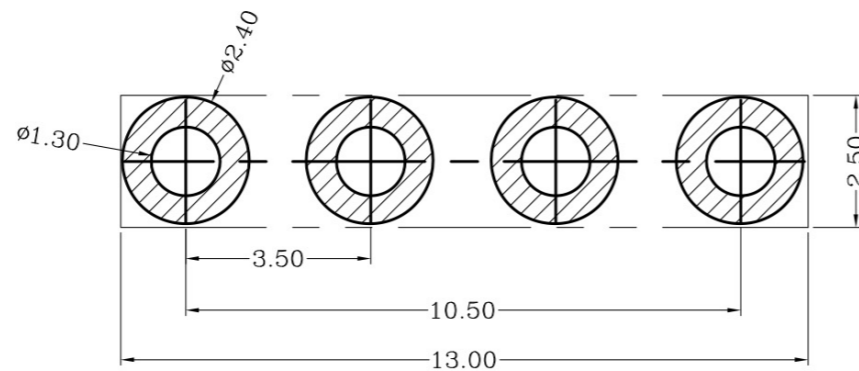
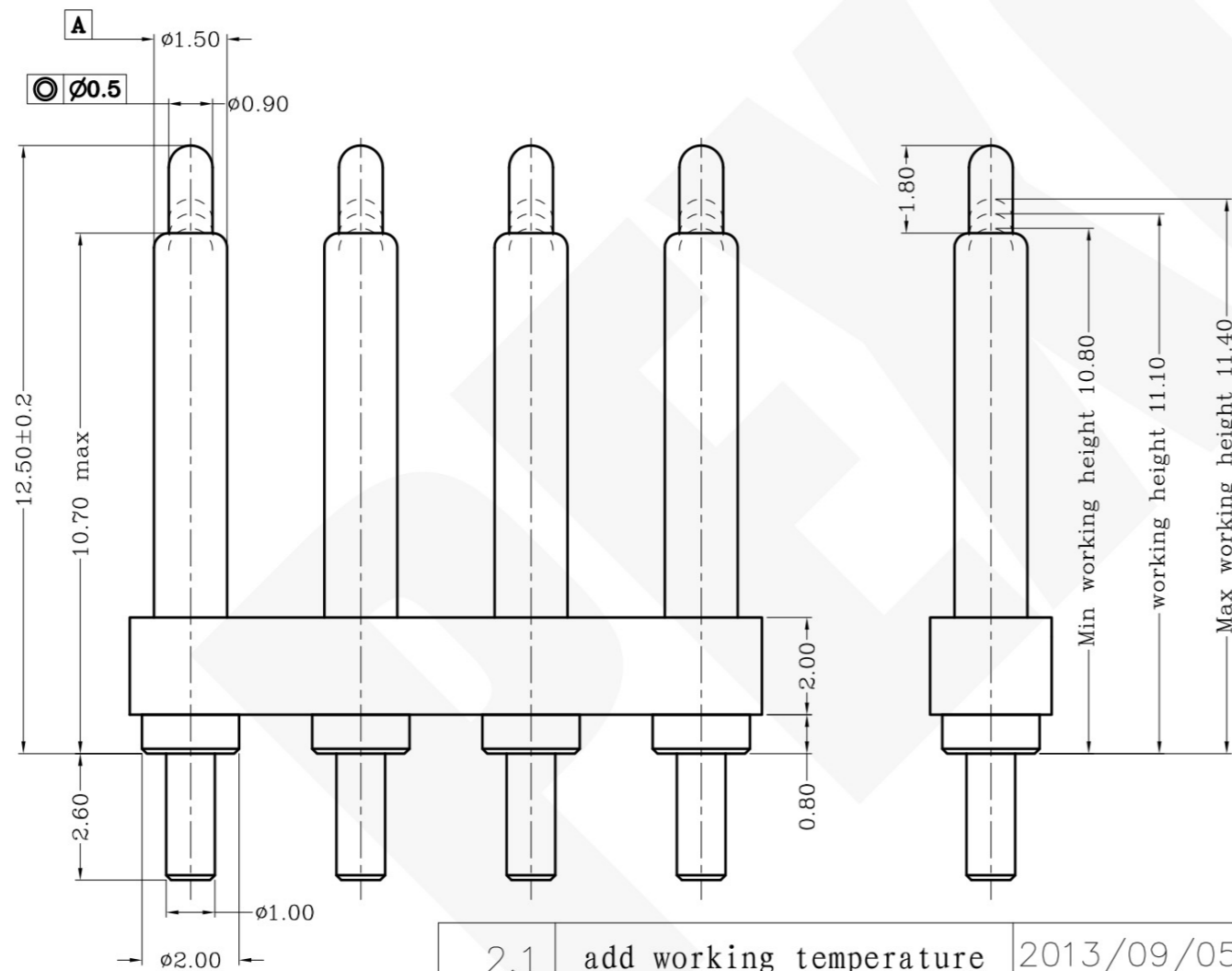
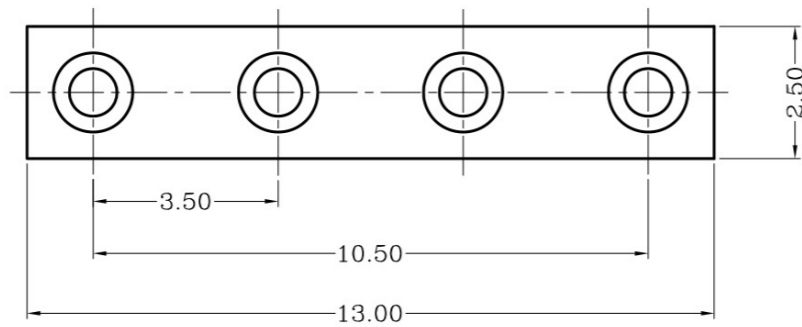




DIST  
---  
DIST  
---



Recommended PCB Layout



|      |                         |            |
|------|-------------------------|------------|
| 2.1  | add working temperature | 2013/09/05 |
| 2    | change dimensions       | 2013/07/09 |
| 1    | NEW                     | 2013/06/26 |
| Rev. | Revision record.        | Date.      |

| Item | Part name | Q'ty/Ea' | Material                                  | Finish                           |
|------|-----------|----------|---|----------------------------------|
| 1    | HSG       | 1        | High temp.Plastic<br>UL94 V-0 Color Black | ---                              |
| 2    | Body      | 4        | Leaded Brass                              | Gold plating over Nickel plating |
| 3    | Plunger   | 4        | Leaded Brass                              | Gold plating over Nickel plating |
| 4    | Spring    | 4        | Stainless steel wire                      | ---                              |
| 5    |           |          |   |                                  |

Notes:

- Dimensions shall be interpreted per ASME Y14.5M.
- Mechanical performance(See the table 1)  
<2.1>The force is the average of forces obtained when plunger goes downwards and upwards.  
<2.2>Warning: Working height are not permitted to be less than Min working height.
- Electrical performance  
Resistance: 30mOhm Max.  
Current rating: 2.0A
- Packaging specification conforms to EIA 481
- Working temperature -40°C~+85°C and storing temperature -40°C~+85°C
- RoHS compliant.

|                |  |               |
|----------------|--|---------------|
| working height | 11.1mm                                       | 120±30gf<2.1> |
| Durability     | 10000cycles or Ten years(within 10000cycles) |               |

1101007-4  
PART NUMBER

|   |  |         |                  |       |     |                    |
|---|--|---------|------------------|-------|-----|--------------------|
| Top-Link Electronics Ltd.   |  | Type    | Customer drawing | Unit  | mm  | Weight             |
| TOLERANCES UNLESS OTHER SPECIFIED   |  | DWN:    | Gui zhiguo       | APVD: |     | <b>PEXON</b>       |
| 0. = ± -  |  | CHK:    |                  | REL:  |     |                    |
| 0.0 = ± 0.15  |  | Name    |                  |       |     | Pogo pin connector |
| 0.00 = ± 0.10   |  | Scale   | 1:1              | Size  | A4  |                    |
| 0.000 = ± -   |  | DWG No. | 1101007          | Page  | 1/1 | Rev.               |
| Angle: ±1°  |  |         |                  |       |     | 2.1                |
| SURF TEXTURE: REMOVE BURRS. BREAK SHARP EDGES R0.05 MAX.DO NOT SCALE PRINT. |  |         |                  |       |     |                    |



**PEXON**

E-mail: [sale@pinconnector.com](mailto:sale@pinconnector.com)

WhatsApp: +86-13361867201

[www.pinconnector.com](http://www.pinconnector.com)