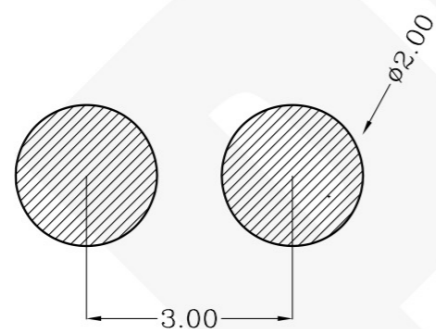
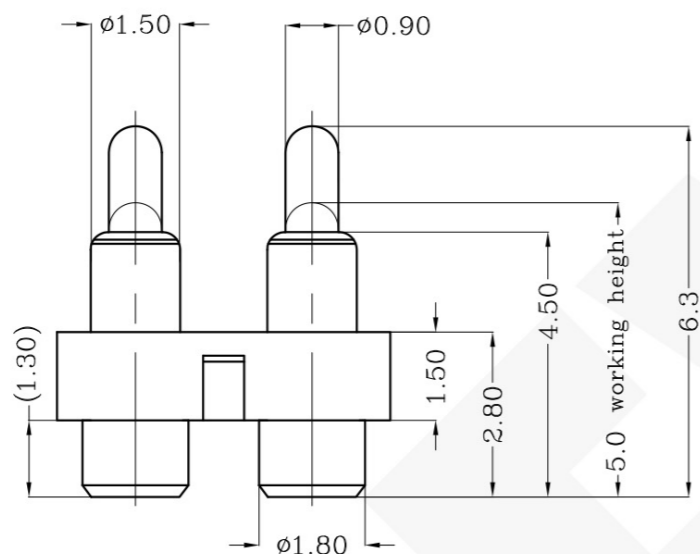
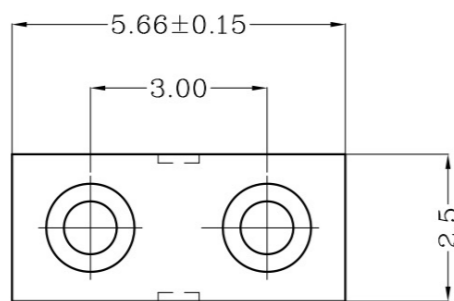


THIS INFORMATION IS CONFIDENTIAL AND IS DISCLOSED TO YOU ON CONDITION THAT NO FURTHER DISCLOSURE IS MADE BY YOU TO OTHER THAN PEXON PERSONNEL WITHOUT WRITTEN AUTHORIZATION FROM PEXON LTD.

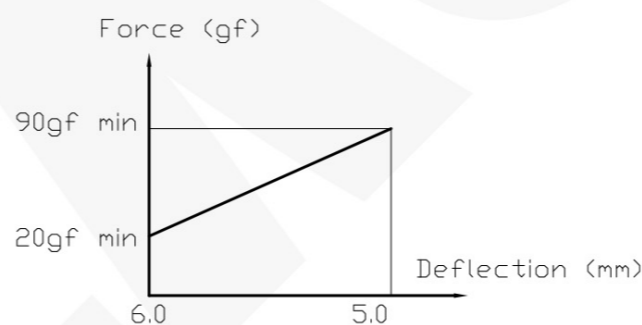
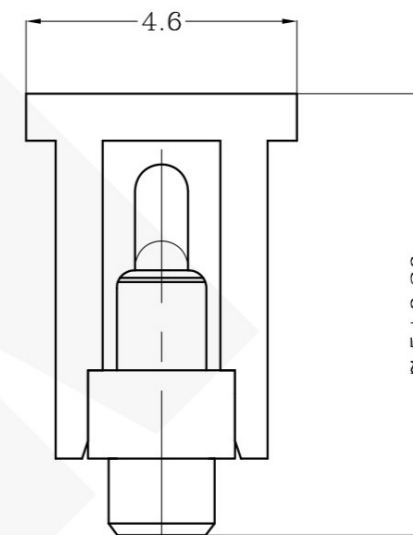
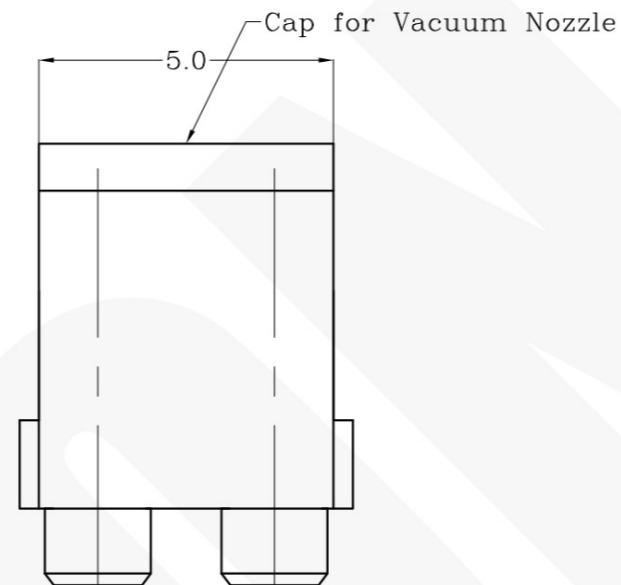
DWG NO.
C-100160



USED ON
-



Recommended solder paste thickness is 0.10 mm
Recommended PCB Layout



Notes:

1 Material, Housing: PA 4.6 (30% Glass Filled)
Color Black.

Contact: Brass

2 Mechanical demands:

Plating Plunger: Min 0.4um Au over 1.4um Ni
Plating Body: Min 0.10um Au over 1.4um Ni.

DIMENSIONS IN MM
TOLERANCES UNLESS
OTHER SPECIFIED
0 = ±-
0.0 = ±0.15
0.00 = ±0.10
0.000 = ±
ANGLE: ±1°
SURF TEXTURE: 3.2/
REMOVE BURRS. BREAK
SHARP EDGES R0.05 MAX
DO NOT SCALE PRINT

MATL	1	HT TR	-	FIN	- ✓
DWN	Qin	APVD		PEXON	
CHK		REL			
NAME	BATTERY POGO CONNECTOR 2 POSITIONS PGC-1.5-6.3-R-2P-3.0PH				
SCALE	1:1	A4	DWG NO.	C-100160	SHEET 1 OF 1
					REV C

LOC	-
DIST	-

LTR	update remark	2007/09/24
REVISION RECORD	APVD	DATE

4

3

2

1

D

C

B

A



PEXON

E-mail: sale@pinconnector.com

WhatsApp: +86-13361867201

www.pinconnector.com