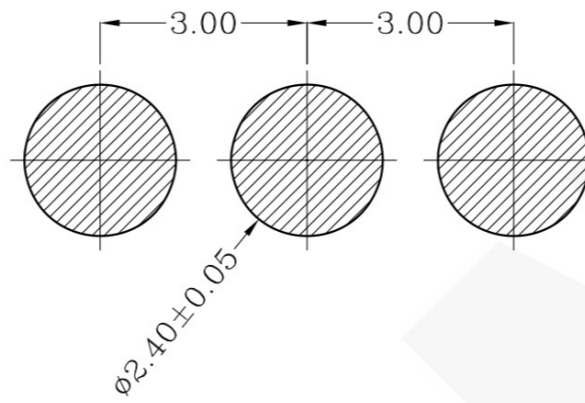
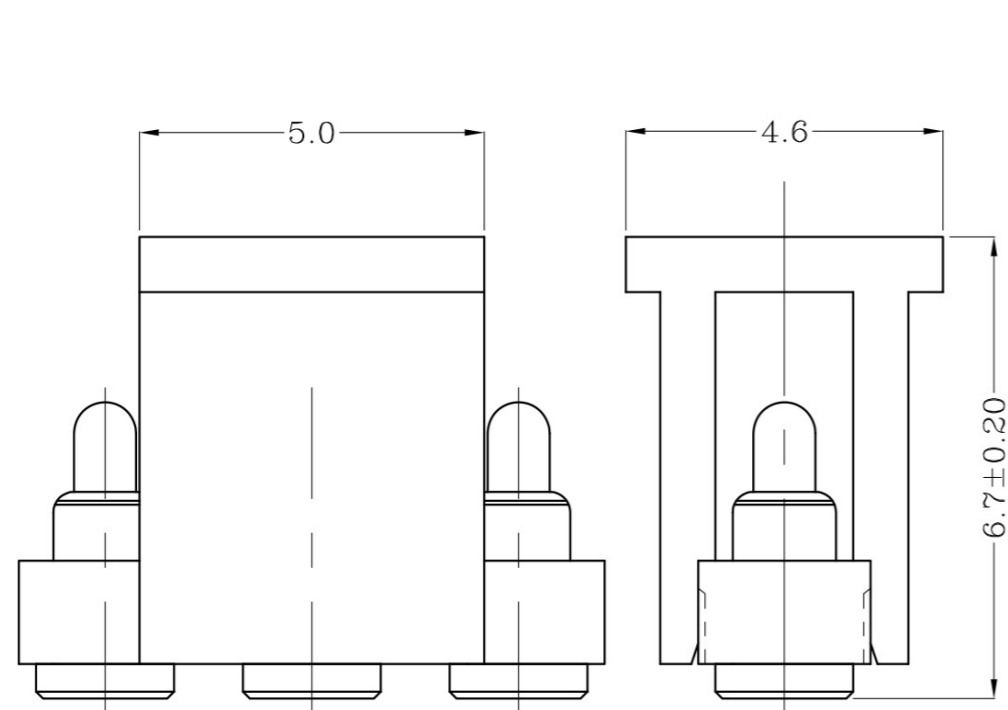


THIS INFORMATION IS CONFIDENTIAL AND IS DISCLOSED TO YOU ON CONDITION THAT NO FURTHER DISCLOSURE IS MADE BY YOU TO OTHER THAN PEXON PERSONNEL WITHOUT WRITTEN AUTHORIZATION FROM PEXON LTD.

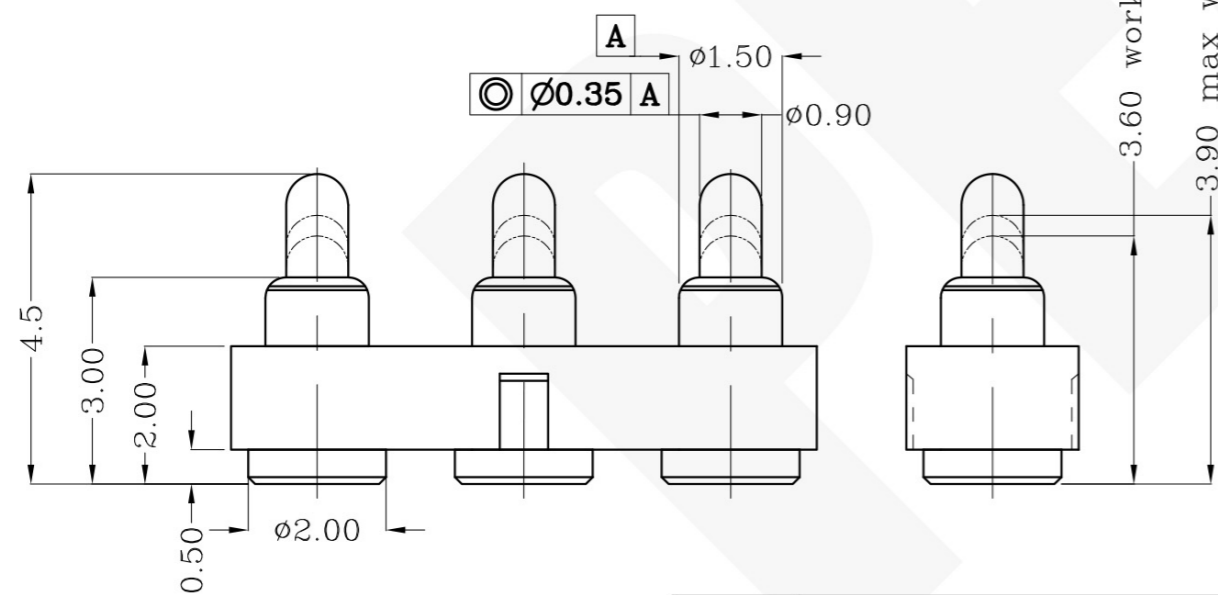
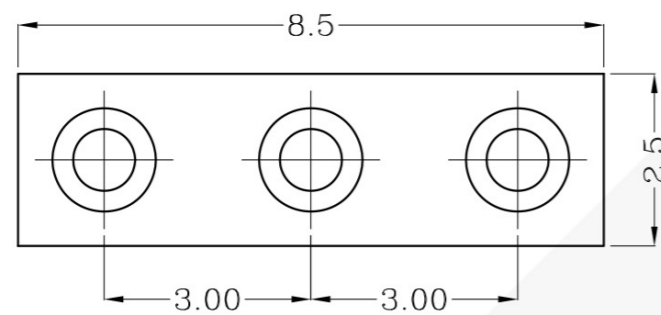
DWN No.: C-100430



Recommended PCB Layout

Item	Part name	Q'ty/Ea'	Material	Finish
1	HSG	1	High temp.Plastic	_____
2	Body	3	Leaded Brass	Gold plating over Nickel plating
3	Plunger	3	Leaded Brass	Gold plating over Nickel plating
4	Spring	3	Stainless steel wire	_____
5	CAP	1	High temp.Plastic	_____

Table 1 Mechanical performance		
Max.working height	3.90mm	80gf min<2.1>
Min.working height	3.60mm	180gf max
Durability	10000cycle	



Notes:

- Dimensions shall be interpreted per ASME Y14.5M.
- Mechanical performance(See the table 1)  
 <2.1>The force is the average of forces obtained when plunger goes downwards and upwards.  
 <2.2>Warning: Working height are not permitted to be less than Min working height.
- Electrical performance  
 Resistance: 30mOhm Max.  
 Current rating: 2.0A
- Packaging specification conforms to EIA 481
- RoHS compliant.

100430-3  
PART NUMBER

Top-Link Electronics Ltd.		Type	Customer drawing	Unit	mm	Weight
TOLERANCES UNLESS OTHER SPECIFIED		DWN:	Gui zhiguo	APVD:		<b>Pexon</b>
0. = ± -		CHK:		REL:		
0.0 = ± 0.15		Name				Pogo pin connector
0.00 = ± 0.10		Scale	1:1	Size	A4	
0.000 = ± -		DWG No.	C-100430	Page	1/1	Rev.
Angle: ±'						1
SURF TEXTURE: REMOVE BURRS. BREAK SHARP EDGES R0.05 MAX.DO NOT SCALE PRINT.						2
						3
						4

Rev.	Revision record.	Date.
	NEW	2014/06/18

DIST  
---

DIST  
---

4

3

2

1



**PEXON**

E-mail: [sale@pinconnector.com](mailto:sale@pinconnector.com)

WhatsApp: +86-13361867201

[www.pinconnector.com](http://www.pinconnector.com)