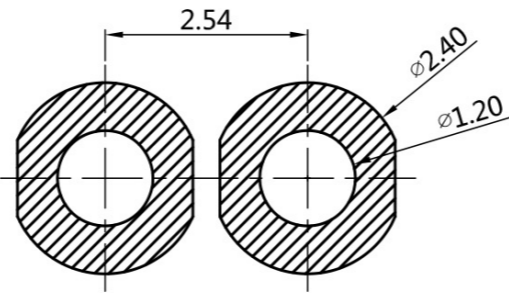
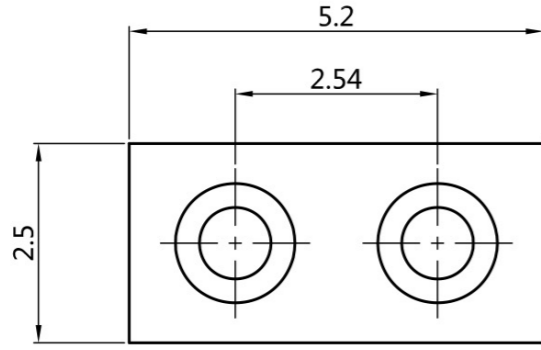
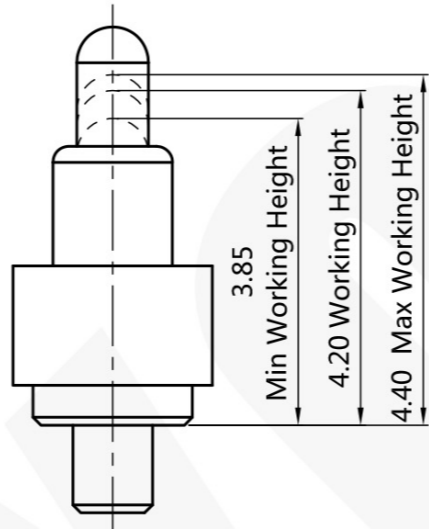
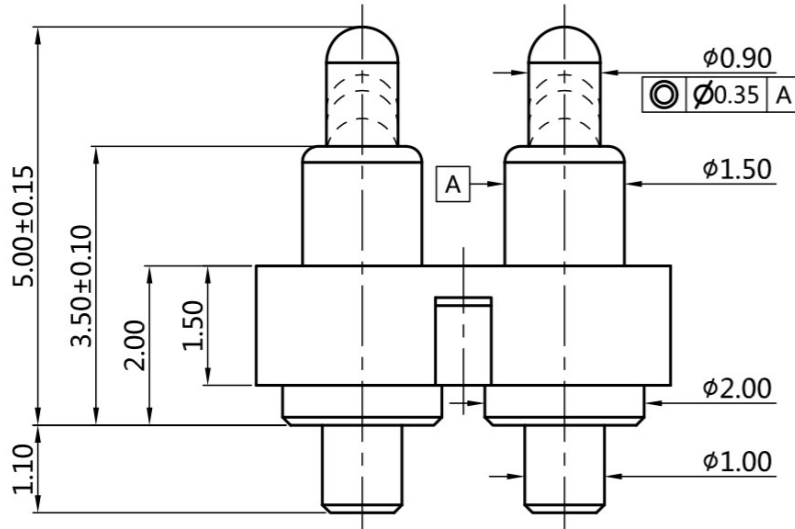


THIS INFORMATION IS CONFIDENTIAL AND IS DISCLOSED TO YOU ON CONDITION THAT NO FURTHER DISCLOSURE IS MADE BY YOU TO OTHER THAN PEXON PERSONNEL WITHOUT WRITTEN AUTHORIZATION FROM PEXON LTD.

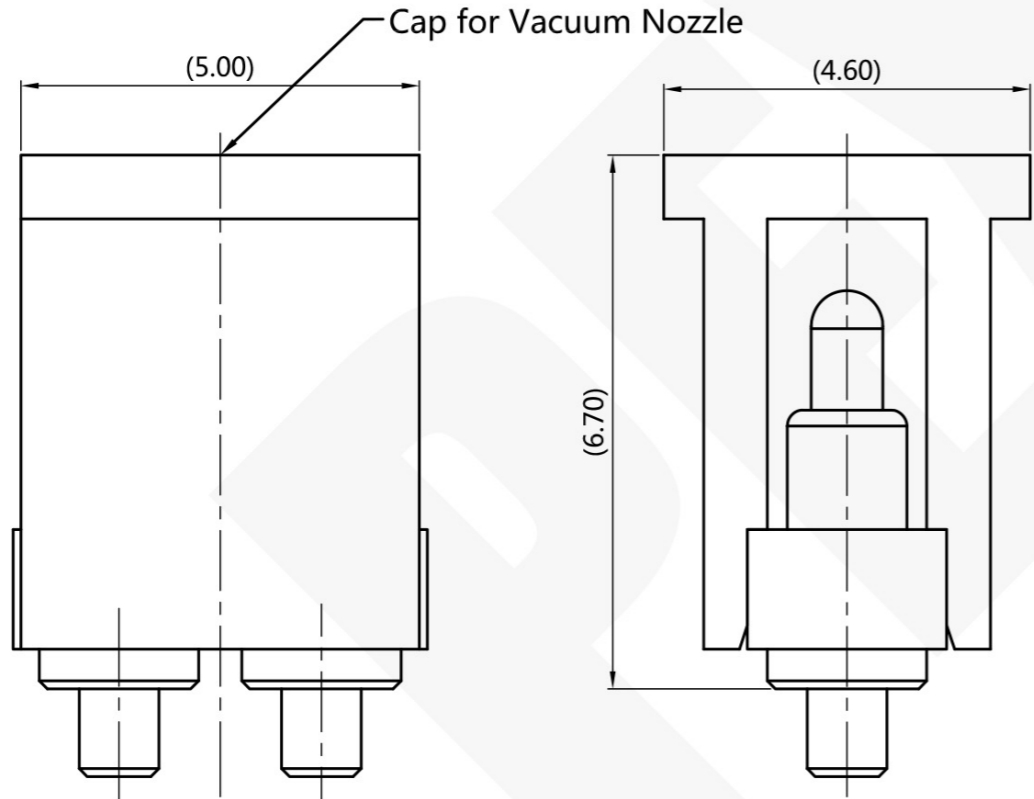


**RECOMMEND PCB LAYOUT(TOP VIEW)**  
Layout Tolerance: ± 0.05mm



- Notes:**
- Dimensions shall be interpreted per ASME Y14.5M
  - Mechanical performance(See the table 1)
    - <2.1>The force is the average of forces obtained when plunger goes downwards and upwards
    - <2.2>Warning:Working height are not permitted to be less than Min working height
  - Electrical performance
    - <3.1>Current rating: 2.0A
    - <3.2>Voltage rating: 36VAC/DC
    - <3.3>Dynamic Resistance:30mOhm Max (between max and min working height)
    - <3.4>Insulation Resistance:100MOhm minimum
  - Environmental performance
    - <4.1> RoHS2.0 compliant
    - <4.2>Operating Temperature range:-40°C~+85°C
    - <4.3>Withstanding High Temperature:260°C/10Sec
  - Packaging:Carrier tape

Working Height	4.20mm	80 <sup>+60</sup> <sub>+20</sub> gf
Durability	10000 Cycles Min.	



Item	Part Name	Q'TY	Material	Finish
5	CAP	1pcs	High temp.Plastic; UL94 V-0 Color Black	-----
4	Body	2pcs	Leaded Brass	Au 0.1um min plated over 1.4um min Ni
3	Plunger	2pcs	Leaded Brass	Au 0.4um min plated over 1.4um min Ni
2	Spring	2pcs	Stainless steel wire	-----
1	Housing	1pcs	High temp.Plastic; UL94 V-0 Color Black	-----

Top-Link Electronics LTD.  
TOLERANCES UNLESS OTHER SPECIFIED  
0. = ± 0.25  
0.0 = ± 0.15  
0.00 = ± 0.10  
0.000 = ± 0.05  
Angle: ± 1°  
SURF TEXTURE: Ra1.6  
REMOVE BURRS.  
BREAK SHARP  
EDGES R0.05 MAX.

Item	Revision record	Date
D	Update	2020.04.07
C	Change Body	2007/04/12

Type	Customer drawing		Unit	mm
DRW:	C.W.L	APRD:		
CHK:		REL:		
Name	Pogo Pin Connector			
Scale	1:1	Size	A4	Part NO. 100047-2
				Page 1/1
				Rev: D

**PEXON**



**PEXON**

E-mail: [sale@pinconnector.com](mailto:sale@pinconnector.com)

WhatsApp: +86-13361867201

[www.pinconnector.com](http://www.pinconnector.com)