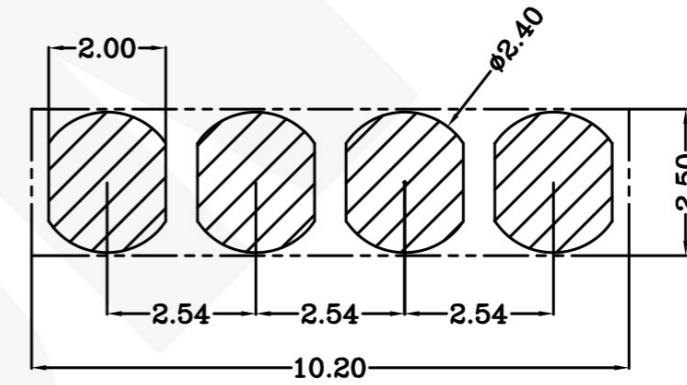
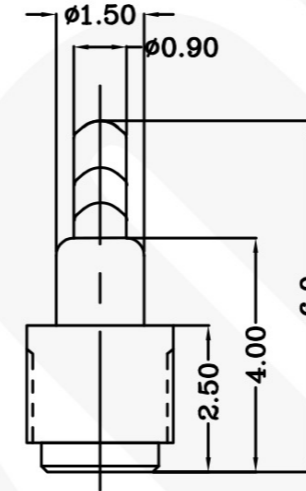
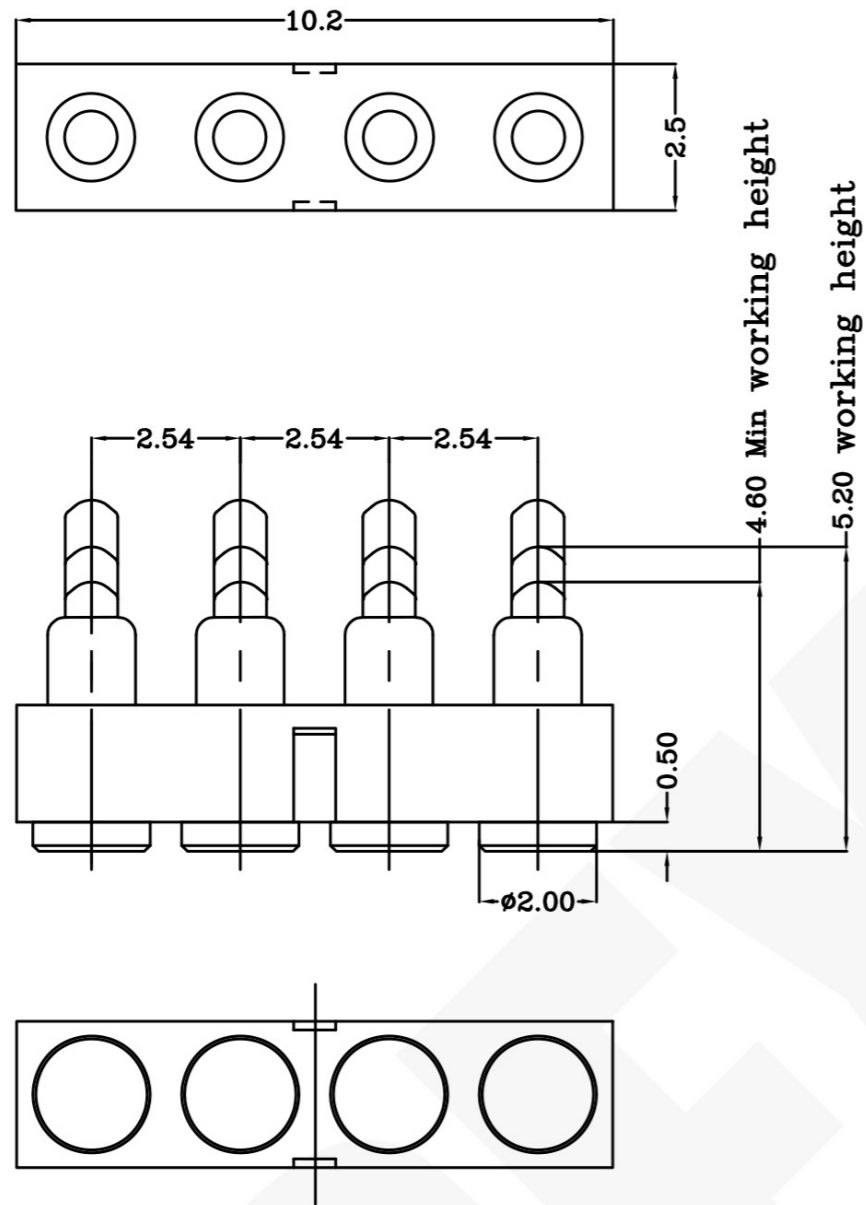


THIS INFORMATION IS CONFIDENTIAL AND IS DISCLOSED TO YOU ON CONDITION THAT NO FURTHER DISCLOSURE IS MADE BY YOU TO OTHER THAN PEXON PERSONNEL WITHOUT WRITTEN AUTHORIZATION FROM PEXON LTD.

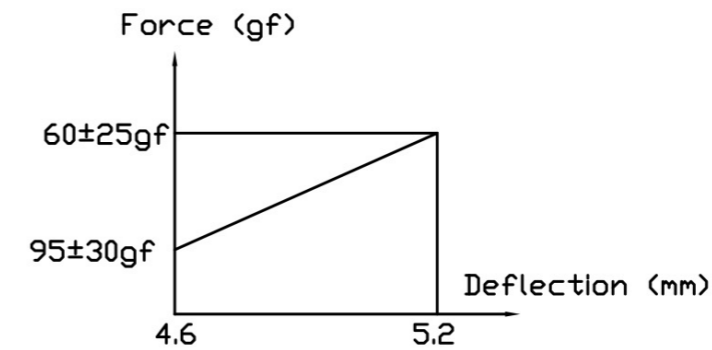
DWG NO.  
C-110415



USED ON  
-



Recommended PCB Layout



- Notes:  
 1 Material, Housing: PA 4.6 (30% Glass Filled)  
     Color Black.  
     Contact: Brass  
 2 Mechanical demands:  
     Plating Plunger: Min 0.4um Au over 1.4um Ni  
     Plating Body: Min 0.1um Au over 1.4um .

110415-4

PART NUMBER

DIMENSIONS IN MM TOLERANCES UNLESS OTHER SPECIFIED		MATL	HT TR	FIN
0	= ±-	1	-	-✓
0.0	= ±0.15	DWN	APVD	<b>PEXON</b>
0.00	= ± 0.10	Qin	Lansing	
0.000	= ±	CHK	REL	
ANGLE: ±1°		Jlm		
NAME BATTERY POGO CONNECTOR 4 POSITIONS PGC-1.5-6.0-R-4P-2.54PH				
SURF TEXTURE: 3.2/ REMOVE BURRS. BREAK SHARP EDGES R0.05 MAX DO NOT SCALE PRINT		SCALE	DWG NO.	SHEET
		1:1	A4	1 OF 1
			C-110415	REV
				A

LDC	-
DIST	-

	NEW		2008/10/24
LTR	REVISION RECORD	APVD	DATE

4

3

2

1



**PEXON**

E-mail: [sale@pinconnector.com](mailto:sale@pinconnector.com)

WhatsApp: +86-13361867201

[www.pinconnector.com](http://www.pinconnector.com)