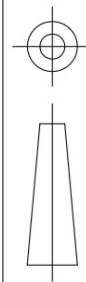
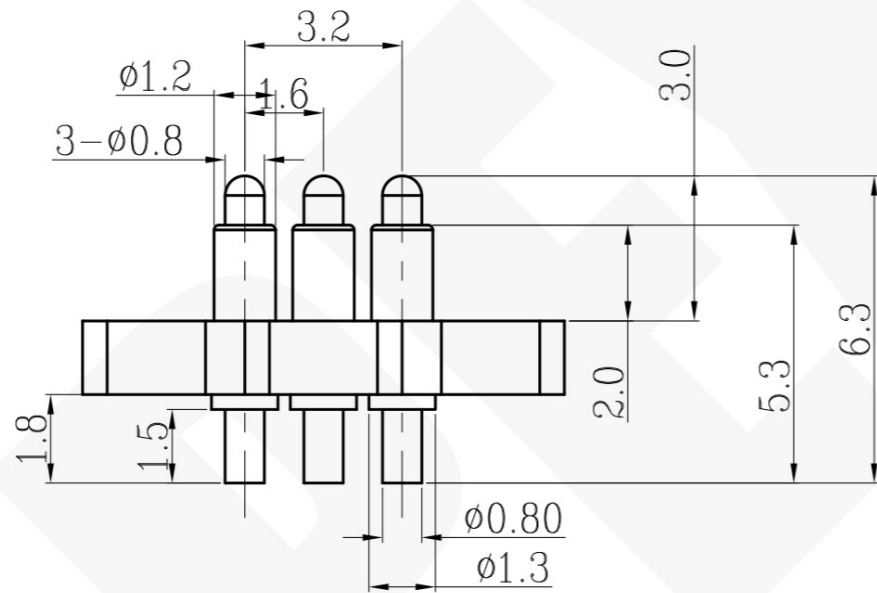
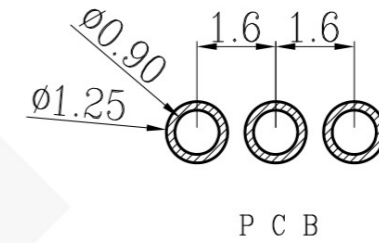
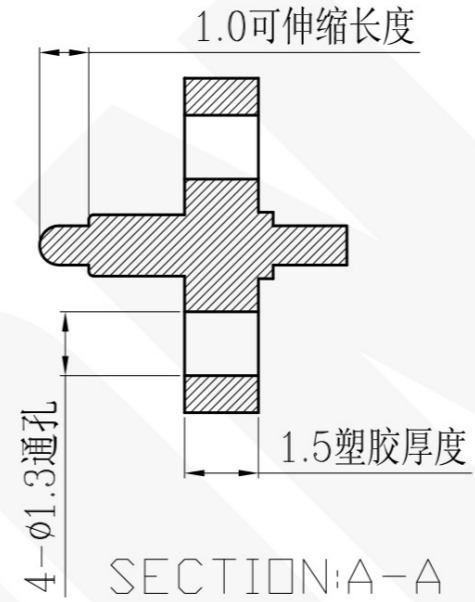
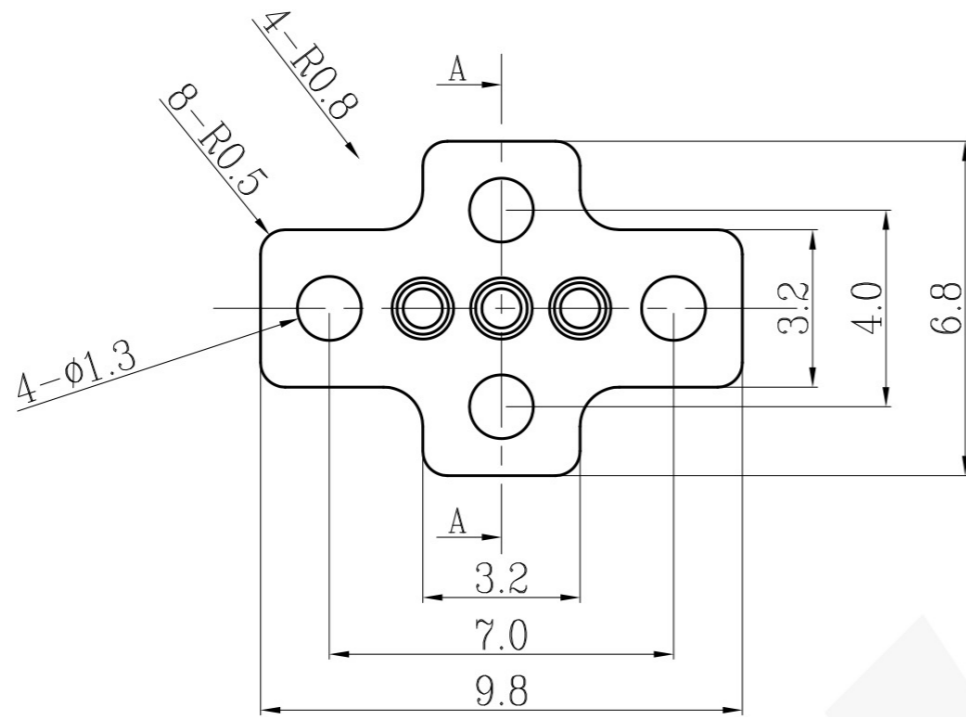


THIS INFORMATION IS CONFIDENTIAL AND IS DISCLOSED TO YOU ON CONDITION THAT NO FURTHER DISCLOSURE IS MADE BY YOU TO OTHER THAN PEXON PERSONNEL WITHOUT WRITTEN AUTHORIZATION FROM PEXON LTD.

DWG NO.  
C-110383



USED ON



Notes:

- 1 Material, Housing: PA 4.6 (30% Glass Filled)  
Color Black.  
Contact: Brass
- 2 Mechanical demands:  
Plating Plunger: Min 0.4Um Au over 1.4um Ni  
Plating Body: Min 0.1Um Au over 1.4um .

110383-3

PART NUMBER

DIMENSIONS IN MM  
TOLERANCES UNLESS  
OTHER SPECIFIED  
0 = ±-  
0.0 = ±0.15  
0.00 = ±0.10  
0.000 = ±-  
ANGLE: ±1°  
SURF TEXTURE: 3.2/  
REMOVE BURRS. BREAK  
SHARP EDGES R0.05 MAX  
DO NOT SCALE PRINT

MATL	1	HT TR	-	FIN	- ✓
DWN	Qin	APVD	Lansing	<b>PEXON</b>	
CHK	Jim	REL			
NAME POGO PIN CONNECTOR 3 POSITIONS 1.6PH PGC-1.2-5.0-R-3P-1.6PH					
SCALE	1:1	A4	DWG NO.	C-110383	SHEET 1 OF 1
				REV	A

LOC	-
DIST	-

LTR	NEW	APVD	DATE
			08 / 08 / 22

4

3

2

1

D  
C  
B  
A



**PEXON**

E-mail: [sale@pinconnector.com](mailto:sale@pinconnector.com)

WhatsApp: +86-13361867201

[www.pinconnector.com](http://www.pinconnector.com)