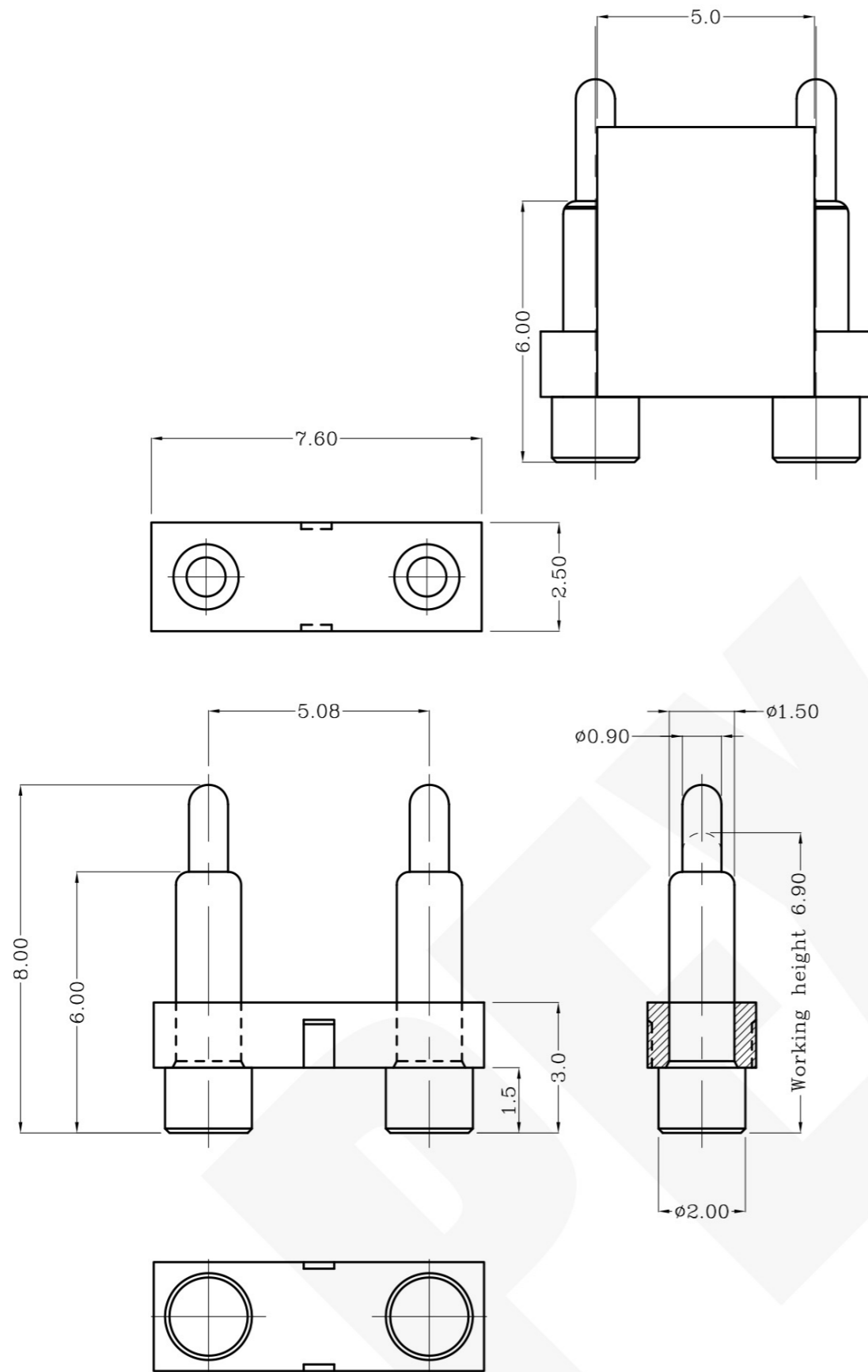
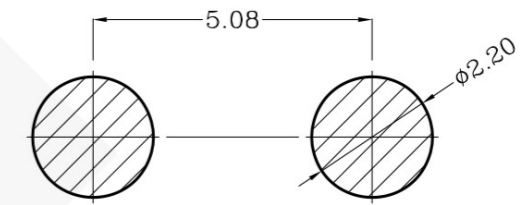


THIS INFORMATION IS CONFIDENTIAL AND IS DISCLOSED TO YOU ON CONDITION THAT NO FURTHER DISCLOSURE IS MADE BY YOU TO OTHER THAN PEXON PERSONNEL WITHOUT WRITTEN AUTHORIZATION FROM PEXON LTD.

DWN No: C-100048



Item	Part name	Q'ty/Ea'	Material	Finish
1	HSG	1	High temp.Plastic UL94 V-0 Color Black	—————
2	Body	2	Leaded Brass	Gold plating over Nickel plating
3	Plunger	2	Leaded Brass	Gold plating over Nickel plating
4	Spring	2	Stainless steel wire	—————
5	CAP	1	High temp.Plastic UL94 V-0 Color Black	—————



Recommended PCB Layout

Table 1 Mechanical performance		
Working height	6.9mm	110±30gf <2.1>
Durability	10000cycle	

Notes:

- 1 Demensions shall be interpreted per ASME Y14.5M.
- 2 Mechanical performance(See the table 1)
<2.1>The force is the average of forces obtained when plunger goes downwards and upwards.
<2.2>Warning:Working height are not permitted to be less than Min working height.
- 3 Electrical performance
Resistance: 30mOhm Max.
Current rating: 2.0A
- 4 Packaging Specification conforms to EIA 481
- 5 RoHS compliant.

100048-2

PART NUMBER

Top-Link Electronics Ltd.		Type	Customer drawing	Unit	mm	Weight	
TOLERANCES UNLESS OTHER SPECIFIED		DWN:	Minos	APVD:		PEXON	
0. = ± -		CHK:		REL:			
0.0 = ± 0.15		Name				Pogo pin connector	
0.00 = ± 0.10		Scale	1:1	Size	A4	DWG No.	C-100048
0.000 = ± -						Page	1/1
Angle: ±1°						Rev.	1
SURF TEXTURE: REMOVE BURRS. BREAK SHARP EDGES R0.05 MAX.DO NOT SCALE PRINT.							

Rev.	Revision record.	Date.
1	NEW	2014/08/19
3		

DIST

DIST



PEXON

E-mail: sale@pinconnector.com

WhatsApp: +86-13361867201

www.pinconnector.com