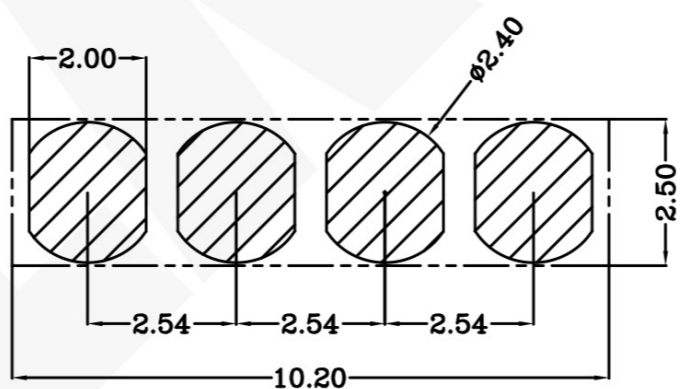
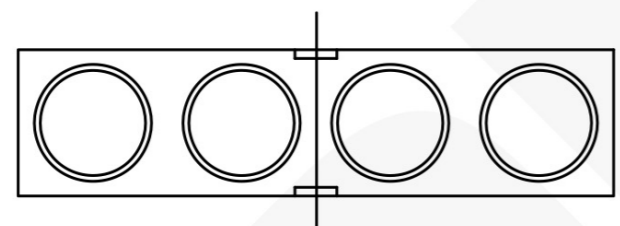
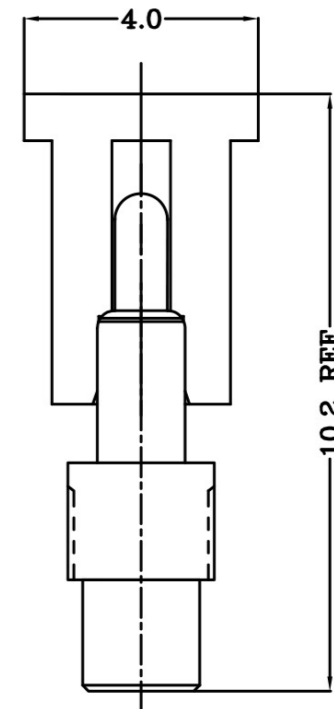
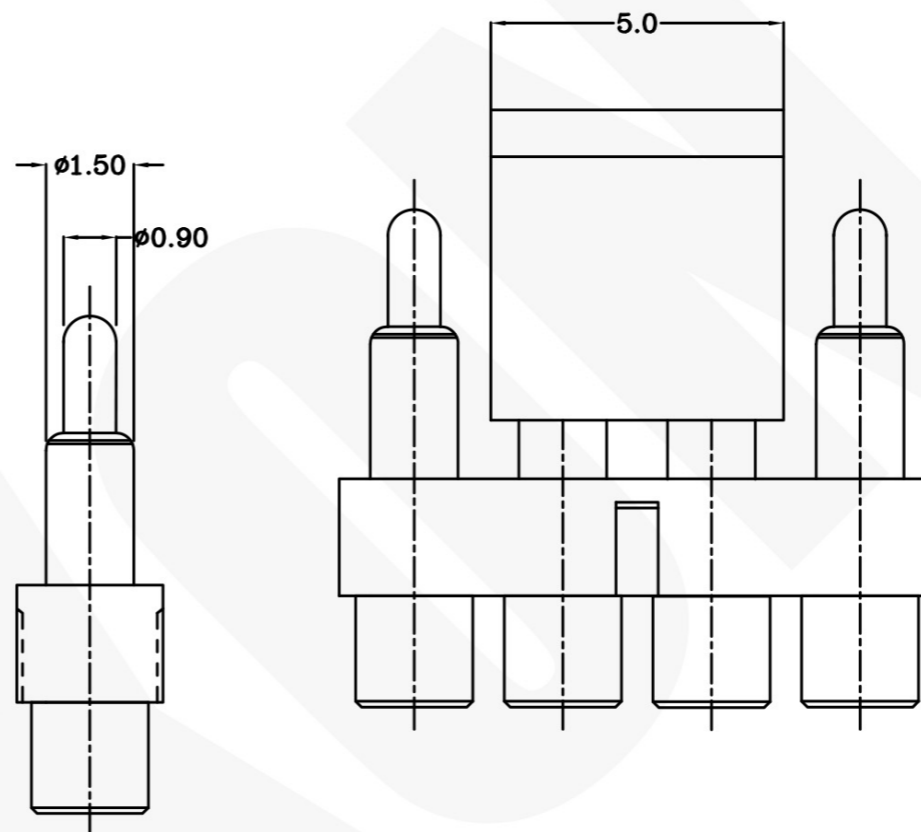
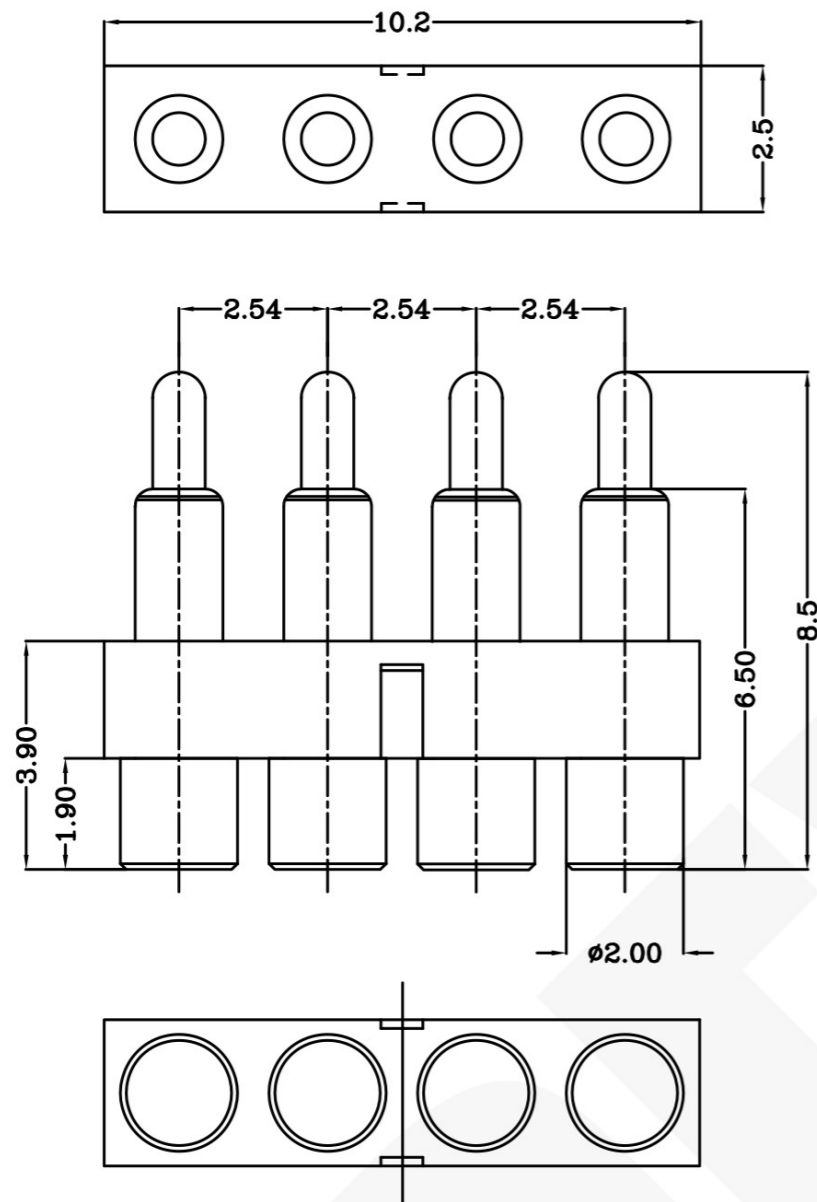


THIS INFORMATION IS CONFIDENTIAL AND IS DISCLOSED TO YOU ON CONDITION THAT NO FURTHER DISCLOSURE IS MADE BY YOU TO OTHER THAN PEXON PERSONNEL WITHOUT WRITTEN AUTHORIZATION FROM PEXON LTD.

DWG NO.
C-100143



USED ON
-



Recommended PCB Layout

- Notes:
- 1 Material, Housing: PA 4.6 (30% Glass Filled)
Color Black.
Contact: Brass
 - 2 Mechanical demands:
Plating Plunger: Min 0.4um Au over 1.4um Ni.
Plating Body: Min 0.1um Au over 1.4um Ni.

100143-4
PART NUMBER

MATERIAL: $\triangle 1$		HEAT TREATMENT: HT TR -		FINISH: FIN - \checkmark	
DRAWN BY: Benny		APPROVED BY: Lansing		Pexon	
CHECKED BY: Andy		RELEASED BY: REL			
NAME: BATTERY POGO CONNECTOR 4 POSITIONS PGC-1.5-8.5-R-4P-2.54PH					
SCALE: 1:1	SHEET: 1 OF 1	DWG NO.: C-100143	REV: A		

DIMENSIONS IN MM
TOLERANCES UNLESS
OTHER SPECIFIED
0 = \pm -
0.0 = ± 0.15
0.00 = ± 0.10
0.000 = \pm
ANGLE: $\pm 1^\circ$
SURF TEXTURE: $3.2/\sqrt{\quad}$
REMOVE BURRS. BREAK
SHARP EDGES R0.05 MAX
DO NOT SCALE PRINT

LTR	NEW	APVD	DATE
	REVISION RECORD		2007/08/07

LDC	-
DIST	-



PEXON

E-mail: sale@pinconnector.com

WhatsApp: +86-13361867201

www.pinconnector.com