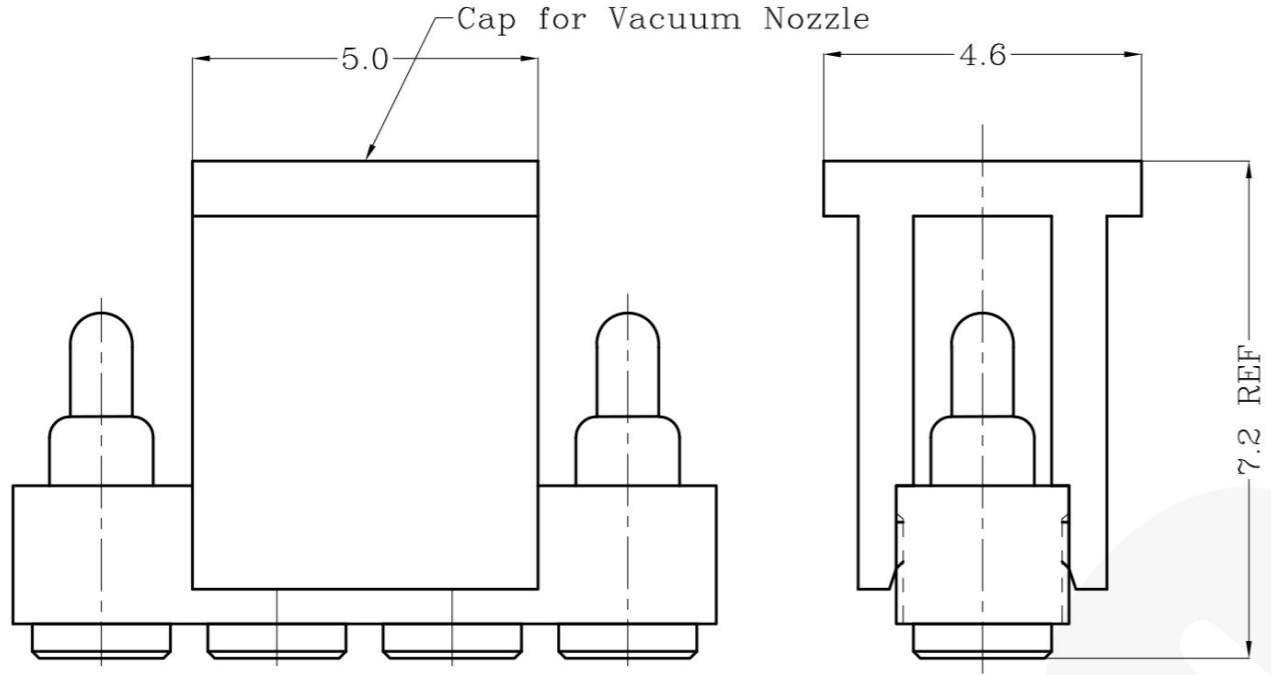
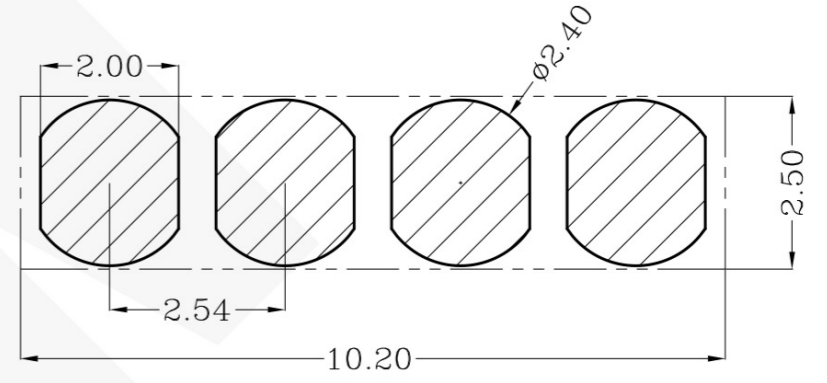




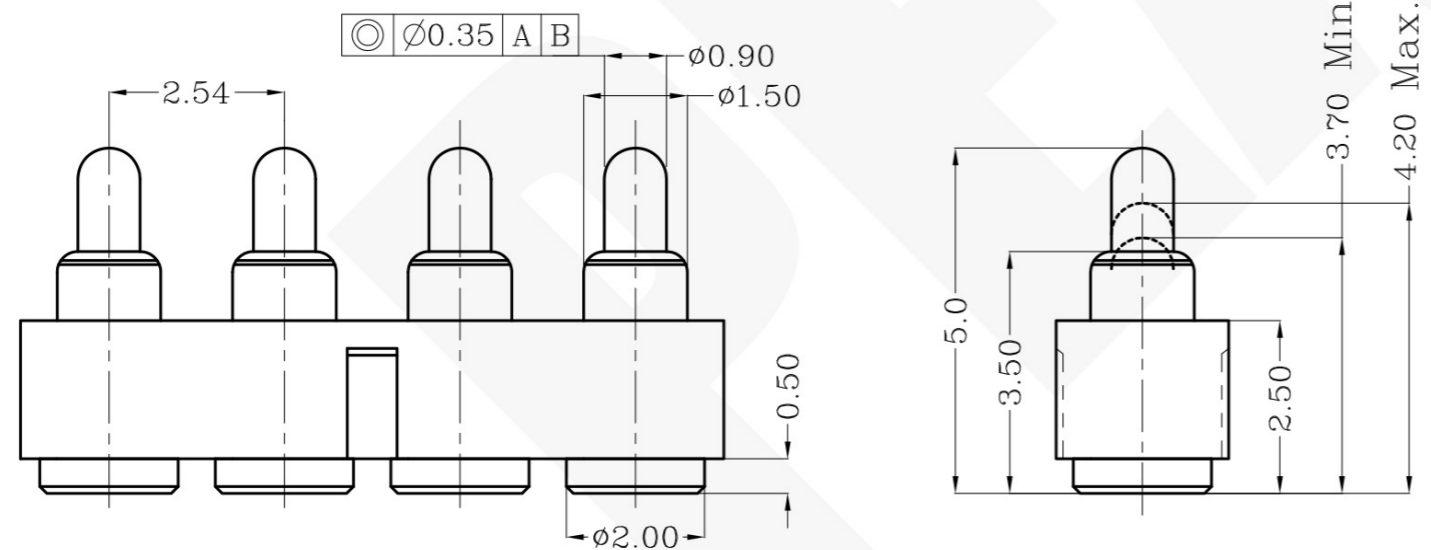
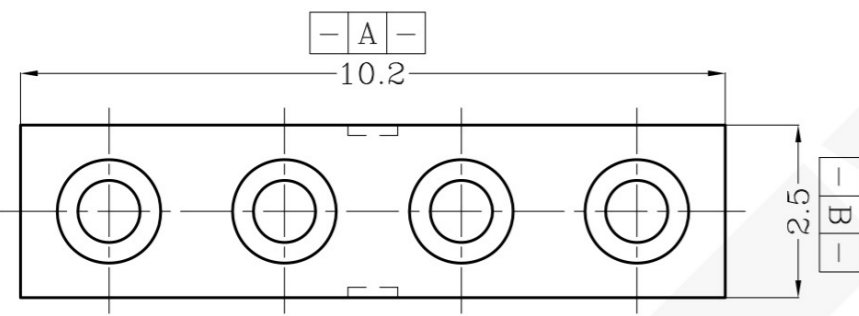
THIS INFORMATION IS CONFIDENTIAL AND IS DISCLOSED TO YOU ON CONDITION THAT NO FURTHER DISCLOSURE IS MADE BY YOU TO OTHER THAN PEXON PERSONNEL WITHOUT WRITTEN AUTHORIZATION FROM PEXON LTD.



| Item | Part name | Q'ty/Ea' | Material | Finish |
|------|-----------|----------|---|----------------------------------|
| 1 | HSG | 1 | High temp.Plastic UL94 V-0 Color Black | _____ |
| 2 | Body | 4 | Leaded Brass | Gold plating over Nickel plating |
| 3 | Plunger | 4 | Leaded Brass | Gold plating over Nickel plating |
| 4 | Spring | 4 | Stainless steel wire | _____ |
| 5 | CAP | 1 | High temp.Plastic UL94 V-0 Color Black | _____ |



Recommended PCB Layout



| | | |
|--------------------|------------|---------------|
| Max.working height | 4.20mm | 80±20gf <2.1> |
| Min.working height | 3.70mm | 110±30gf |
| Durability | 10000cycle | |

Notes:
 1 Dimensions shall be interpreted per ASME Y14.5M.
 2 Mechanical performance(See the table 1)
 <2.1>The force is the average of forces obtained when plunger goes downwards and upwards.
 <2.2>Warning:Working height are not permitted to be less than Min working height.
 3 Electrical performance
 Resistance: 30mOhm Max.Current rating: 2.0A
 4 Packaging Spec.Comformance to EIA 481
 5 RoHS compliant.

100794-4
PART NUMBER

| | | | |
|---|-----------------------|---------|------------------|
| Top-Link Electronics Ltd. | Type Customer drawing | Unit mm | Weight |
| TOLERANCES UNLESS OTHER SPECIFIED | DWN: Qin Zuozhong | APVD: | PEXON |
| 0. = ± - | CHK: | REL: | |
| 0.0 = ± 0.15 | Name Customer drawing | | |
| 0.00 = ± 0.10 | Scale 1:1 | Size A4 | DWG No. C-100794 |
| 0.000 = ± - | Page 1/1 | | Rev. 1 |
| Angle: ±1° | Name Customer drawing | | |
| SURF TEXTURE: REMOVE BURRS. | Page 1/1 | | |
| BREAK SHARP EDGES R0.05 MAX.DO NOT SCALE PRINT. | Rev. 1 | | |

| Rev. | Revision record. | Date. |
|------|------------------|------------|
| 4 | | |
| 3 | NEW | 2012/03/07 |

DIST

DIST



PEXON

E-mail: sale@pinconnector.com

WhatsApp: +86-13361867201

www.pinconnector.com