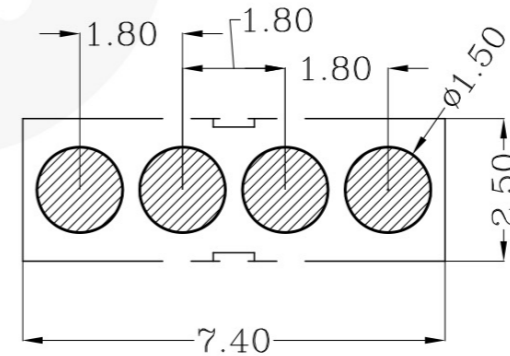
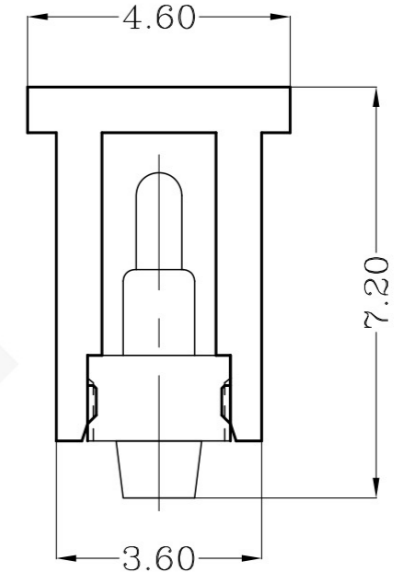
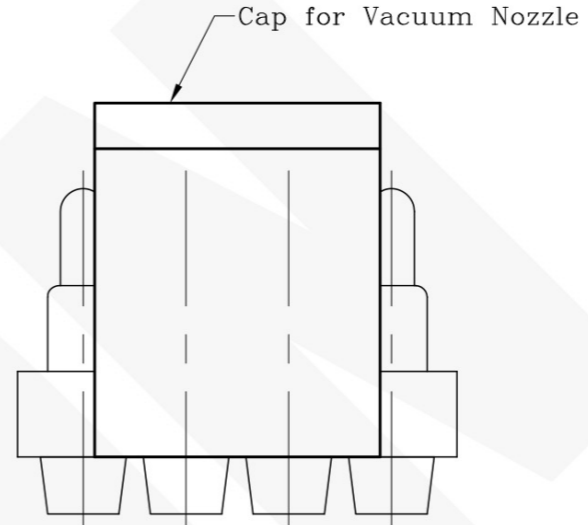
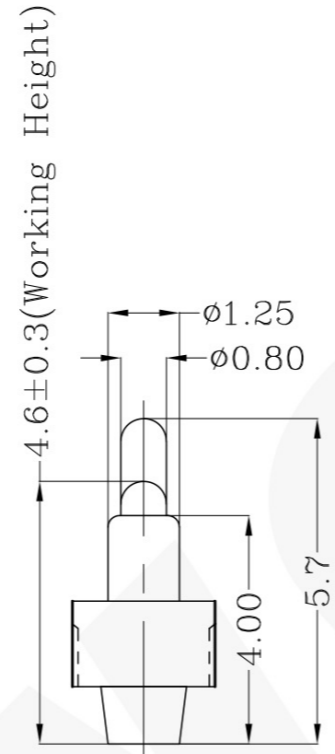
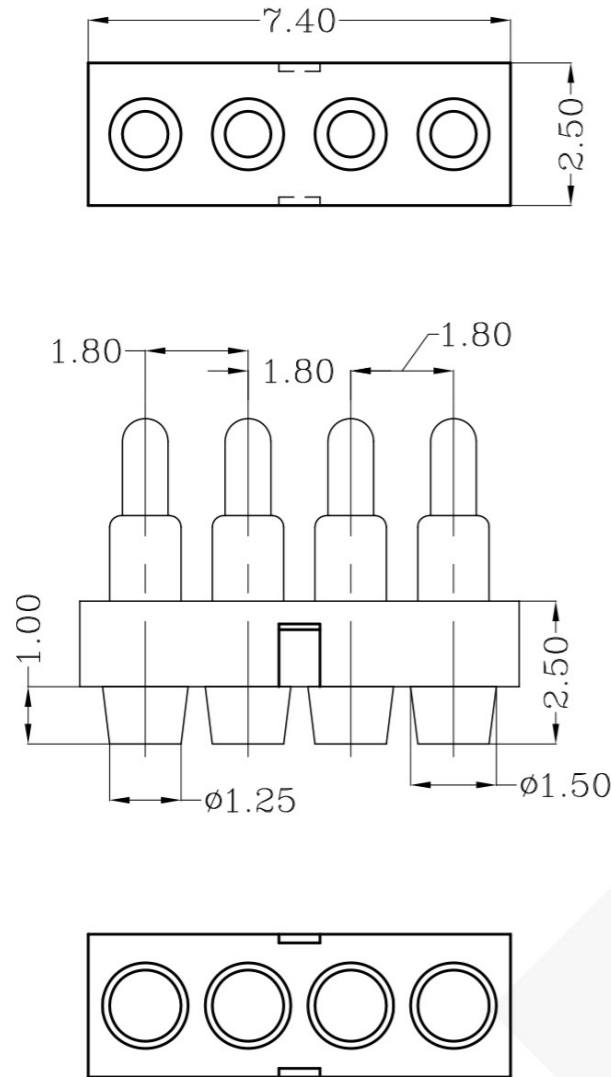
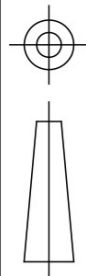


THIS INFORMATION IS CONFIDENTIAL AND IS DISCLOSED TO YOU ON CONDITION THAT NO FURTHER DISCLOSURE IS MADE BY YOU TO OTHER THAN PEXON PERSONNEL WITHOUT WRITTEN AUTHORIZATION FROM PEXON LTD.

DWG NO.
C-100287



Recommended PCB Layout

- Notes:
- Material, Housing: PA 4.6 (30% Glass Filled)
Color Black.
Contact: Brass
 - Mechanical demands:
Spring force: Min 0.2N with 0.5mm stroke
1.0+0.60N/-0.20N with 1.0mm stroke.
Full stroke: 1.5mm
Plating Plunger: Min 0.4um Au over 1.4um Ni
Plating Body: Min 0.1um Au over 1.4um Ni .

| | |
|---------|---|
| USED ON | - |
|---------|---|

| |
|-------------|
| 100287-4 |
| PART NUMBER |

| | | | | |
|--|--|---|-------------|--------|
| DIMENSIONS IN MM TOLERANCES UNLESS OTHER SPECIFIED | | MATL | HT TR | FIN |
| 0 = ±- | | 1 | - | - ✓ |
| 0.0 = ±0.15 | | DWN | APVD | Pexon |
| 0.00 = ±0.10 | | RICHARD REN | - | |
| 0.000 = ± | | CHK | REL | |
| ANGLE: ±1° | | LANSING HSIAD | | |
| SURF TEXTURE: 3.2/ | | NAME BATTERY POGO CONNECTOR | | |
| REMOVE BURRS. BREAK SHARP EDGES R0.05 MAX DO NOT SCALE PRINT | | 4 POSITIONS 1.8PH PGC-1.25-5.7-R-4P-1.8PH | | |
| | | SCALE | DWG NO. | SHEET |
| | | 1:1 | A4 C-100287 | 1 OF 1 |
| | | | | REV C1 |

| | | | |
|-----|-------------------|------|------------|
| | 变更电镀规格 | | 2011/02/15 |
| | Change 2 mistakes | | 2008/03/05 |
| | new | | 2008/02/20 |
| LTR | REVISION RECORD | APVD | DATE |

| | |
|------|---|
| LDC | - |
| DIST | - |

4

3

2

1

D

C

B

A



PEXON

E-mail: sale@pinconnector.com

WhatsApp: +86-13361867201

www.pinconnector.com