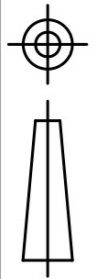
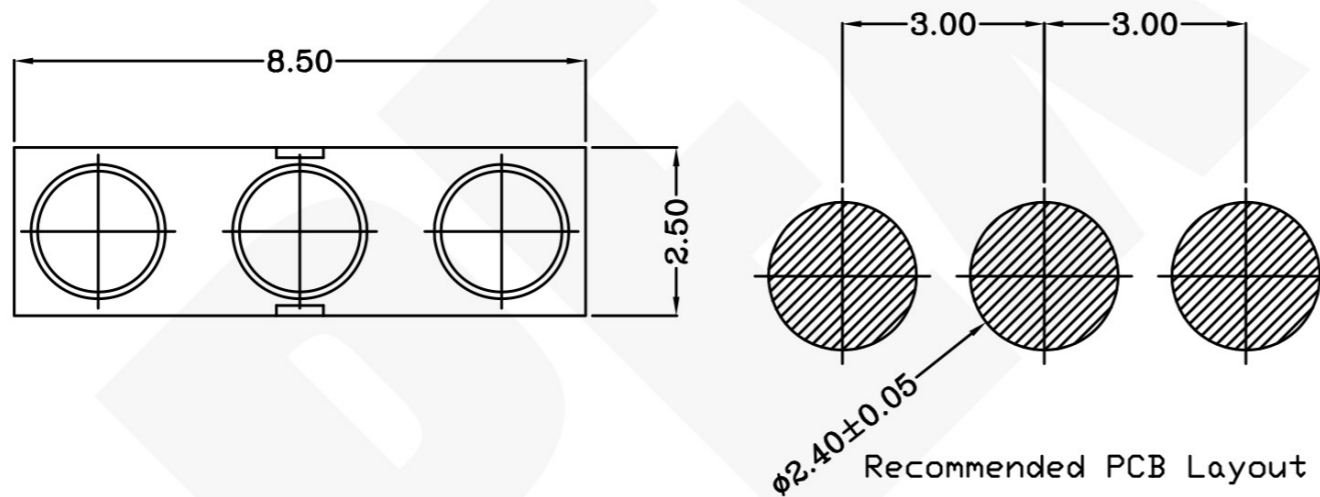
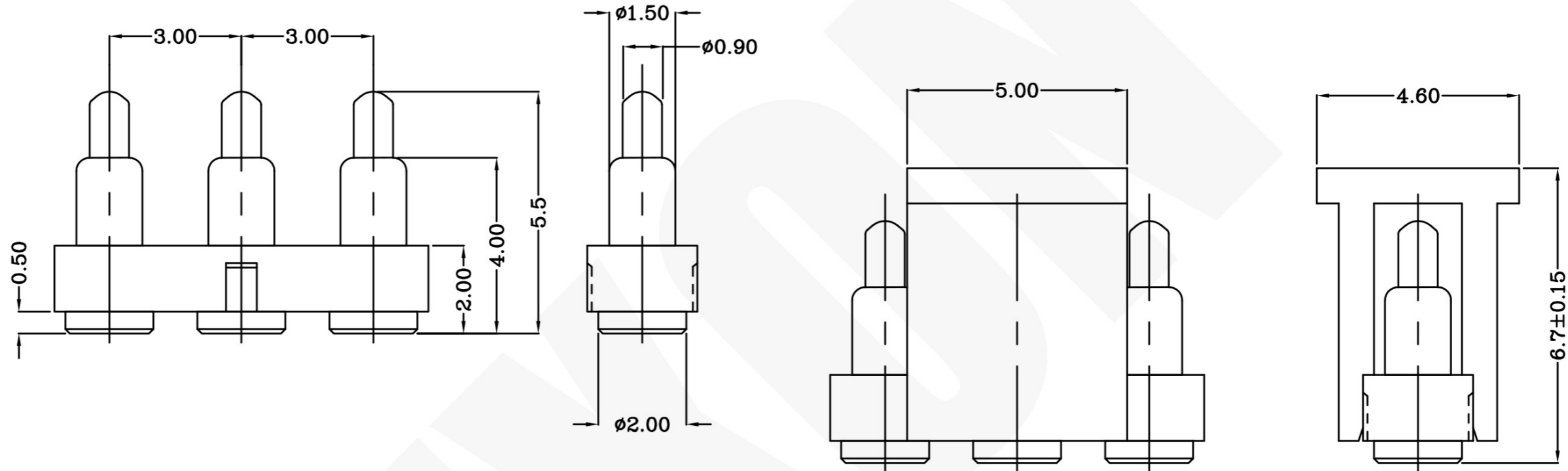


THIS INFORMATION IS CONFIDENTIAL AND IS DISCLOSED TO YOU ON CONDITION THAT NO FURTHER DISCLOSURE IS MADE BY YOU TO OTHER THAN PEXON PERSONNEL WITHOUT WRITTEN AUTHORIZATION FROM PEXON LTD.

DWG NO.
100147



USED ON
-



- Notes:
 1 Material, Housing: PA 4.6 (30% Glass Filled)
 Color Black.
 Contact: Brass
 2 Mechanical demands:
 Plating Plunger: 0.4um Au over 1.4um Ni
 Plating Body: 0.1um Au over 1.4um Ni.

DIMENSIONS IN MM
 TOLERANCES UNLESS
 OTHER SPECIFIED
 0 = ±-
 0.0 = ±0.10
 0.00 = ±0.10
 0.000 = ±
 ANGLE: ±1°
 SURF TEXTURE: 3.2/
 REMOVE BURRS. BREAK
 SHARP EDGES R0.05 MAX
 DO NOT SCALE PRINT

MATL	△ 1	HT TR	-	FIN	- ✓
DWN		APVD		Pexon	
CHK		REL			
NAME	PGGD 3P PGC-1.5-5.5-R-3P-3.0PH				
SCALE	1:1	A4	DWG NO.	100147	SHEET 1 OF 1
					REV B

LDC	-
DIST	-

	NEW		2007/10/27
LTR	REVISION RECORD	APVD	DATE

100147-3

PART NUMBER

4

3

2

1

D

C

B

A



PEXON

E-mail: sale@pinconnector.com

WhatsApp: +86-13361867201

www.pinconnector.com