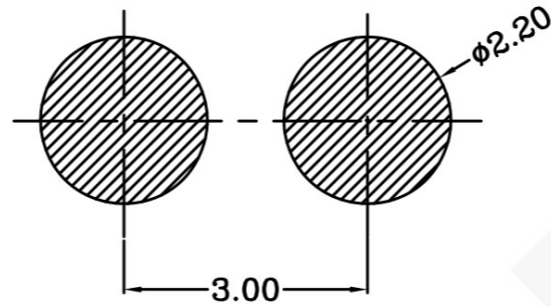
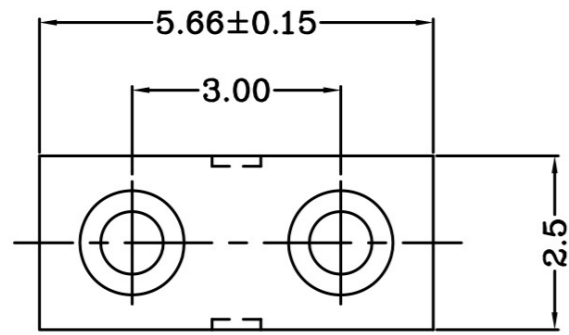
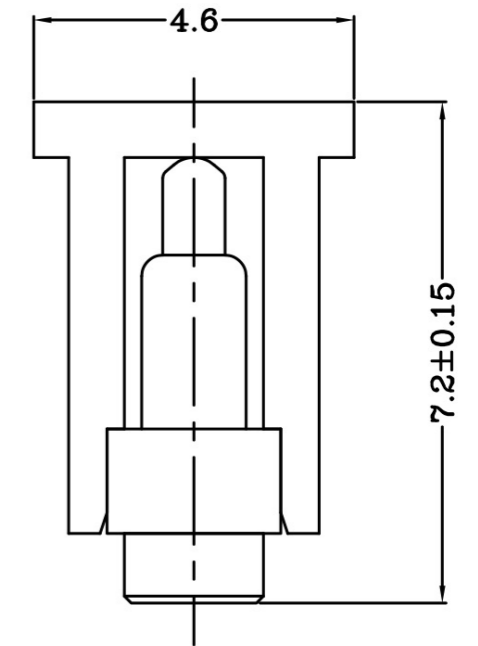
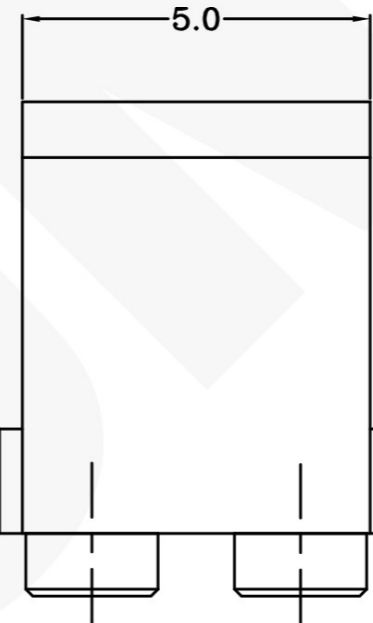
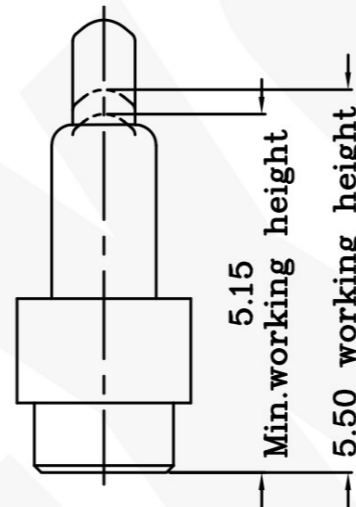
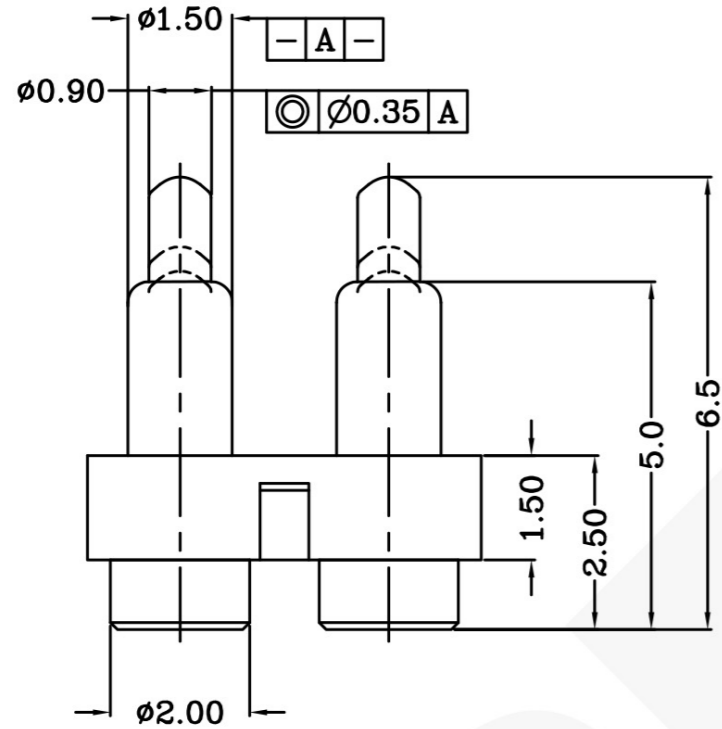


THIS INFORMATION IS CONFIDENTIAL AND IS DISCLOSED TO YOU ON CONDITION THAT NO FURTHER DISCLOSURE IS MADE BY YOU TO OTHER THAN PEXON PERSONNEL WITHOUT WRITTEN AUTHORIZATION FROM PEXON LTD.

DWN No: C-100340



Recommended solder paste thickness is 0.10 mm
Recommended PCB Layout



Item	Part name	Q'ty/Ea'	Material	Finish
1	HSG	1	High temp.Plastic UL94 V-0 Color Black	—————
2	Body	2	Leaded Brass	Gold plating over Nickel plating
3	Plunger	2	Leaded Brass	Gold plating over Nickel plating
4	Spring	2	Stainless steel wire	—————
5	CAP	1	High temp.Plastic UL94 V-0 Color Black	—————

Notes:

- Dimensions shall be interpreted per ASME Y14.5M.
- Mechanical performance(See the table 1)
<2.1>The force is the average of forces obtained when plunger goes downwards and upwards.
<2.2>Warning: Working height are not permitted to be less than Min working height.
- Electrical performance
Resistance: 30mOhm Max.
Current rating: 2.0A
- Packaging specification conforms to EIA 481
- RoHS compliant.

working height	5.50mm	125±30gf <2.1>
Durability	10000cycle	

100340-2

PART NUMBER

Top-Link Electronics Ltd.		Type	Customer drawing	Unit	mm	Weight
TOLERANCES UNLESS OTHER SPECIFIED		DWN:	Cai wanlu	APVD:		PEXON
0. = ± -		CHK:		REL:		
0.0 = ± 0.15		Name				Pogo pin connector
0.00 = ± 0.10		Scale	1:1	Size	A4	
0.000 = ± -		DWG No.	C-100340	Page	1/1	Rev.
Angle: ±1°						A1
SURF TEXTURE: REMOVE BURRS. BREAK SHARP EDGES R0.05 MAX.DO NOT SCALE PRINT.						

Rev.	Revision record.	Date.
A1	update	2014/07/09
A	NEW	2008/06/05

DIST

DIST



PEXON

E-mail: sale@pinconnector.com

WhatsApp: +86-13361867201

www.pinconnector.com