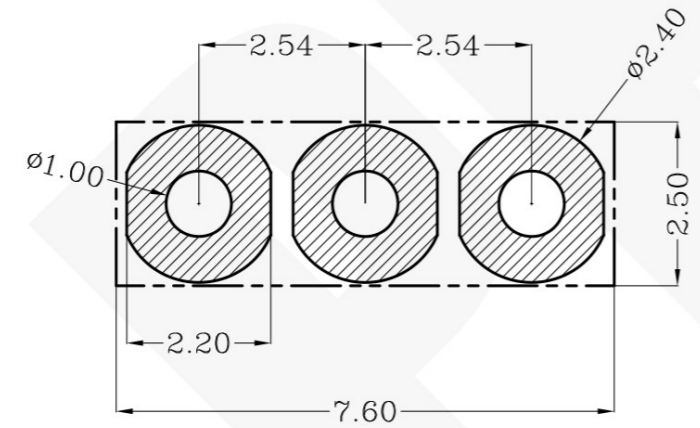
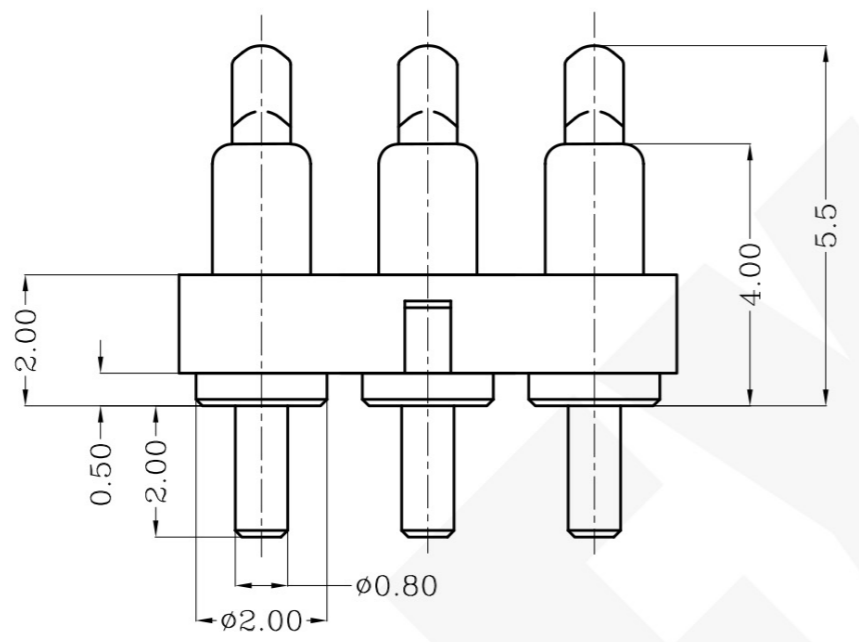
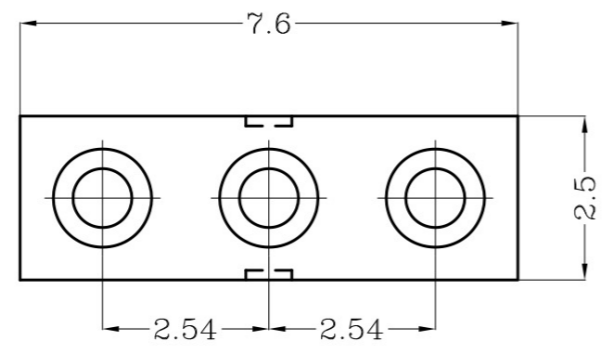
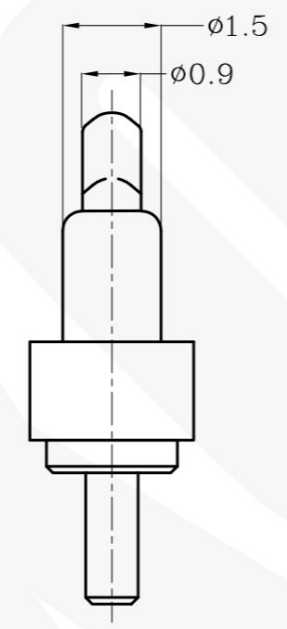


USED ON -

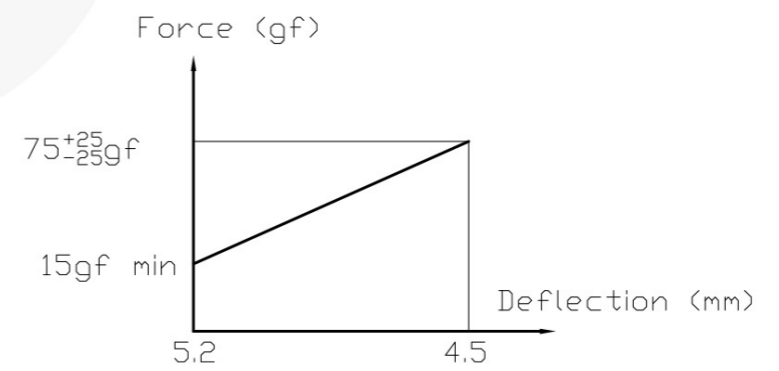


Recommended PCB Layout



Notes:

- 1 Material, Housing: PA 4.6 (30% Glass Filled)
Color Black.
Contact: Brass
- 2 Mechanical demands:
Plating Plunger: Min 0.1um Au over 1.25um Ni
Plating Body: Min 0.075um Au over 1.25um Ni.
- 3 Mechanical
1) Total stroke : 1.4mm



THIS INFORMATION IS CONFIDENTIAL AND IS DISCLOSED TO YOU ON CONDITION THAT NO FURTHER DISCLOSURE IS MADE BY YOU TO OTHER THAN PEXON PERSONNEL WITHOUT WRITTEN AUTHORIZATION FROM PEXON LTD.

DWG NO. C-110551



LOC	-
DIST	-

LTR	NEW	APVD	DATE
	REVISION RECORD		2009/09/27

DIMENSIONS IN MM
TOLERANCES UNLESS
OTHER SPECIFIED
0 = ±-
0.0 = ±0.15
0.00 = ±0.10
0.000 = ±
ANGLE: ±1°
SURF TEXTURE: 3.2/
REMOVE BURRS. BREAK
SHARP EDGES R0.05 MAX
DO NOT SCALE PRINT

MATL	1	HT TR	-	FIN	- ✓
DWN	QIn	APVD	REL		
CHK	REL				
NAME POGO CONNECTOR 3 POSITIONS PGC-1.5-5.5-R-3P-2.54PH					
SCALE	1:1	A4	DWG NO. C-110551	SHEET 1 OF 1	REV A

110551-3
PART NUMBER

4

3

2

1

D

C

B

A



PEXON

E-mail: sale@pinconnector.com

WhatsApp: +86-13361867201

www.pinconnector.com