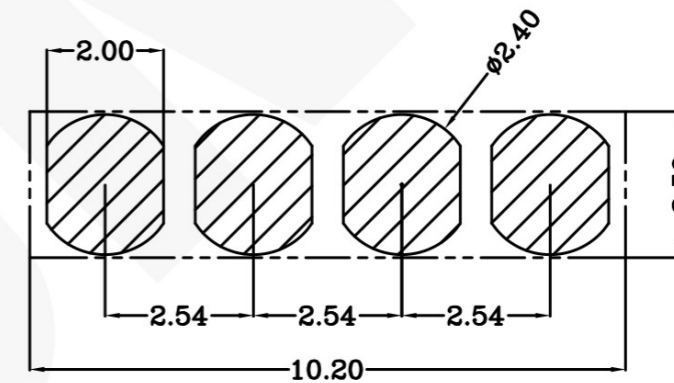
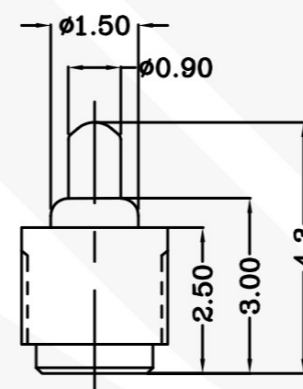
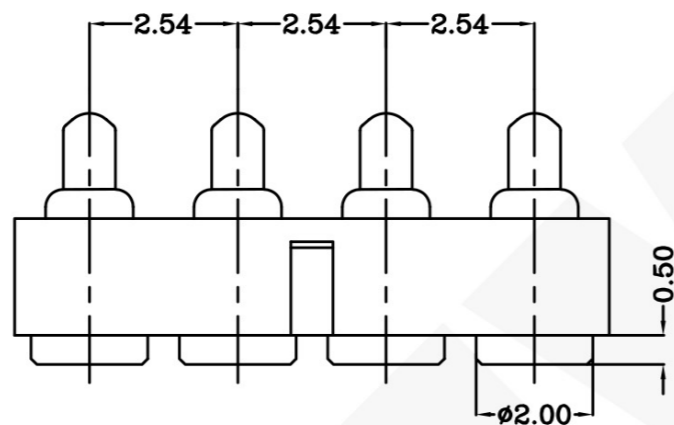
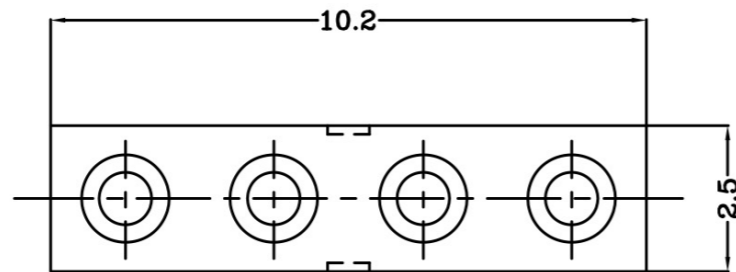


THIS INFORMATION IS CONFIDENTIAL AND IS DISCLOSED TO YOU ON CONDITION THAT NO FURTHER DISCLOSURE IS MADE BY YOU TO OTHER THAN PEXON PERSONNEL WITHOUT WRITTEN AUTHORIZATION FROM PEXON LTD.

DWG NO. C-110443



USED ON



Recommended PCB Layout

Notes:

- Material, Housing: PA 4,6 (30% Glass Filled)  
Color Black.  
Contact: Brass
- Mechanical demands:  
Plating Plunger: Min 0.4Um Au over 1.4um Ni  
Plating Body: Min 0.1Um Au over 1.4um .



110443-4

PART NUMBER

DIMENSIONS IN MM  
TOLERANCES UNLESS  
OTHER SPECIFIED  
0 = ±  
0.0 = ±0.15  
0.00 = ± 0.10  
0.000 = ±  
ANGLE: ±1°  
SURF TEXTURE: 3.2/  
REMOVE BURRS. BREAK  
SHARP EDGES R0.05 MAX  
DO NOT SCALE PRINT

MATL	1	HT TR	-	FIN	- ✓
DWN	Qin	APVD	Lansing	<b>Pexon</b>	
CHK	Jlm	REL			
NAME	BATTERY POGO CONNECTOR 4 POSITIONS PGC-1.5-4.3-R-4P-2.54PH				
SCALE	1:1	A4	DWG NO.	C-110443	SHEET 1 OF 1
					REV A

LDC	-
DIST	-

	NEW		2008/12/03
LTR	REVISION RECORD	APVD	DATE

4

3

2

1

D

C

B

A



**PEXON**

E-mail: [sale@pinconnector.com](mailto:sale@pinconnector.com)

WhatsApp: +86-13361867201

[www.pinconnector.com](http://www.pinconnector.com)