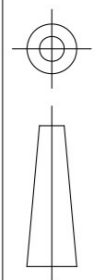
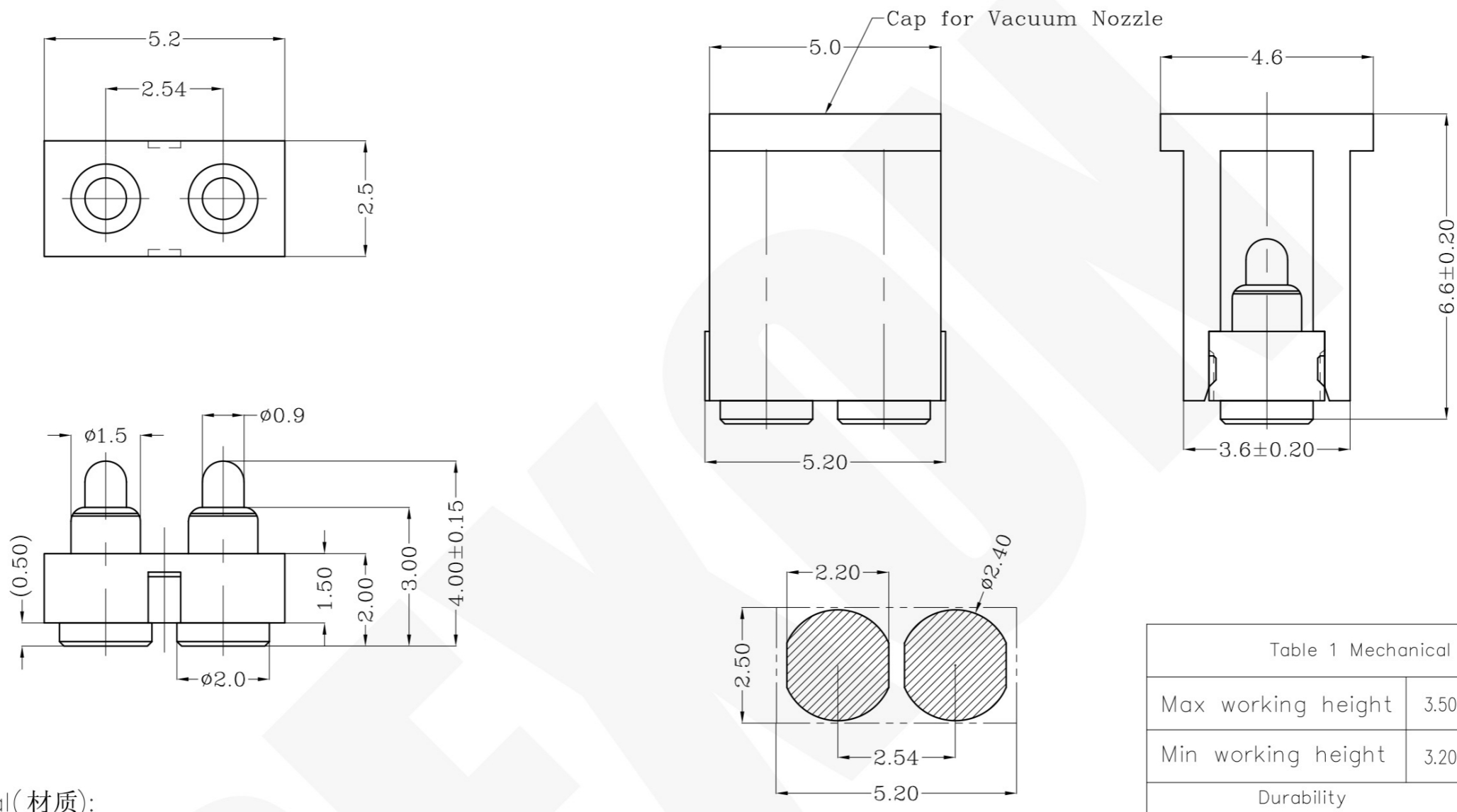


THIS INFORMATION IS CONFIDENTIAL AND IS DISCLOSED TO YOU ON CONDITION THAT NO FURTHER DISCLOSURE IS MADE BY YOU TO OTHER THAN PEXON PERSONNEL WITHOUT WRITTEN AUTHORIZATION FROM PEXON LTD.

DWG NO.
C-100593



USED ON



Notes:
 1 Material(材质):
 Housing: PA 4.6 (30% Glass Filled) Color Black.
 Contact: Brass
 Spring :Stainless steel wire

2 Plating:
 1)Body: Min 0.1um Gold plating over min. 1.4um Nickel plating
 (Body: 镀金0.1um Min 镍底1.4um Min)
 2)Plunger: Min 0.4um Gold plating over min. 1.4um Nickel plating
 (Plunger: 镀金0.4um Min 镍底1.4um Min)

3 Mechanical:
 Total stroke(总行程): 0.90mm
 Durability(寿命): 10,000 cycle min.

Max working height	3.50mm	110±25gf <2.1>
Min working height	3.20mm	140±35
Durability	10000cycle	

Recommended PCB Layout

DIMENSIONS IN MM
 TOLERANCES UNLESS
 OTHER SPECIFIED
 0 = ±-
 0.0 = ±0.15
 0.00 = ±0.10
 0.000 = ±
 ANGLE: ±1°
 SURF TEXTURE: 3.2/
 REMOVE BURRS. BREAK
 SHARP EDGES R0.05 MAX
 DO NOT SCALE PRINT

MATL	△ 1	HT TR	-	FIN	- ✓
DWN	Qin	APVD		Pexon	
CHK		REL			
NAME	POGO CONNECTOR 2 POSITIONS PGC-1.5-4.0-R-2P-2.54PH				
SCALE	1:1	A4	DWG NO.	C-100593	SHEET 1 OF 1
					REV A

LTR	NEW	2010/02/23
REVISION RECORD	APVD	DATE

100593-2
PART NUMBER

LDC -
DIST -

4 | 3 | 2 | 1



PEXON

E-mail: sale@pinconnector.com

WhatsApp: +86-13361867201

www.pinconnector.com