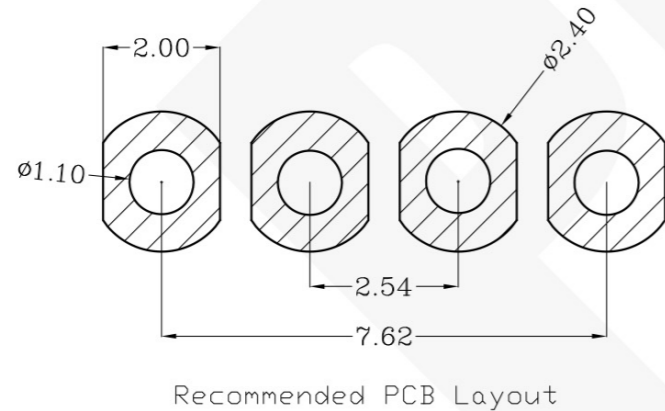
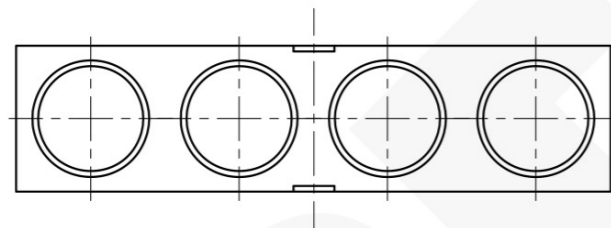
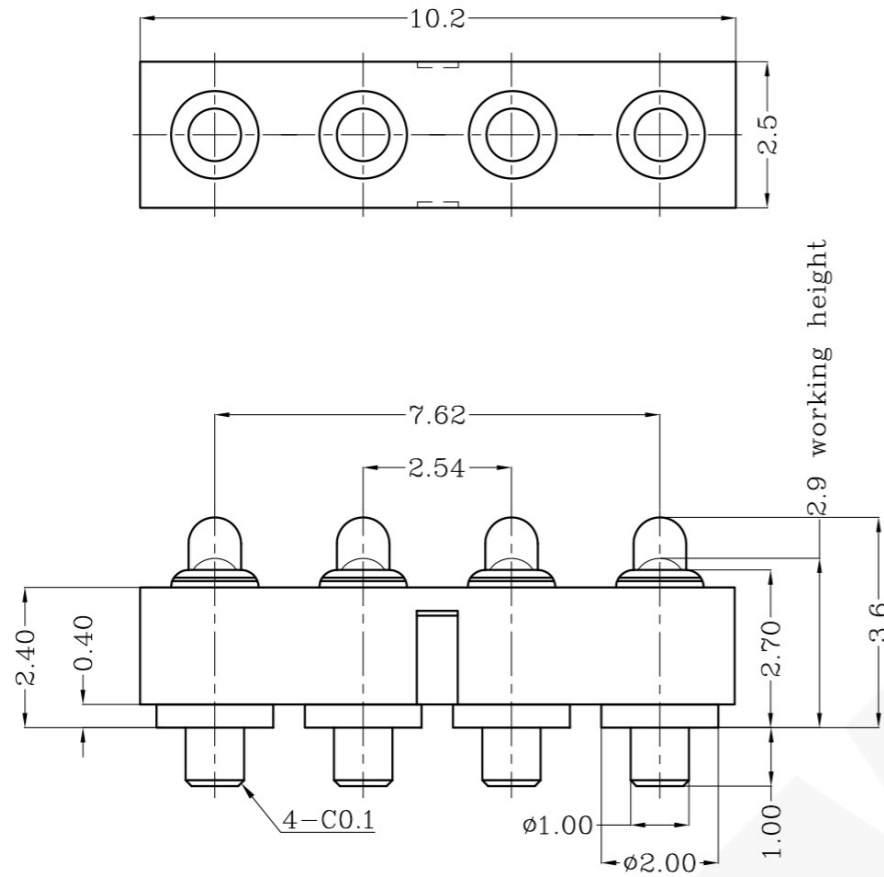


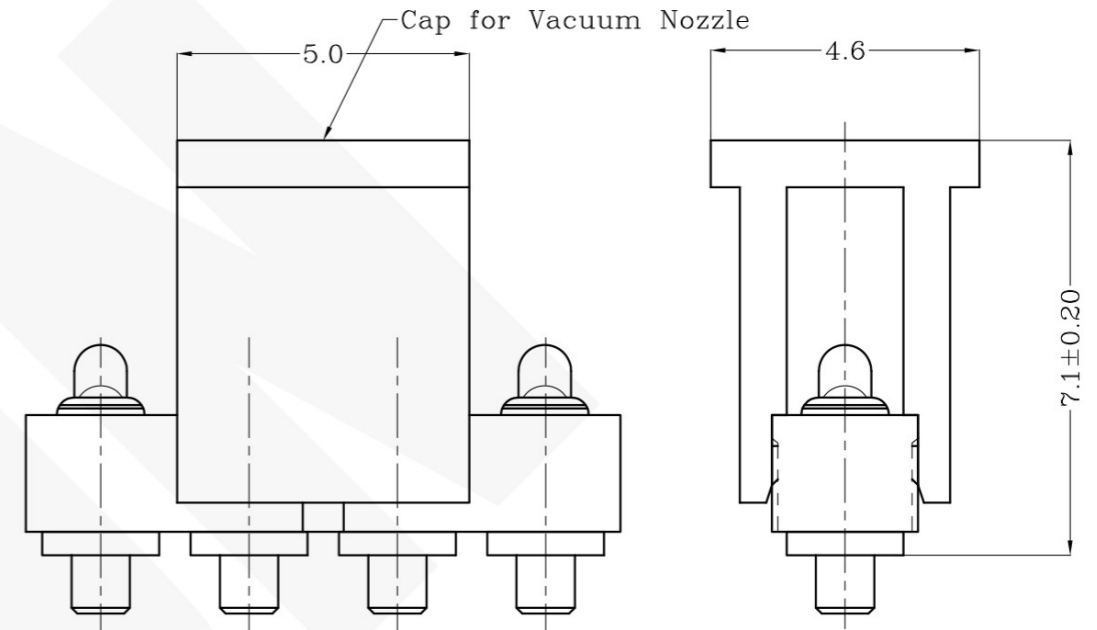
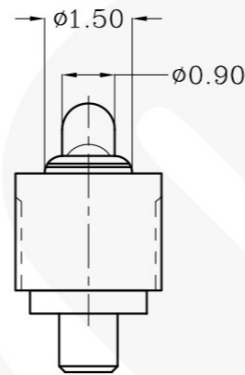
THIS INFORMATION IS CONFIDENTIAL AND IS DISCLOSED TO YOU ON CONDITION THAT NO FURTHER DISCLOSURE IS MADE BY YOU TO OTHER THAN PEXON PERSONNEL WITHOUT WRITTEN AUTHORIZATION FROM PEXON LTD.

DWG NO.
C-100572



Notes:

- 1 Material(材质):
Housing: HTN, UL94 V-0 Color Black.
Contact: Brass
Spring :Stainless steel wire
- 2 Plating:
1)Body: Min 0.1um Gold plating over min. 1.4um Nickel plating
(Body: 镀金0.1um Min 镍底1.4um Min)
2)Plunger: Min 0.4um Gold plating over min. 1.4um Nickel plating
(Plunger: 镀金0.4um Min 镍底1.4um Min)
- 3 Mechanical:
Total stroke(总行程): 0.80mm
Durability(寿命): 10,000 cycle min.
- 4 Electrical(电性能)
Contact resistance(接触抵抗): 30mOhm Max.
Voltage rating(额定电压): 36V DC Max
Current rating(额定电流): 2.0A



USED ON

100572-4

PART NUMBER

FIN

DIMENSIONS IN MM
TOLERANCES UNLESS
OTHER SPECIFIED
0 = ±-
0.0 = ±0.15
0.00 = ± 0.10
0.000 = ±
ANGLE: ±1°

SURF TEXTURE: 3.2/
REMOVE BURRS. BREAK
SHARP EDGES R0.05 MAX
DO NOT SCALE PRINT

MATL	<input checked="" type="checkbox"/>	HT TR	<input type="checkbox"/>	FIN	<input checked="" type="checkbox"/>
DWN	Qin	APVD	REL	Pexon	
CHK					
NAME	POGO CONNECTOR 4 POSITIONS PGC-1.5-3.6-R-4P-2.54PH				
SCALE	1:1	A4	DWG NO. C-100572	SHEET 1 OF 1	REV A

LDC	-
DIST	-

LTR	NEW	APVD	DATE
	REVISION RECORD		2009/12/01

4

3

2

1

D

C

B

A



PEXON

E-mail: sale@pinconnector.com

WhatsApp: +86-13361867201

www.pinconnector.com