

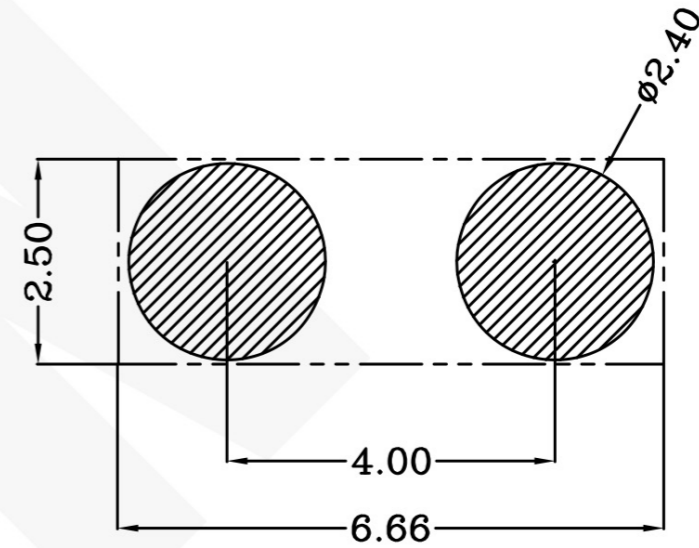
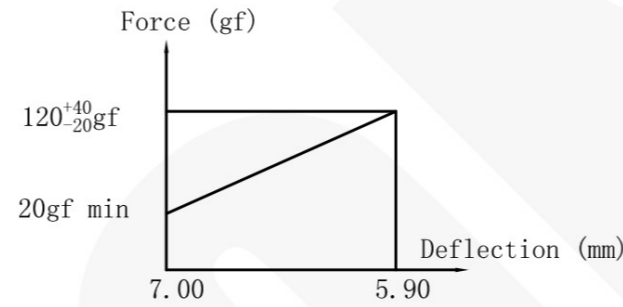
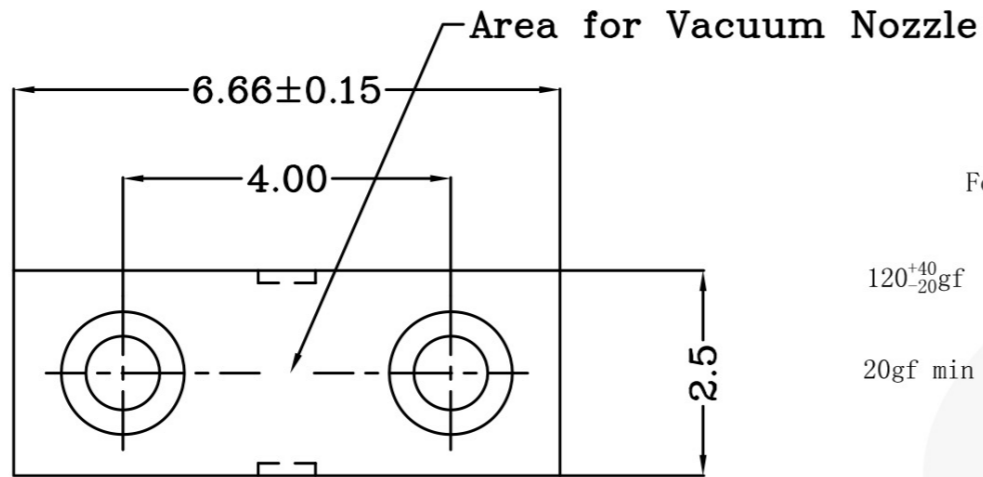
THIS INFORMATION IS CONFIDENTIAL AND IS DISCLOSED TO YOU ON CONDITION THAT NO FURTHER DISCLOSURE IS MADE BY YOU TO OTHER THAN PEXON PERSONNEL WITHOUT WRITTEN AUTHORIZATION FROM PEXON LTD.

DWG NO.

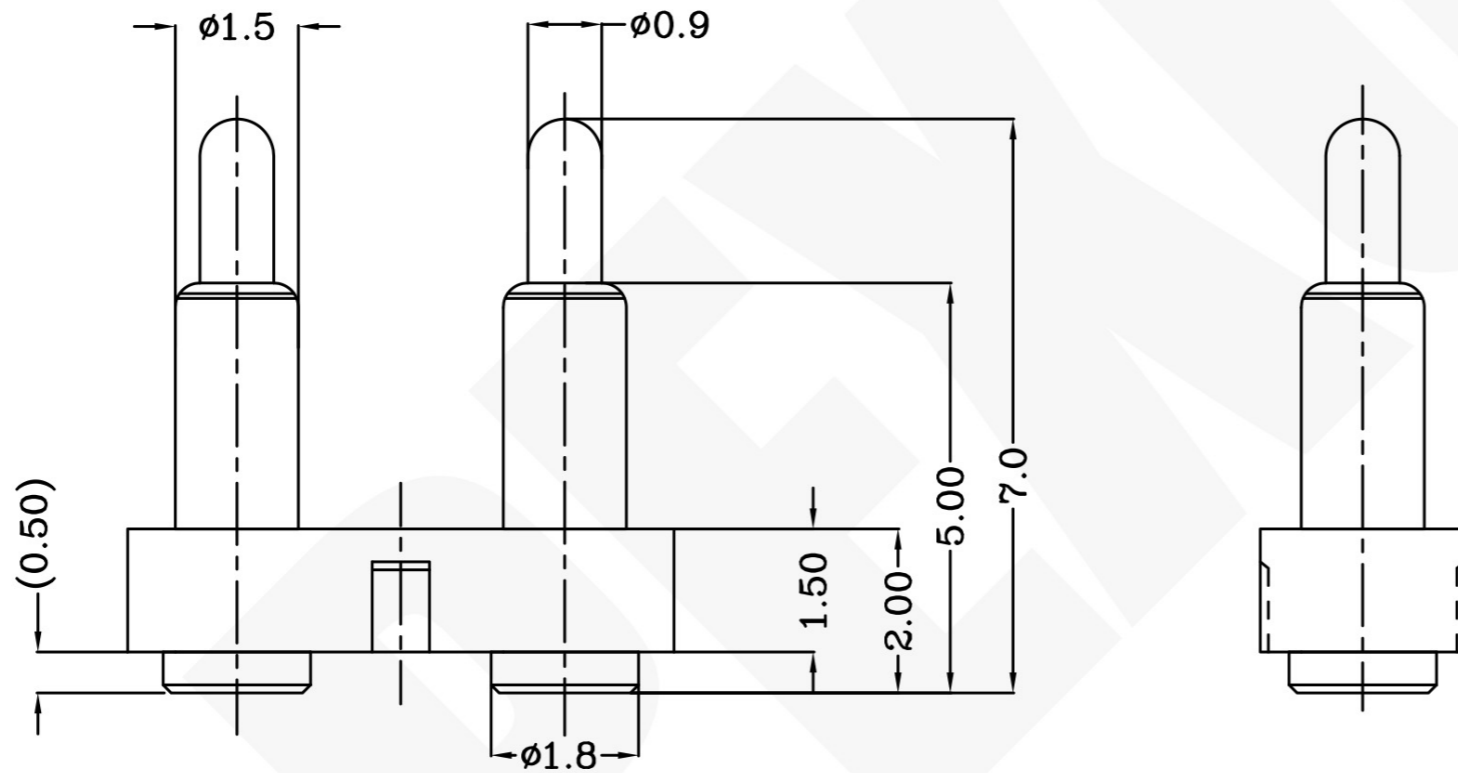
C-100052



USED ON



Recommended PCB Layout



Notes:

- 1 Material, Housing: PA 4.6 (30% Glass Filled)
Color Black.
Contact: Brass
- 2 Mechanical demands:
Plating Plunger: Au plating over Ni plating
Plating Body: Au plating over Ni plating
- 3 Mechanical
 - 1) Total stroke : 2.0mm
 - 2) Durability: 10,000 cycle min.
- 4 Electrical
 - 1) Contact resistance: 30mOhm Max.
 - 2) Operating voltage: 36VDC MAX.
- 5 Packing: Reel Tape

DIMENSIONS IN MM
TOLERANCES UNLESS
OTHER SPECIFIED
0 = ±
0.0 = ±0.15
0.00 = ±0.10
0.000 = ±
ANGLE: ±1°
SURF TEXTURE: 3.2/
REMOVE BURRS . BREAK
SHARP EDGES RO.05 MAX
DO NOT SCALE PRINT

MATL	1	HT TR	-	FIN	-	PEXON
DWN	Qin	APVD	Lansing			
CHK	Jim	REL				
NAME BATTERY POGO CONNECTOR 2 POSITIONS PGC-1.5-7.0-R-2P-4.OPH						
SCALE	1:1	A4	DWG NO.	C-100052	SHEET	1 OF 1
					REV	2

LTR	NEW	APVD	DATE
	REVISION RECORD		2007/04/05

LOC	-
DIST	-

4

3

2

1

D

C

B

A



PEXON

E-mail: sale@pinconnector.com

WhatsApp: +86-13361867201

www.pinconnector.com