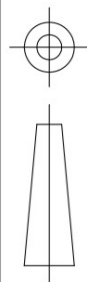
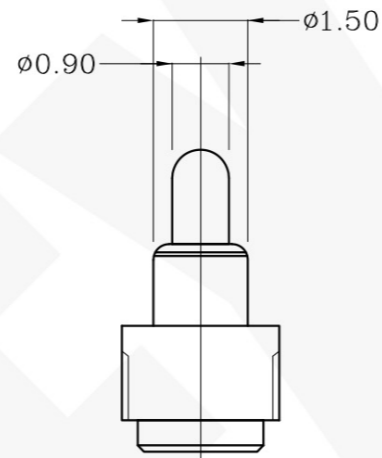
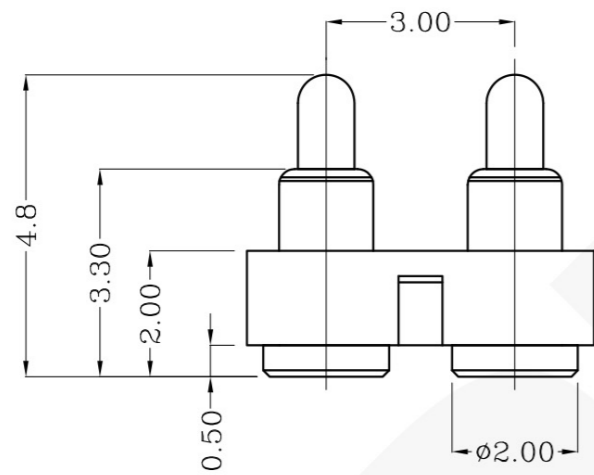
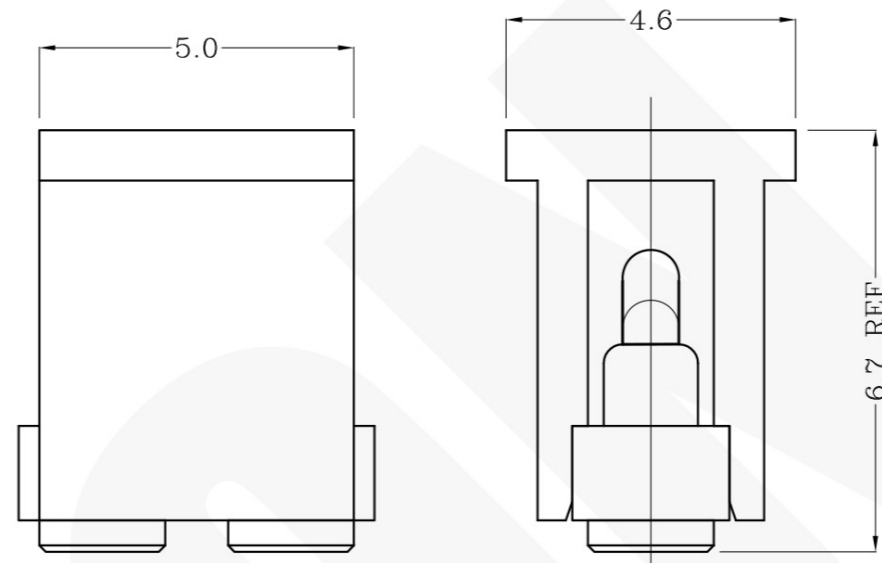
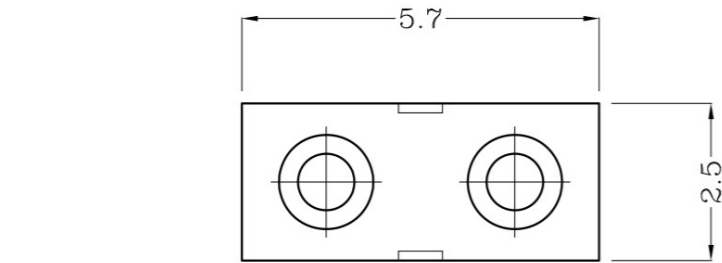


THIS INFORMATION IS CONFIDENTIAL AND IS DISCLOSED TO YOU ON CONDITION THAT NO FURTHER DISCLOSURE IS MADE BY YOU TO OTHER THAN PEXON PERSONNEL WITHOUT WRITTEN AUTHORIZATION FROM PEXON LTD.

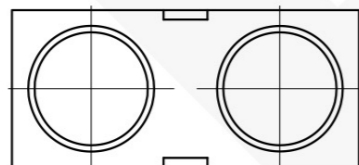
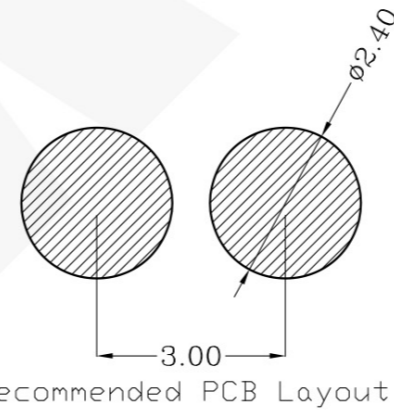
DWG NO.
C-100547



USED ON



- Notes:
- 1 Material, Housing: PA 4.6 (30% Glass Filled)
Color Black. (UL94V-0)
Contact: Brass
 - 2 Mechanical demands:
Plating plunger: 0.40um Au over 1.4um Ni
Plating body: 0.1um Au over 1.4um Ni .



LOC	-
DIST	-

	NEW	20090904	
LTR	REVISION RECORD	APVD	DATE

DIMENSIONS IN MM
TOLERANCES UNLESS
OTHER SPECIFIED
0 = ±-
0.0 = ±0.15
0.00 = ±0.10
0.000 = ±
ANGLE: ±1°
SURF TEXTURE: 3.2/
REMOVE BURRS. BREAK
SHARP EDGES R0.05 MAX
DO NOT SCALE PRINT

MATL		HT TR		FIN	
DWN		APVD		Pexon	
Qin		REL			
CHK		REL		BATTERY CONNECTOR 2 POS. PGC-1.5-4.8-R-2P-3.0PH	
NAME		SCALE			
A4		DWG NO. C-100547		SHEET 1 OF 1	
1:1		REV A		REV A	

100547-2
PART NUMBER

4

3

2

1

D
C
B
A



PEXON

E-mail: sale@pinconnector.com

WhatsApp: +86-13361867201

www.pinconnector.com