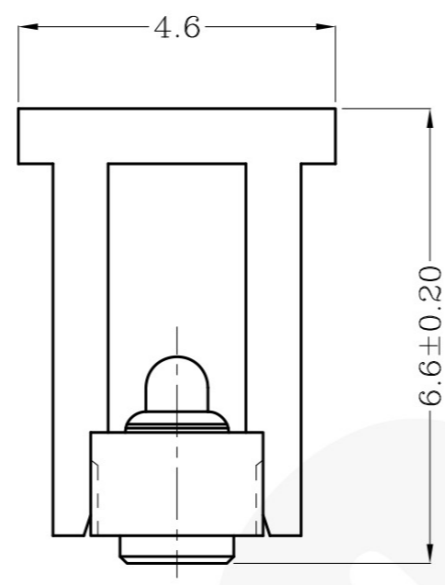
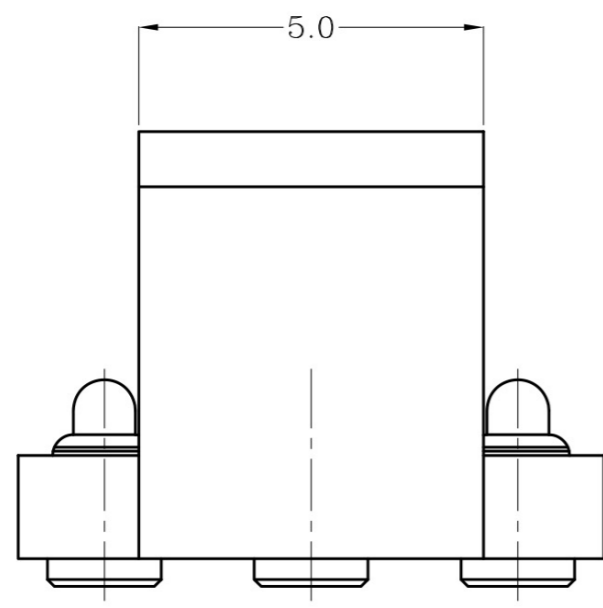


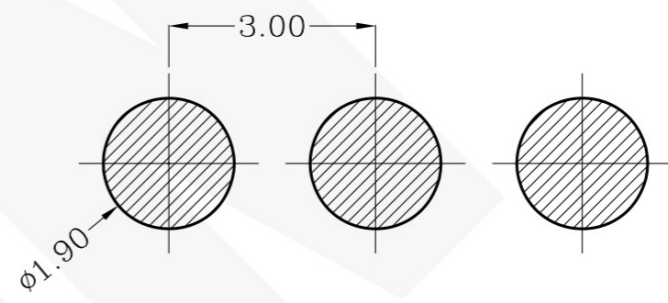
DWN No.: C-100255



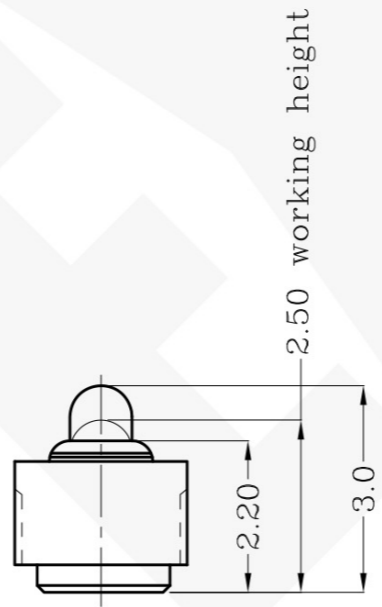
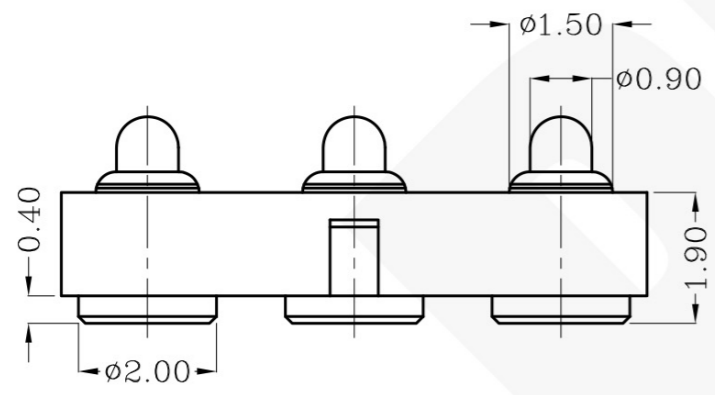
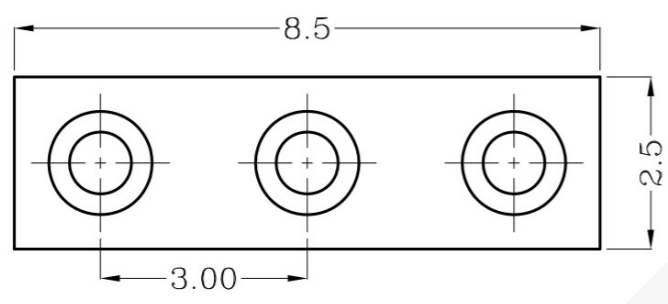
THIS INFORMATION IS CONFIDENTIAL AND IS DISCLOSED TO YOU ON CONDITION THAT NO FURTHER DISCLOSURE IS MADE BY YOU TO OTHER THAN PEXON PERSONNEL WITHOUT WRITTEN AUTHORIZATION FROM PEXON LTD.



Item	Part name	Q'ty/Ea'	Material	Finish
1	HSG	1	High temp.Plastic UL94 V-0 Color Black	_____
2	Body	3	Leaded Brass	Au 0.1um plating Ni 1.4um
3	Plunger	3	Leaded Brass	Au 0.4um plating Ni 1.4um
4	Spring	3	Stainless steel wire	_____
5	CAP	1	High temp.Plastic UL94 V-0 Color Black	_____



Recommended PCB Layout



working height	2.50mm	90gf min<2.1>
Durability	20000cycle	

- Notes:
- 1 Demensions shall be interpreted per ASME Y14.5M.
  - 2 Mechanical performance(See the table 1)  
<2.1>The force is the average of forces obtained when plunger goes downwards and upwards.
  - 3 Electrical performance  
Resistance: 30mOhm Max.Current rating: 2.0A
  - 4 Packaging Spec.Comformance to EIA 481
  - 5 RoHS compliant.

100255-3  
PART NUMBER

Top-Link Electronics Ltd.		Type	Customer drawing	Unit	mm	Weight					
TOLERANCES UNLESS OTHER SPECIFIED		DWN:	Qin Zuozhong	APVD:		<b>PEXON</b>					
0. = ± -		CHK:		REL:							
0.0 = ± 0.15		Name				Customer drawing PGC-1.5-3.0-R-3P-3.0PH					
0.00 = ± 0.10		Scale	1:1	Size	A4	DWG No.	C-100255	Page	1/1	Rev.	1
0.000 = ± -											
Angle: ±1°											
SURF TEXTURE: REMOVE BURRS. BREAK SHARP EDGES R0.05 MAX.DO NOT SCALE PRINT.											

Rev.	Revision record.	Date.
4		
3	NEW	2011/12/15

DIST  
---



**PEXON**

E-mail: [sale@pinconnector.com](mailto:sale@pinconnector.com)

WhatsApp: +86-13361867201

[www.pinconnector.com](http://www.pinconnector.com)