

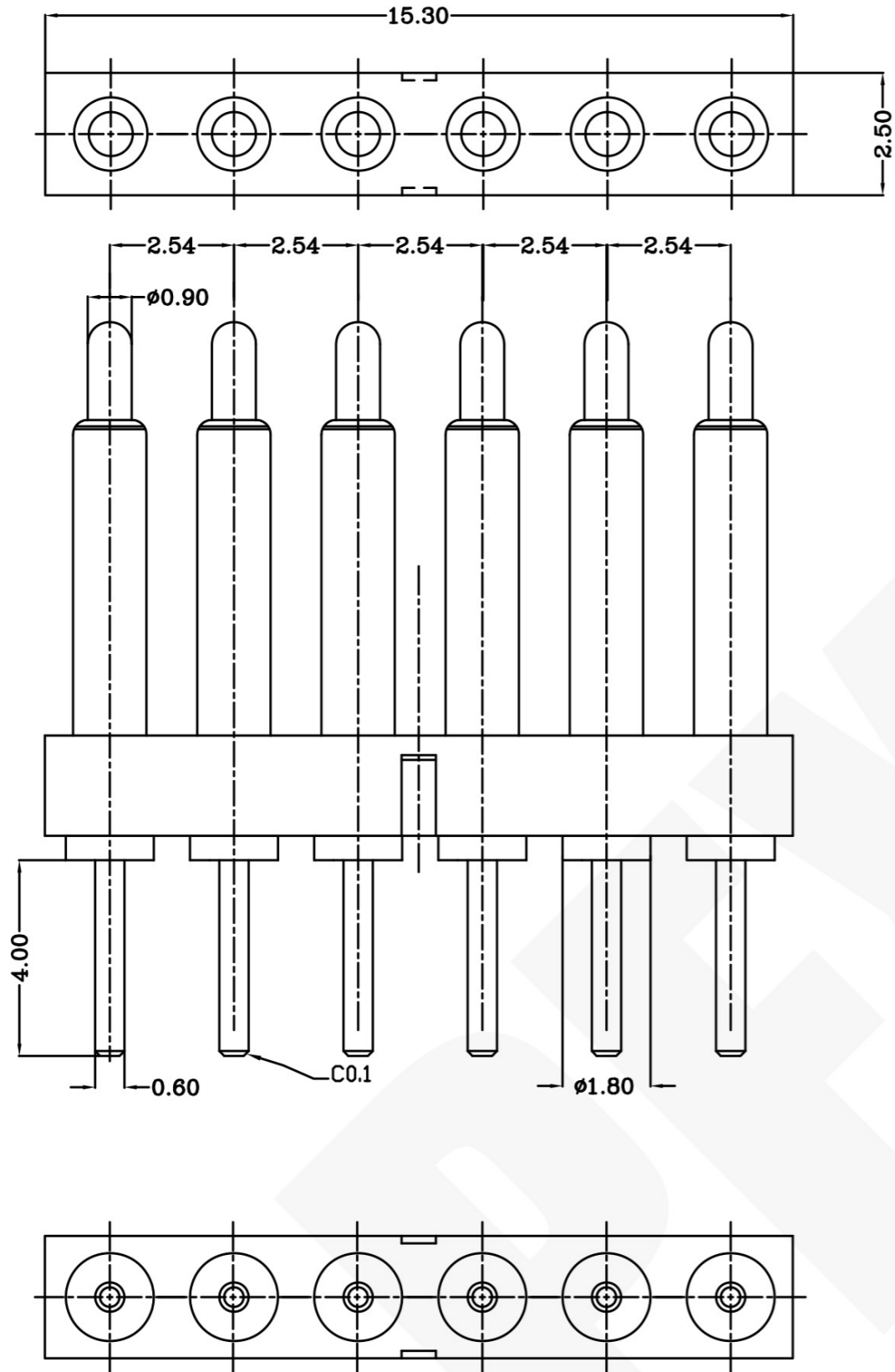
C-110494

DWG NO.



THIS INFORMATION IS CONFIDENTIAL AND IS DISCLOSED TO YOU ON CONDITION THAT NO FURTHER DISCLOSURE IS MADE BY YOU TO OTHER THAN PEXON PERSONNEL WITHOUT WRITTEN AUTHORIZATION FROM PEXON LTD.

LDC -
DIST -



USED ON -

Notes:

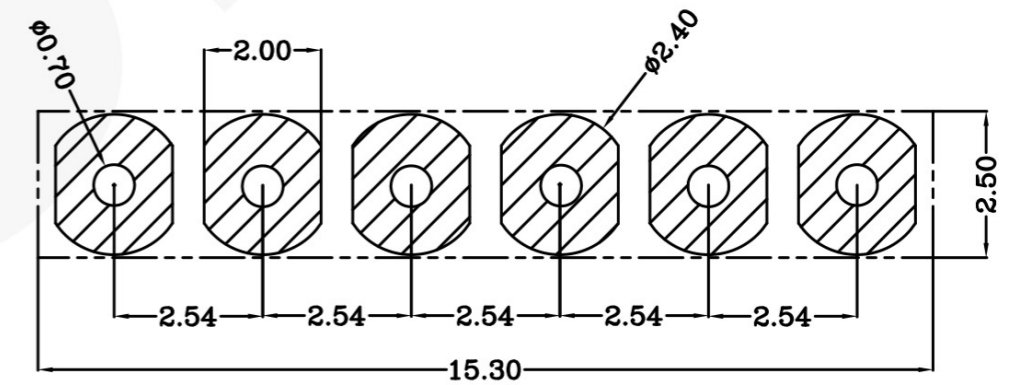
1 Material(材质):

Housing: High temp.Plastic, UL94 V-0 Color Black.
Contact: Brass
Spring :Stainless steel wire

2 Plating:

1)Body: Min 0.1um Gold plating over min. 1.4um Nickel plating
(Body: 镀金0.1um Min 镍底1.4um Min)

2)Plunger: Min 0.4um Gold plating over min. 1.4um Nickel plating
(Plunger: 镀金0.4um Min 镍底1.4um Min)



Recommended PCB Layout

110494-6

PART NUMBER

DIMENSIONS IN MM
TOLERANCES UNLESS
OTHER SPECIFIED
0 = ±-
0.0 = ±0.15
0.00 = ±0.10
0.000 = ±
ANGLE: ±1°
SURF TEXTURE: 3.2/
REMOVE BURRS. BREAK
SHARP EDGES R0.05 MAX
DO NOT SCALE PRINT

MATL	HT TR -	FIN - ✓
DWN Qin	APVD	Pexon
CHK	REL	
NAME BATTERY POGO CONNECTOR 6 POSITIONS PGC-1.5-11.0-R-6P-2.54PH		
SCALE 1:1	A4	DWG NO. C-110494
	SHEET 1 OF 1	REV A

	NEW		09/03/23
LTR	REVISION RECORD	APVD	DATE

4

3

2

1



PEXON

E-mail: sale@pinconnector.com

WhatsApp: +86-13361867201

www.pinconnector.com