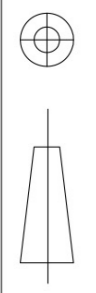
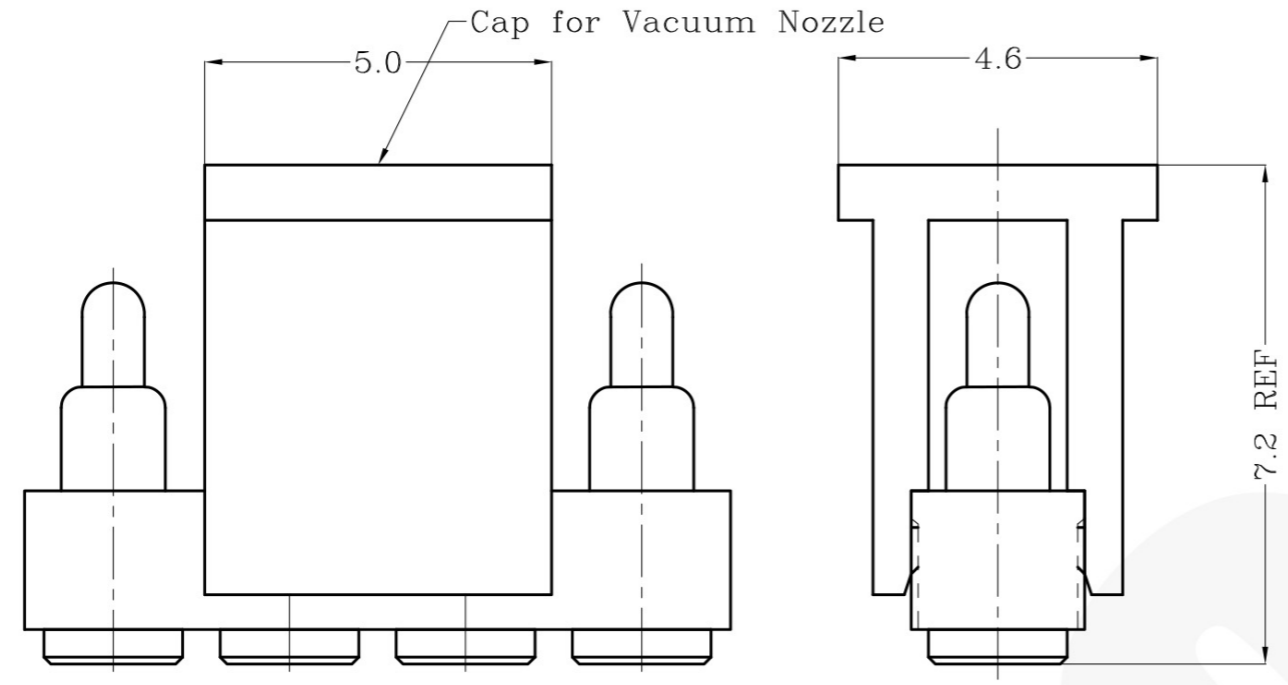


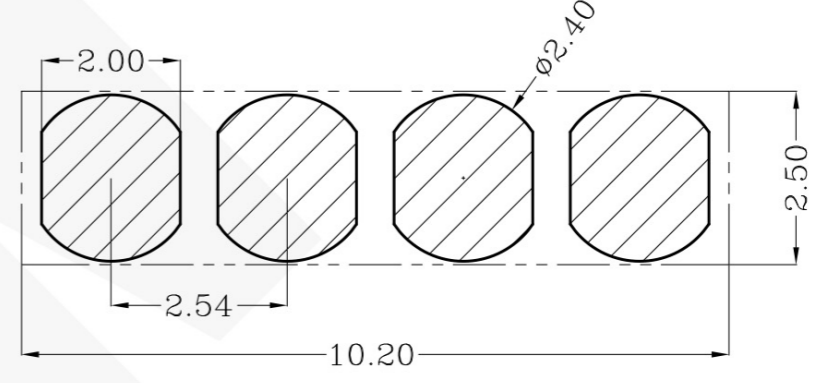
DWN No.: C-100804



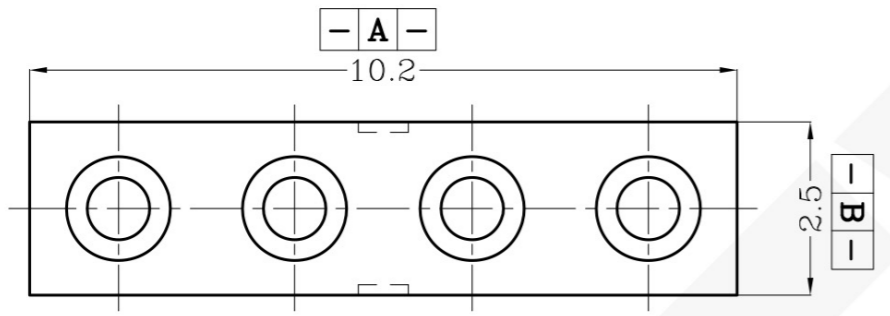
THIS INFORMATION IS CONFIDENTIAL AND IS DISCLOSED TO YOU ON CONDITION THAT NO FURTHER DISCLOSURE IS MADE BY YOU TO OTHER THAN PEXON PERSONNEL WITHOUT WRITTEN AUTHORIZATION FROM PEXON LTD.



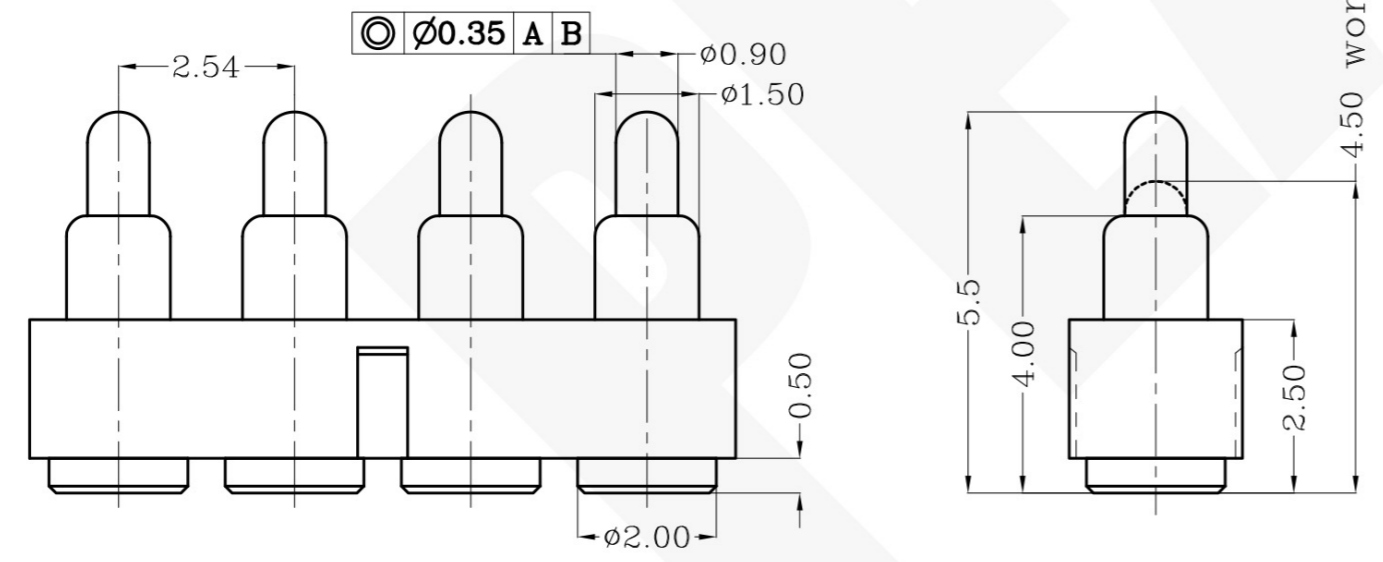
Item	Part name	Q'ty/Ea'	Material	Finish
1	HSG	1	High temp.Plastic UL94 V-0 Color Black	_____
2	Body	4	Leaded Brass	Gold plating over Nickel plating
3	Plunger	4	Leaded Brass	Gold plating over Nickel plating
4	Spring	4	Stainless steel wire	_____
5	CAP	1	High temp.Plastic UL94 V-0 Color Black	_____



Recommended PCB Layout



Working height	4.50mm	30±15gf <2.1>
Durability	10000cycle	



Notes:
 1 Demensions shall be interpreted per ASME Y14.5M.
 2 Mechanical performance(See the table 1)
 <2.1>The force is the average of forces obtained when plunger goes downwards and upwards.
 3 Electrical performance
 Resistance:200mOhm Max.Current rating: 1.0A
 4 Packaging Spec.Comformance to EIA 481
 5 RoHS compliant.

100804-4
PART NUMBER

Top-Link Electronics Ltd.	Type Customer drawing	Unit mm	Weight
TOLERANCES UNLESS OTHER SPECIFIED	DWN: Qin Zuozhong	APVD:	PEXON
0. = ± -	CHK:	REL:	
0.0 = ± 0.15	Name Customer drawing		Page 1/1 Rev. 1
0.00 = ± 0.10	Scale 1:1	Size A4	
0.000 = ± -	DWG No. C-100804		
Angle: ±1°			
SURF TEXTURE: REMOVE BURRS.			
BREAK SHARP EDGES R0.05 MAX.DO NOT SCALE PRINT.			

Rev.	Revision record.	Date.
NEW		2012/04/13
3		

DIST



PEXON

E-mail: sale@pinconnector.com

WhatsApp: +86-13361867201

www.pinconnector.com