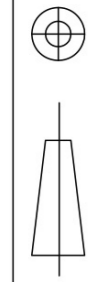
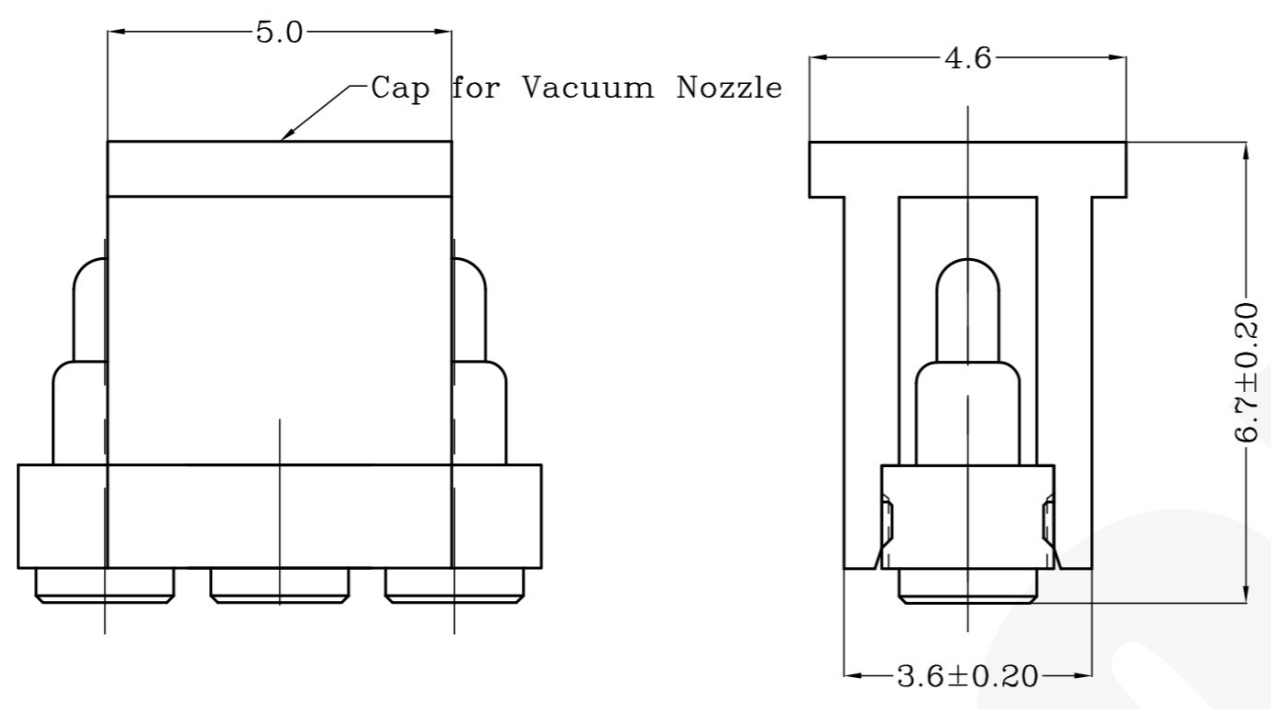


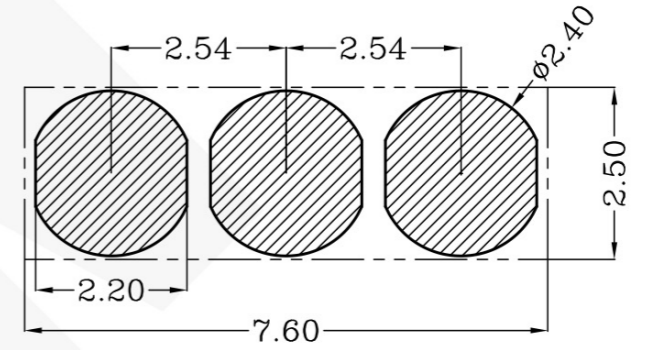
DWN No.: C-100453



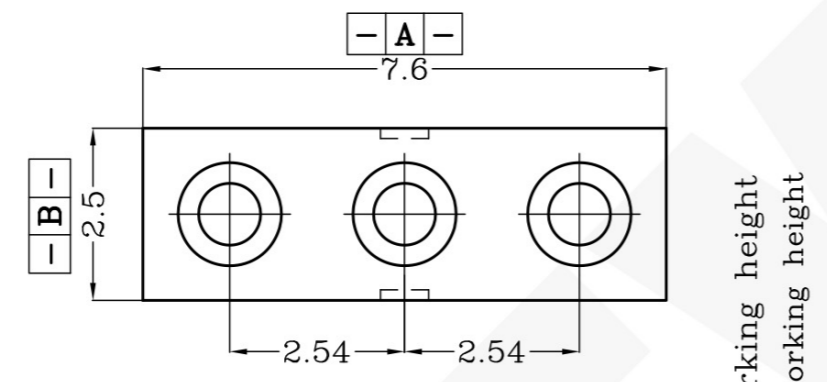
THIS INFORMATION IS CONFIDENTIAL AND IS DISCLOSED TO YOU ON CONDITION THAT NO FURTHER DISCLOSURE IS MADE BY YOU TO OTHER THAN PEXON PERSONNEL WITHOUT WRITTEN AUTHORIZATION FROM PEXON LTD.



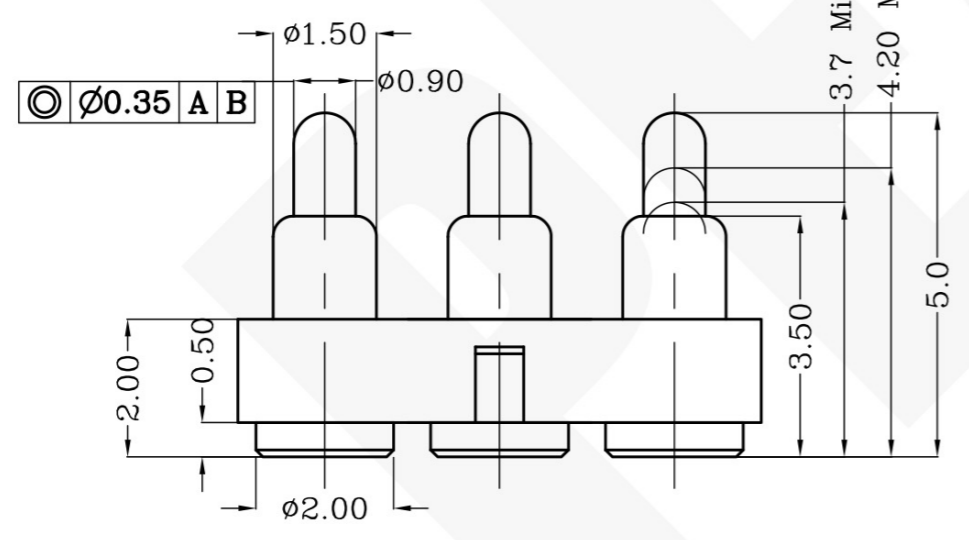
Item	Part name	Q'ty/Ea'	Material	Finish
1	HSG	1	High temp.Plastic UL94 V-0 Color Black	_____
2	Body	3	Leaded Brass	Gold plating over Nickel plating
3	Plunger	3	Leaded Brass	Gold plating over Nickel plating
4	Spring	3	Stainless steel wire	_____
5	CAP	1	High temp.Plastic UL94 V-0 Color Black	_____



Recommended PCB Layout



Max.working height	4.20mm	80±20gf <3.1>
Min.working height	3.70mm	110±30gf
Durability	10000cycle	



Notes:

- 1 Dimensions shall be interpreted per ASME Y14.5M.
- 2 Mechanical performance(See the table 1)
<3.1>The force is the average of forces obtained when plunger goes downwards and upwards.
<3.2>Warning: Working height are not permitted to be less than Min working height.
- 3 Electrical performance
Resistance: 30mOhm Max.Current rating: 2.0A
- 4 Packaging Spec.Comformance to EIA 481
- 5 RoHS complaint.

DIST

Rev.	Revision record.	Date.
	Renewal	2011/06/07
	NEW	2008/12/22

Top-Link Electronics Ltd.		Type Customer drawing	Unit mm	Weight
TOLERANCES UNLESS OTHER SPECIFIED		DWN: Qin Zuozhong	APVD:	PEXON
0. = ± -		CHK:	REL:	
0.0 = ± 0.15		Name Customer drawing PGC-1.5-5.0-R-3P-2.54PH		
0.00 = ± 0.10		Scale 1:1	Size A4	DWG No. C-100453
0.000 = ± -		Page 1/1		Rev. B
Angle: ±1°				
SURF TEXTURE: REMOVE BURRS. BREAK SHARP EDGES R0.05 MAX.DO NOT SCALE PRINT.				

100453-3
PART NUMBER



PEXON

E-mail: sale@pinconnector.com

WhatsApp: +86-13361867201

www.pinconnector.com