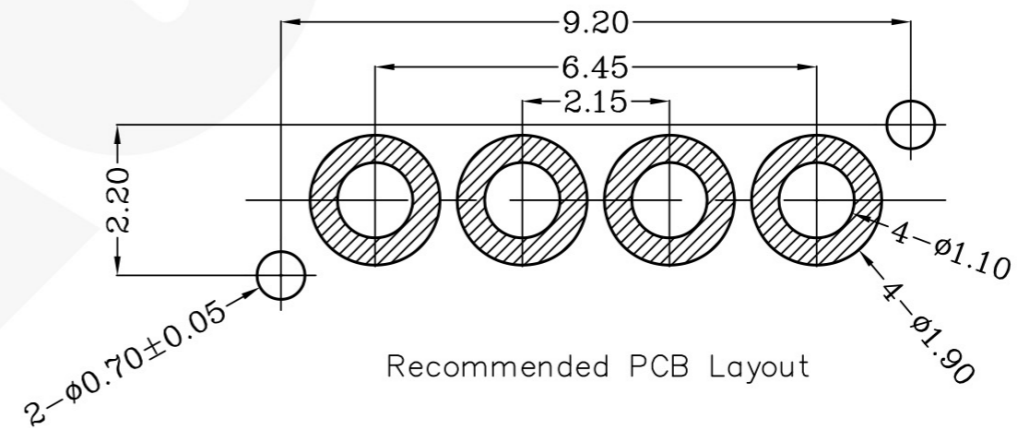
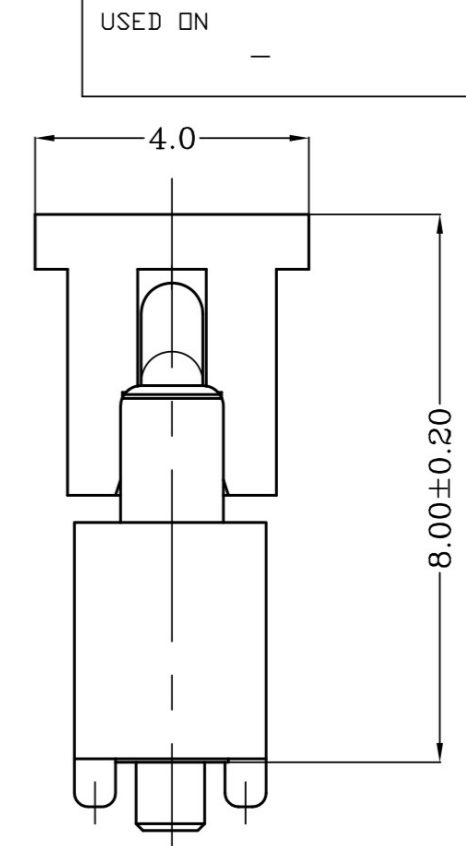
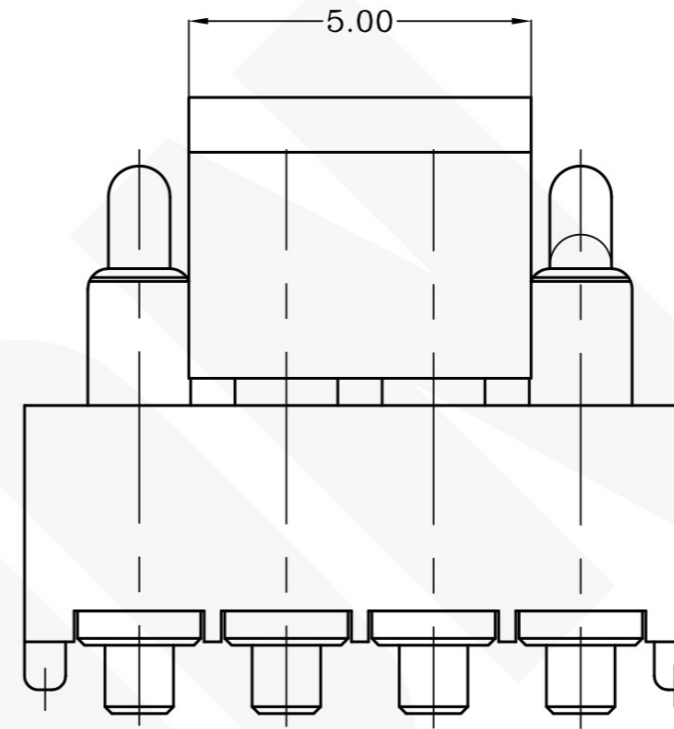
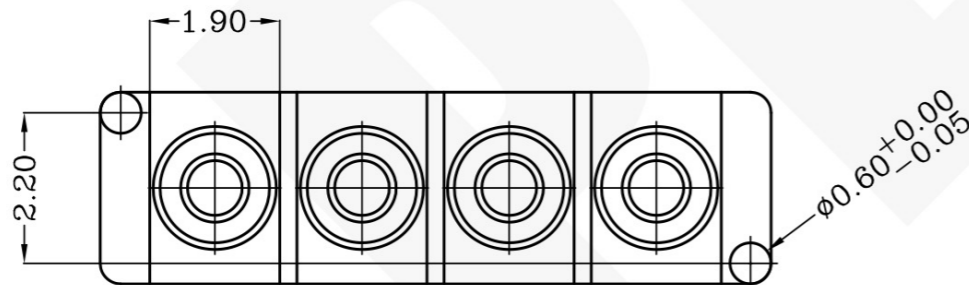
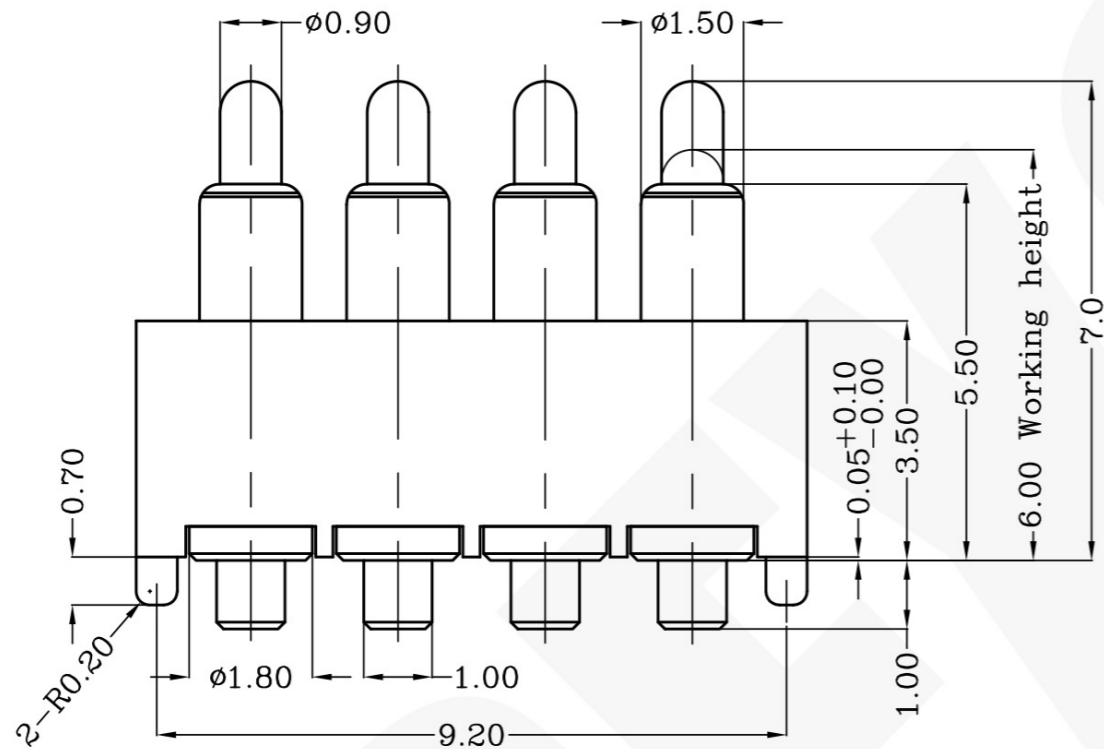
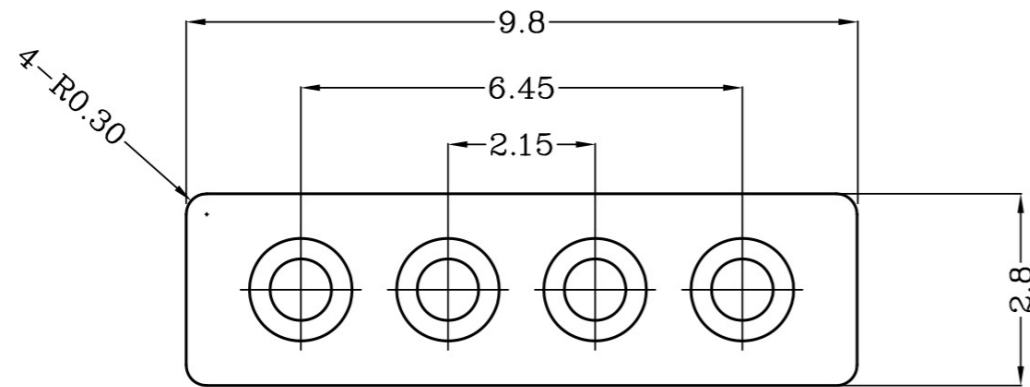


THIS INFORMATION IS CONFIDENTIAL AND IS DISCLOSED TO YOU ON CONDITION THAT NO FURTHER DISCLOSURE IS MADE BY YOU TO OTHER THAN PEXON PERSONNEL WITHOUT WRITTEN AUTHORIZATION FROM PEXON LTD.

DWG NO.
C-100646



Recommended PCB Layout

Notes:

1 Material, Housing: PA 4.6 (30% Glass Filled)
Color Black.

Contact: Brass

2 Mechanical demands:

Plating Plunger: 0.4um Au over 1.4um Ni

Plating Body: 0.1um Au over 1.4um Ni.

USED ON	-
---------	---

100646-4
PART NUMBER

DIMENSIONS IN MM
TOLERANCES UNLESS
OTHER SPECIFIED
0 = ±-
0.0 = ±0.15
0.00 = ±0.10
0.000 = ±
ANGLE: ±1°
SURF TEXTURE: 3.2/
REMOVE BURRS. BREAK
SHARP EDGES R0.05 MAX
DO NOT SCALE PRINT

MATL	△ 1	HT TR	-	FIN	- ✓
DWN	Qin	APVD		Pexon	
CHK		REL			
NAME	PGO 4P PGC-1.5-7.0-R-4P-2.15PH				
SCALE	1:1	A4	DWG NO. C-100646	SHEET 1 OF 1	REV A

LDC	-
DIST	-

LTR	NEW	APVD	DATE
	REVISION RECORD		2010/11/02

4

3

2

1

D

C

B

A



PEXON

E-mail: sale@pinconnector.com

WhatsApp: +86-13361867201

www.pinconnector.com